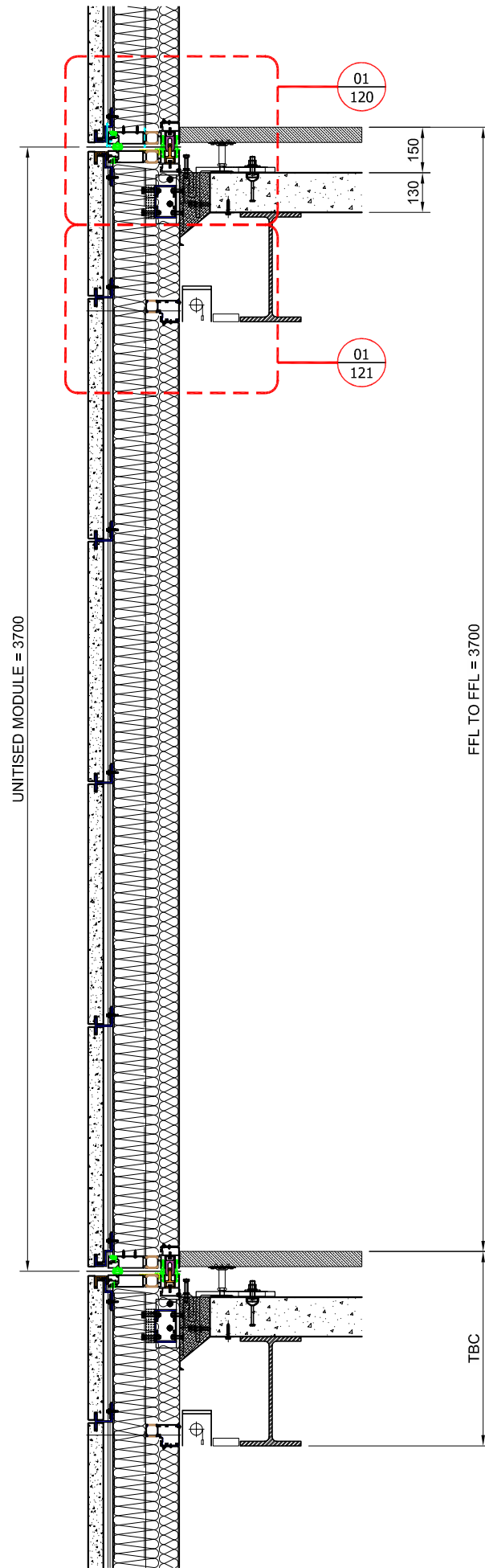
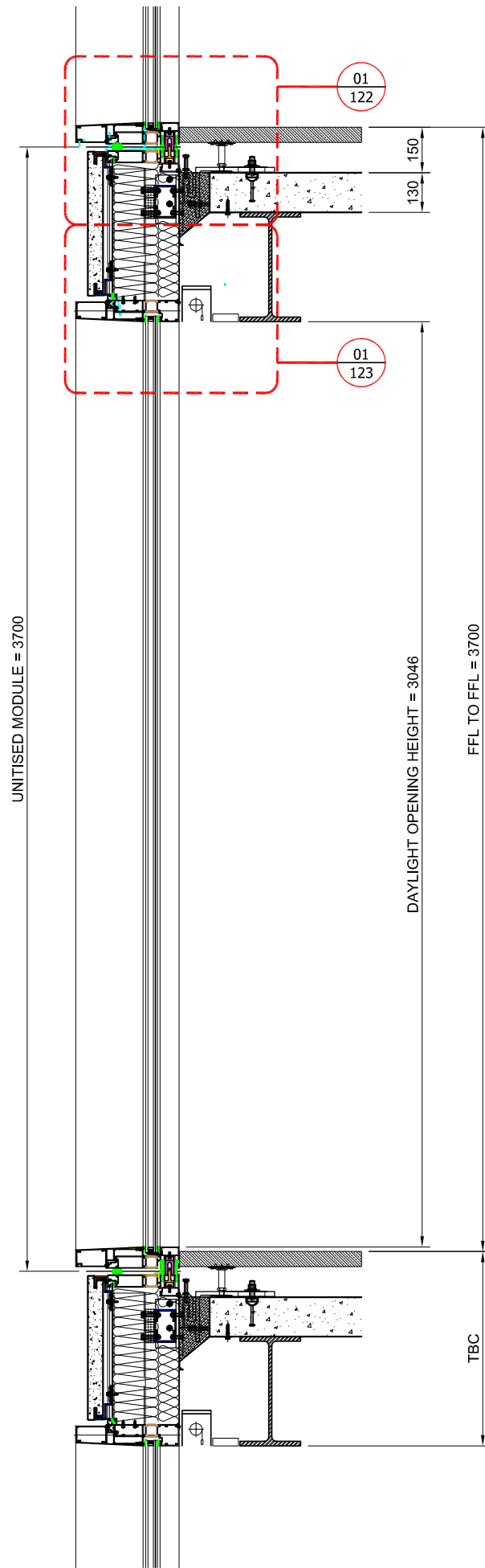


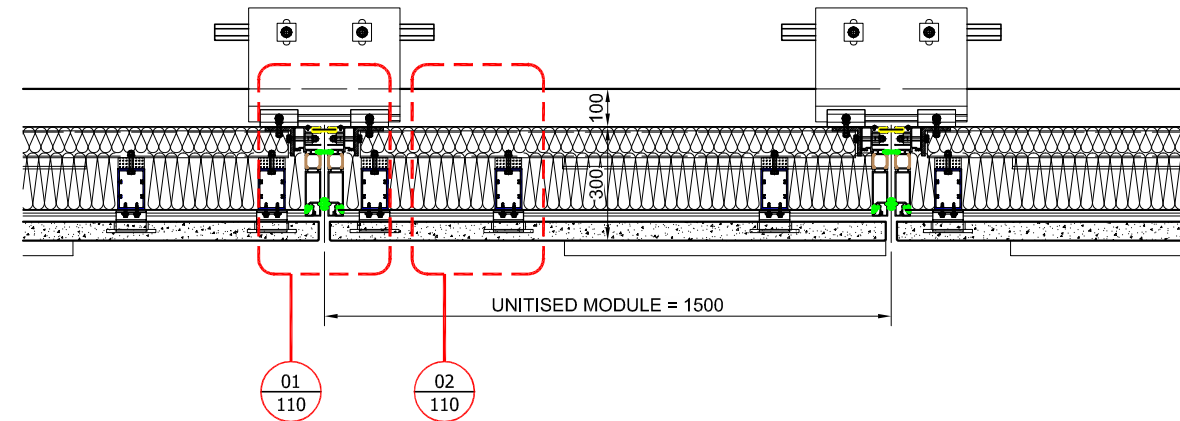
FOR TOLERANCES SEE
GENERAL NOTES PAGE



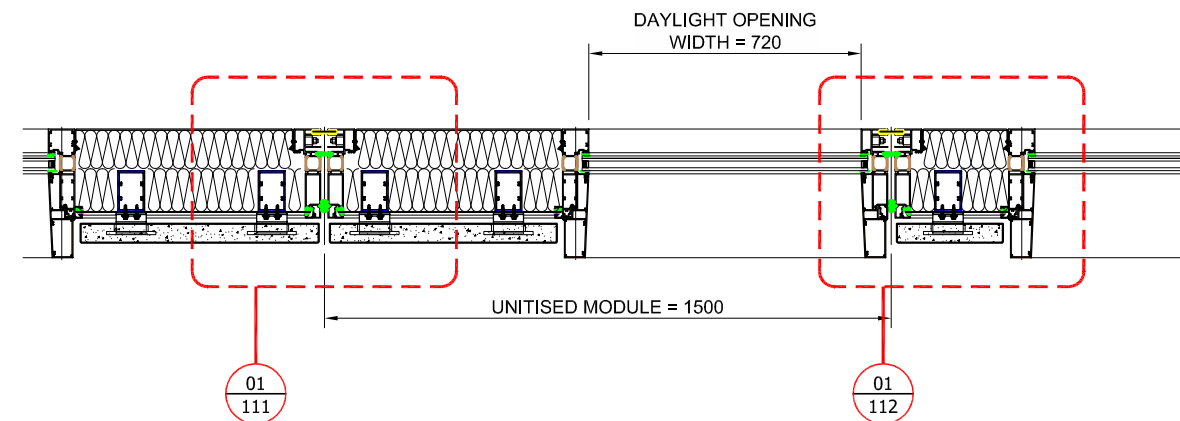
01 SECTION
Scale: 1:20



02 SECTION
Scale: 1:20



03 SECTION
Scale: 1:20



04 SECTION
Scale: 1:20

DO NOT SCALE : IF IN DOUBT ASK!

THIS DRAWING REMAINS THE PROPERTY OF McMULLEN FACADES LTD AND SHOULD NOT BE COPIED NOR ITS CONTENTS DIVULGED WITHOUT PRIOR CONSENT

Signed: ST Internal Quality Check
Date: 15/02/2016

A	MJ	ST	15/02/16	GENERAL AMENDMENTS	15/02/16
---	----	----	----------	--------------------	----------

No.	Intd	Intd	Date		
Revision	Check	Description	Date		

Contract: Kings Cross - S2

Architect: Mossessian Architecture

Main Contractor: Carillion

Drawing: Typical Bay Plans & Sections
Type 1

Drawn By: A Shepherd Date: 16/11/15

Scale: 1:20 @ A3 MFL No.: 3129-514

DMS Code: KXC-S2-001-Y-3129-21-514 Revision: A

DRAWING STATUS
STATUS INDICATES:
A - DRAWING FULLY APPROVED
B - APPROVED SUBJECT TO COMMENT
C - DRAWING NOT APPROVED

McMullen Facades Limited
66 Lurgan Road, Moira,
Craigavon, Co. Armagh BT67 0LX
Tel: +44 (0) 28 9261 9688
Fax: +44 (0) 28 9261 9711
Email: design@mcmullenfacades.com