




NEAL'S YARD REMEDIES THERAPY ROOMS

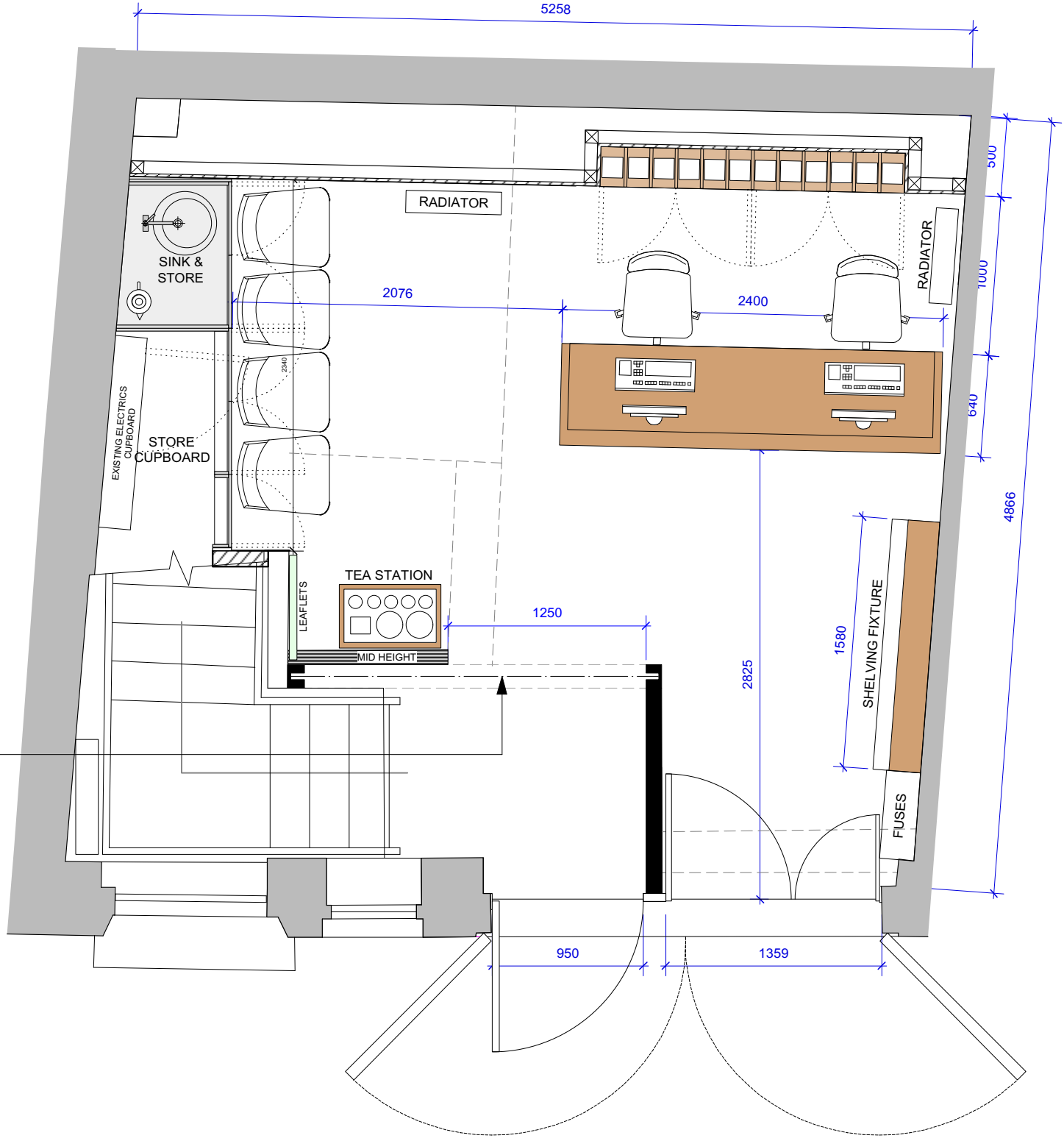
23-8-16



t. +44 (0)20 7504 7115
e. hello@brace-studio.com
w. www.brace-studio.com

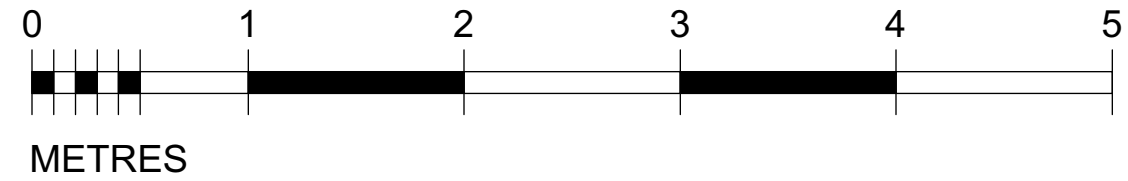
brace.

PARTITIONING LEGEND	
	EXISTING PARTITIONS
	NEW NON FIRE RATED PARTITIONS OR BOXING OUT
	NEW PARTITIONS TO PROVIDE HALF HOUR FIRE RESISTANCE OR ONE HOUR AS INDICATED



FIRE CURTAIN REPOSITIONED TO ALIGN WITH STAIRS AND SHOPFRONT, CREATING MORE CIRCULATION SPACE TO THE SEATING AREA

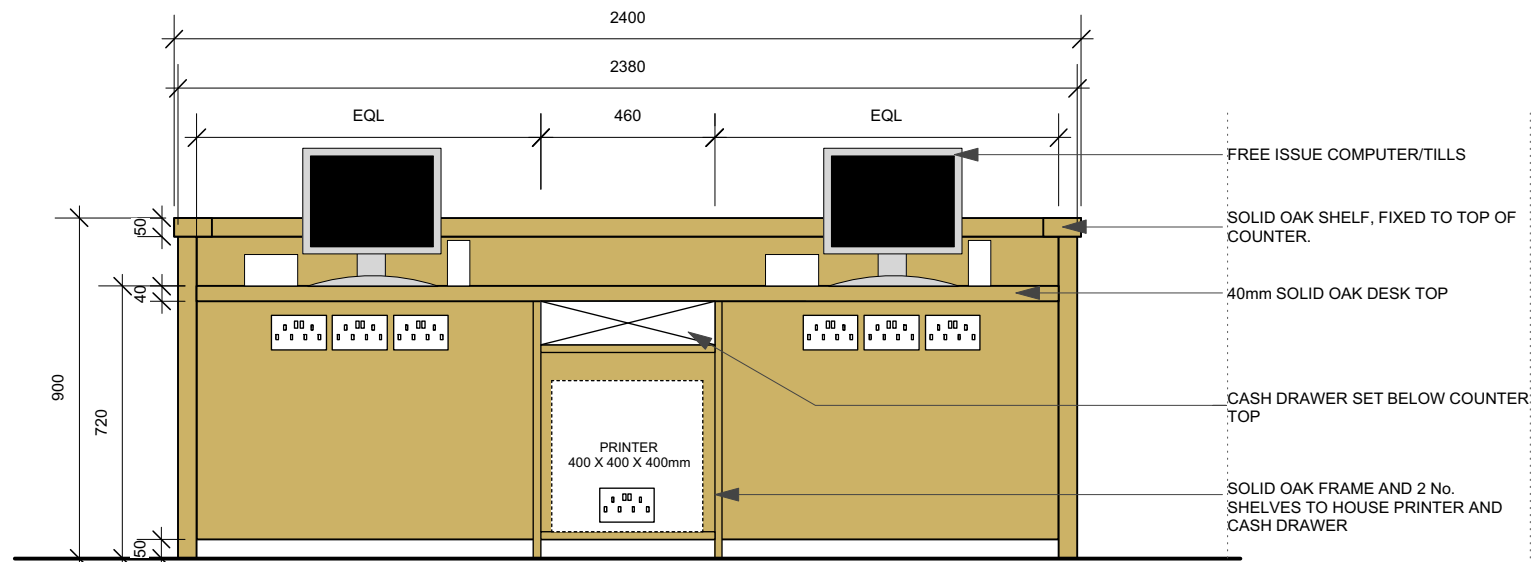
PROPOSED GENERAL ARRANGEMENT PLAN.
1:35 @ A3



Revision	Date	Description	Revision	Date	Description

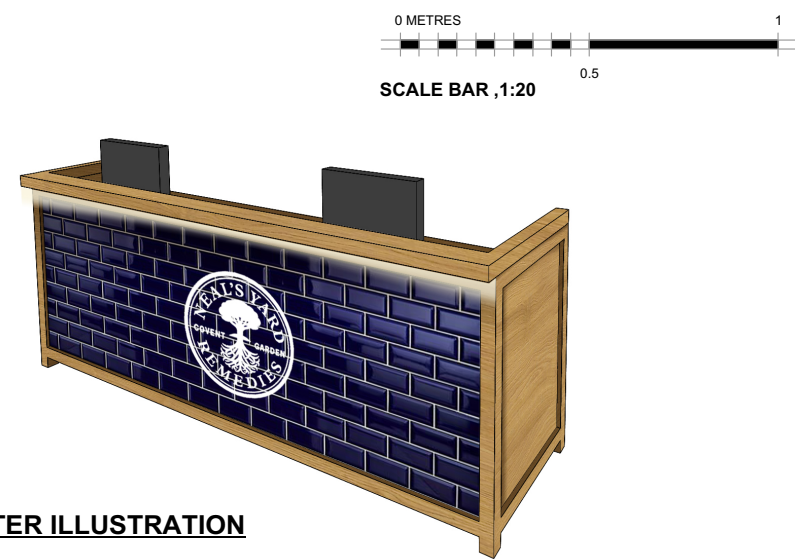
PRELIMINARY DRAWING

Scale	As shown @ A3	Drawing Title	PROPOSED GA	Job Number	012
Drawn by	LSK	Project	THERAPY ROOMS	Drawing Number	002
Date	AUGUST 2016	Client	NEAL'S YARD REMEDIES	Revision	-

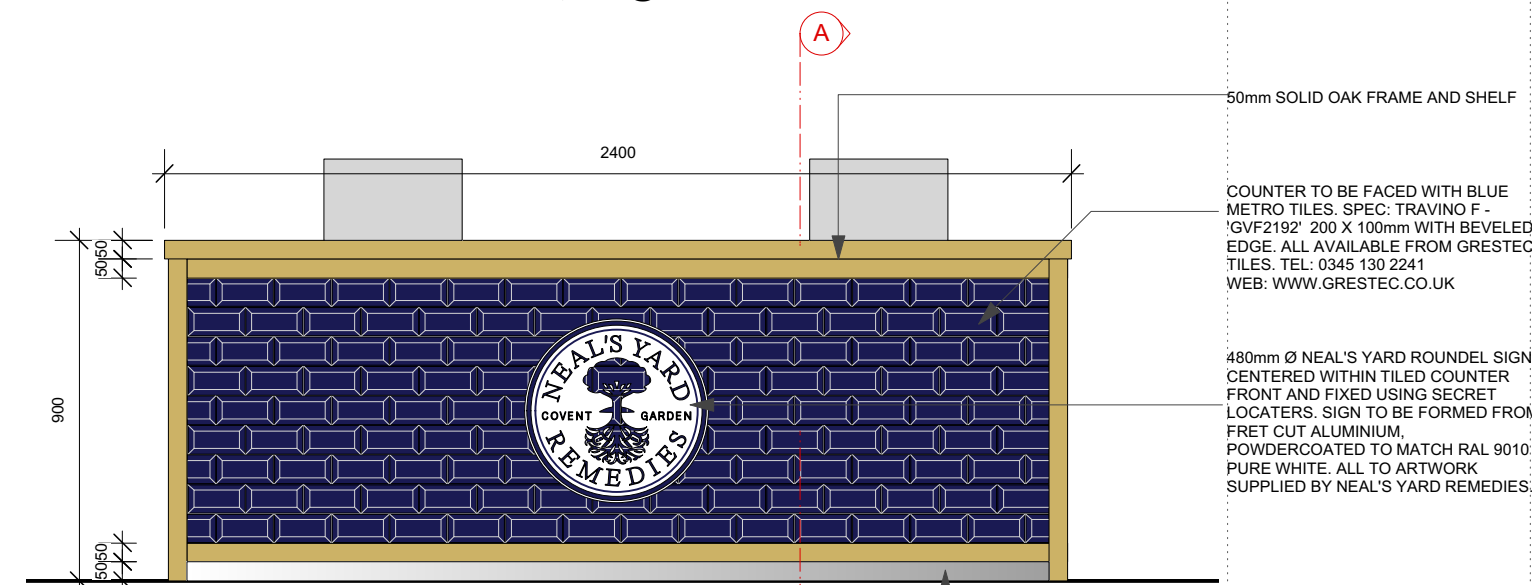


PROPOSED REAR ELEVATION, 1:20 @ A3

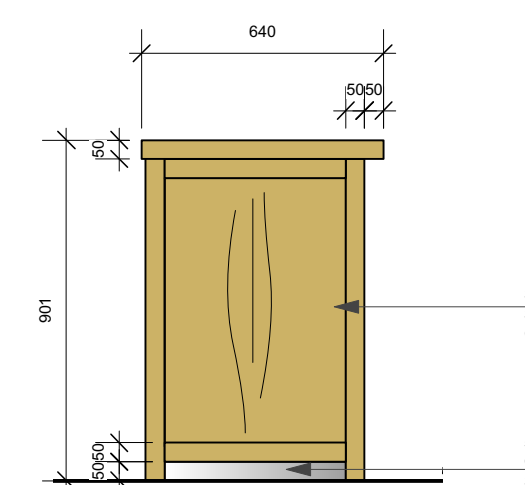
GENERAL NOTES:
 NOTE: OAK TO MATCH ATKINSON & KIRKBY WHITE OAK '527010' AND TO BE FINISHED WITH MATT LACQUER
 ALL OAK TO BE FSC CERTIFIED
 TO EACH OPERATOR PROVIDE THE FOLLOWING POWER:
 3 No. DOUBLE POWER SOCKETS
 2 No. DATA POINTS
 ALLOW FOR AN ADDITIONAL DOUBLE POWER SOCKET LOCATED BEHIND PRINTER SHELF.



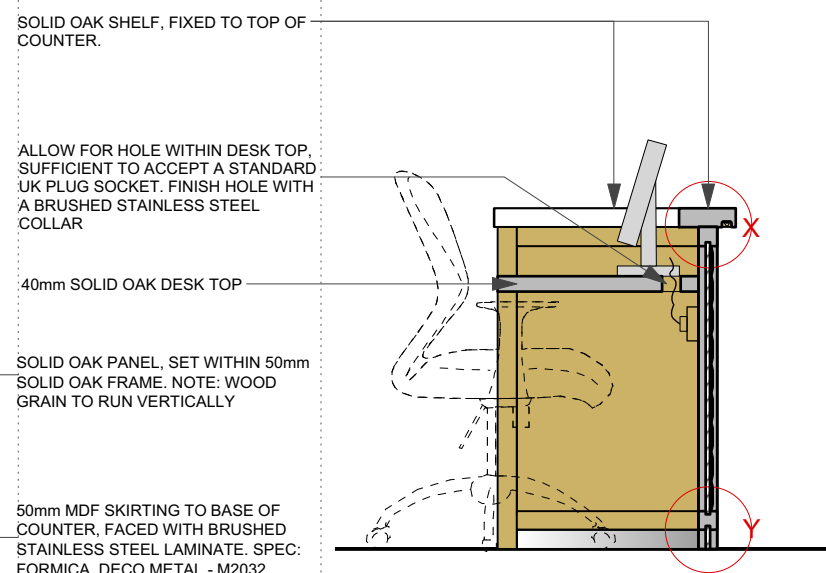
COUNTER ILLUSTRATION



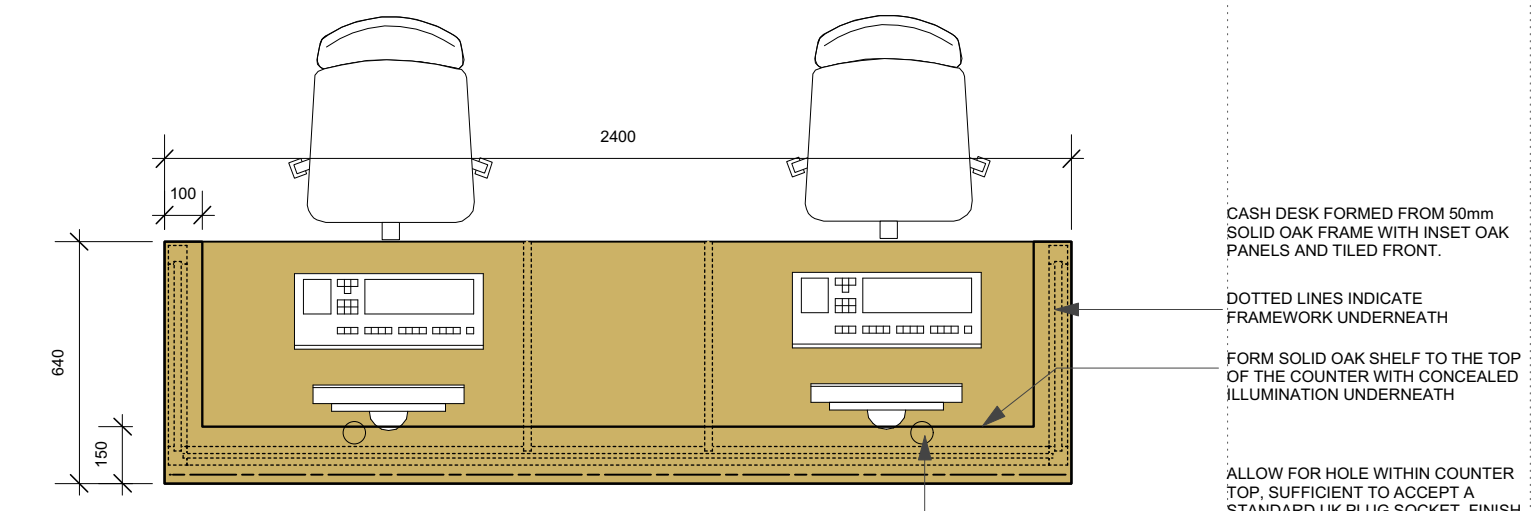
PROPOSED FRONT ELEVATION, 1:20 @ A3



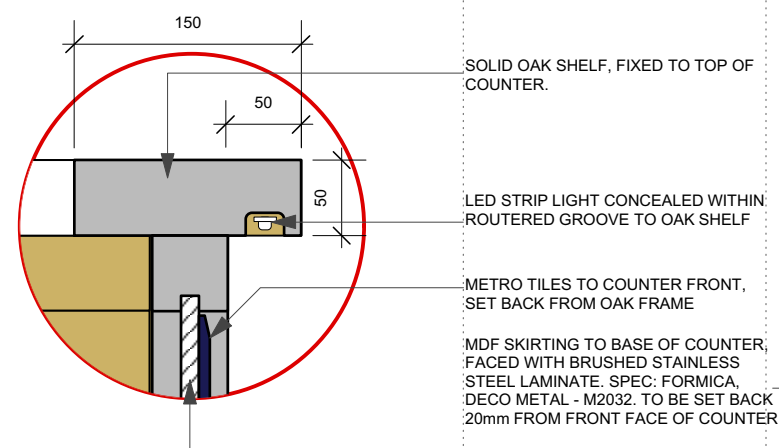
PROPOSED SIDE ELEVATION, 1:20 @ A3



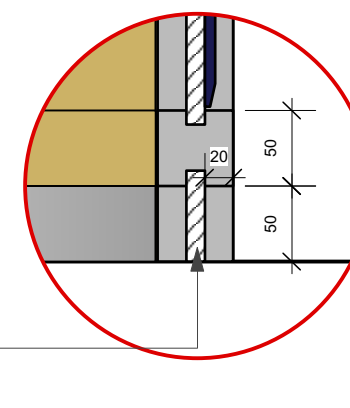
PROPOSED SECTION 'A-A', 1:20 @ A3



PROPOSED PLAN, 1:20 @ A3



DETAIL X, 1:5 @ A3



DETAIL Y, 1:5 @ A3



t. +44 (0)20 7504 7115
 e. hello@brace-studio.com
 w. www.brace-studio.com

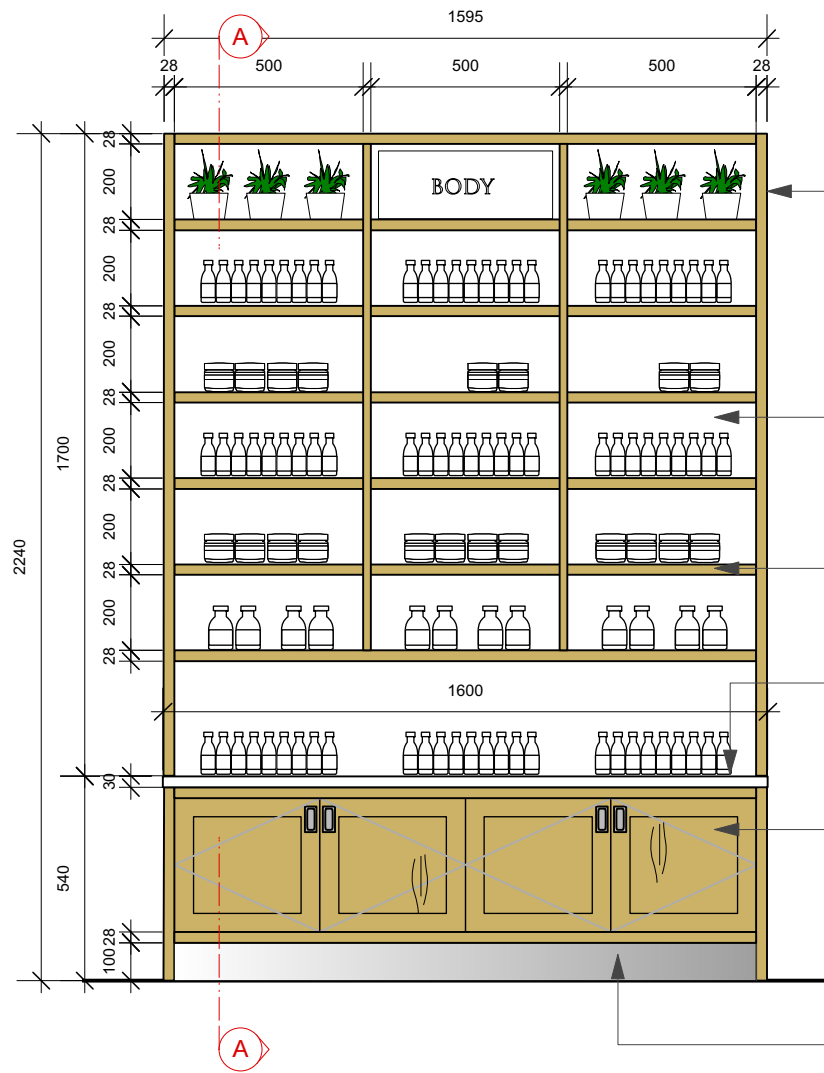
This drawing is the property of Brace Studio. Copyright is reserved by Brace Studio and is issued on the condition that it is not copied or disclosed by or to any unauthorised persons without prior written consent from Brace Studio.

This drawing is for design intent only and should not be scaled. No responsibility is accepted for errors and/or omissions arising from the adoption of this drawn information by others. The contractor should check all dimensions on site and report to Brace Studio should any discrepancy become apparent. It remains the responsibility of the user of this drawing to ensure all materials identified comply with Building Control and Fire Officer requirements.

Revision	Date	Description	Revision	Date	Description

PRELIMINARY DRAWING

Scale	As shown @ A3	Drawing Title	RECEPTION COUNTER DETAIL	Job Number	012
Drawn by	CMD	Project	THERAPY ROOMS	Drawing Number	007
Date	AUGUST 2016	Client	NEAL'S YARD REMEDIES	Revision	-



PROPOSED FRONT ELEVATION, 1:20 @ A3

OAK VENEER SHELVING UNIT WITH BACK PANEL, FORMED INDEPENDENTLY OF BASE UNIT. SHELVING UNIT TO BE POSITIONED ON TOP OF BASE UNIT & FIXED BACK TO WALL, GIVING THE OVERALL APPEARANCE OF ONE CABINET.

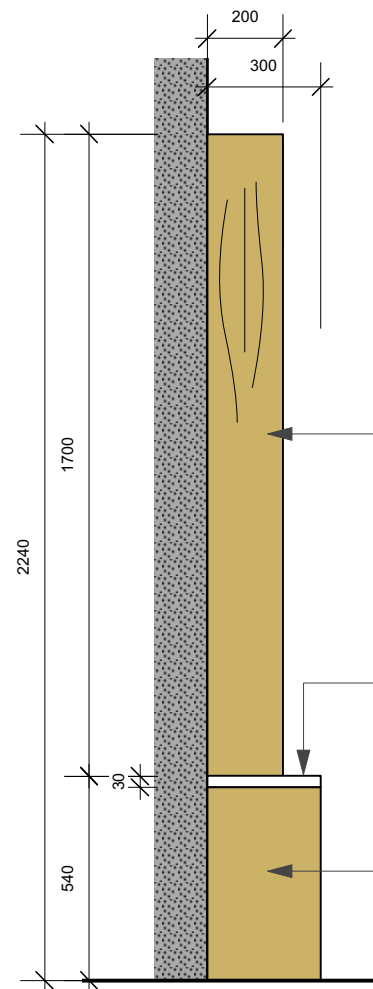
TIMBER BACK PANEL TO SHELVING UNIT TO BE FINISHED WITH FARROW & BALL SLIPPER SATIN PAINT.

OAK VENEER SHELVES WITH CONCEALED ILLUMINATION BENEATH - SEE DETAIL X

FIT ENGINEERED WHITE QUARTZSTONE WORKTOP TO BASE UNIT - SPEC: LONDON GREY 5000 MANUFACTURED BY CAESARSTONE. WEB: WWW.CAESARSTONE.CO.UK

FORM FREESTANDING OAK VENEER BASE UNIT, WITH 4 No. 20mm OAK VENEER PANELED DOORS. DOORS TO BE FITTED WITH FLUSH PULL HANDLES, SPEC: SATIN NICKEL FINISHED FLUSH PULL HANDLE '29021'. AVAILABLE FROM SDS LONDON. TEL: 02072281175. WEB: WWW.SDSLONDON.CO.UK NOTE: WOOD GRAIN TO RUN VERTICALLY

FORM 100mm MDF SKIRTING TO BASE OF CABINET AND FACE WITH BRUSHED STAINLESS STEEL LAMINATE. SPEC: FORMICA, DECO METAL - M2032.

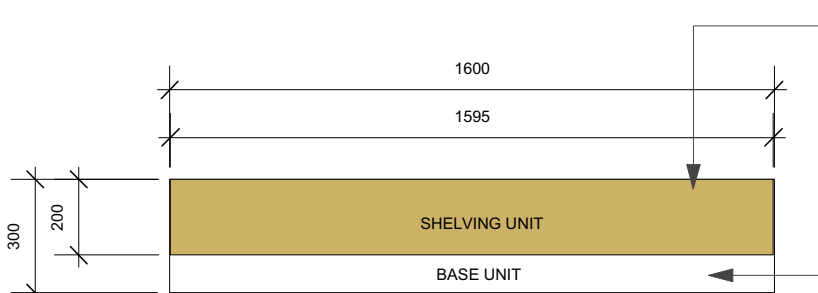


SIDE ELEVATION, 1:20 @ A3

OAK VENEER SIDES TO SHELVING UNIT. NOTE: WOOD GRAIN TO RUN VERTICALLY

FIT ENGINEERED WHITE QUARTZSTONE WORKTOP TO BASE UNIT - SPEC: LONDON GREY 5000 MANUFACTURED BY CAESARSTONE. WEB: WWW.CAESARSTONE.CO.UK

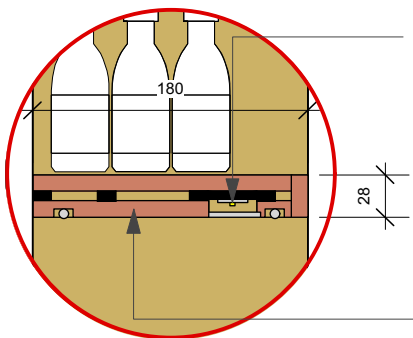
OAK VENEER SIDES, TO BASE UNIT



PROPOSED PLAN, 1:20 @ A3

CABINET TO BE FORMED IN TWO PIECES - LOWER FREESTANDING OAK VENEER BASE UNIT, WITH CUPBOARDS AND QUARTZSTONE TOP & OAK VENEER SHELVING UNIT, WITH PAINTED BACK PANEL. SHELVING UNIT TO BE POSITIONED ON TOP OF BASE UNIT AND FIXED BACK TO WALL, GIVING THE OVERALL APPEARANCE OF ONE CABINET.

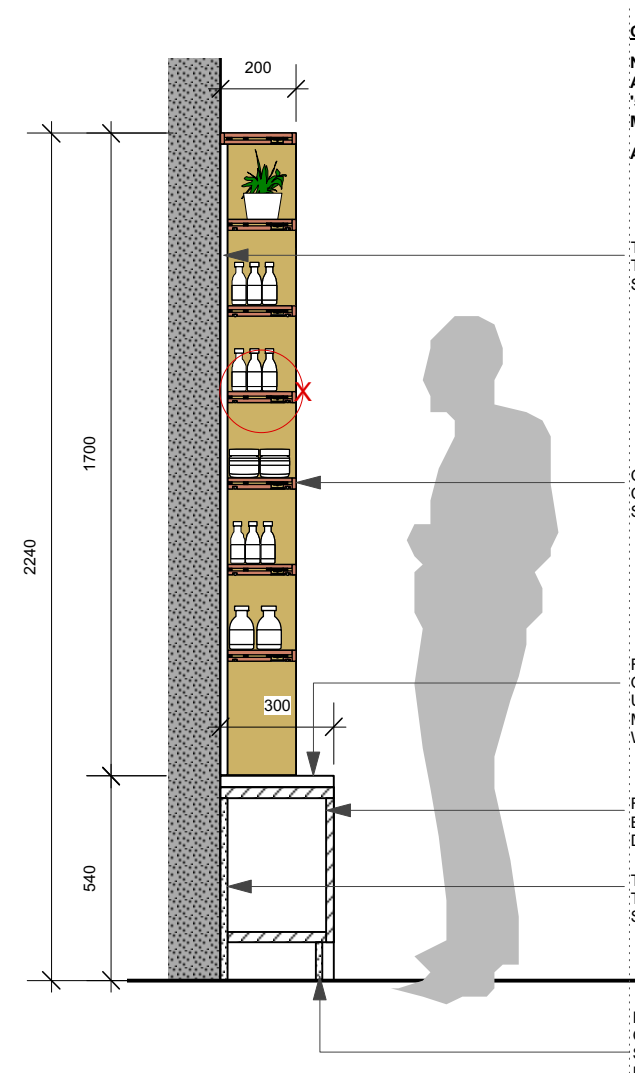
FIT ENGINEERED WHITE QUARTZSTONE WORKTOP TO BASE UNIT - SPEC: LONDON GREY 5000 MANUFACTURED BY CAESARSTONE. WEB: WWW.CAESARSTONE.CO.UK



DETAIL X, 1:5 @ A3

RECESSED LED RIBBON LIGHT TO UNDERSIDE OF SHELF. POWER TO BE RUN THROUGH BACK OF UNIT. FIT OPAL DIFFUSER TO UNDERSIDE TO PREVENT SPOTTING OF LED LIGHTS.

OAK VENEER SHELVES TO BE FIXED BACK TO SIDE PANEL. ALL FIXINGS TO BE FULLY CONCEALED.



SECTION 'A-A', 1:20 @ A3

GENERAL NOTES:

NOTE: OAK VENEER TO MATCH ATKINSON & KIRKBY WHITE OAK '527010' AND TO BE FINISHED WITH MATT LACQUER

ALL OAK TO BE FSC CERTIFIED

TIMBER BACK PANEL TO SHELVING UNIT TO BE FINISHED WITH FARROW & BALL SLIPPER SATIN.

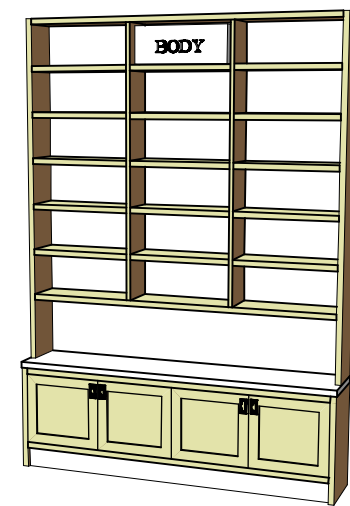
OAK VENEER SHELVES WITH CONCEALED ILLUMINATION BENEATH - SEE DETAIL X

FIT ENGINEERED WHITE QUARTZSTONE WORKTOP TO BASE UNIT - SPEC: LONDON GREY 5000 MANUFACTURED BY CAESARSTONE. WEB: WWW.CAESARSTONE.CO.UK

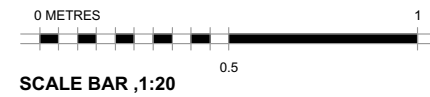
FORM FREESTANDING OAK VENEER BASE UNIT WITH 4 No. CUPBOARD DOORS.

TIMBER BACK PANEL TO UNIT, PAINTED TO MATCH FARROW & BALL SLIPPER SATIN

FORM 100mm MDF SKIRTING TO BASE OF CABINET AND FACE WITH BRUSHED STAINLESS STEEL LAMINATE. SPEC: FORMICA, DECO METAL - M2032.



CABINET ILLUSTRATION

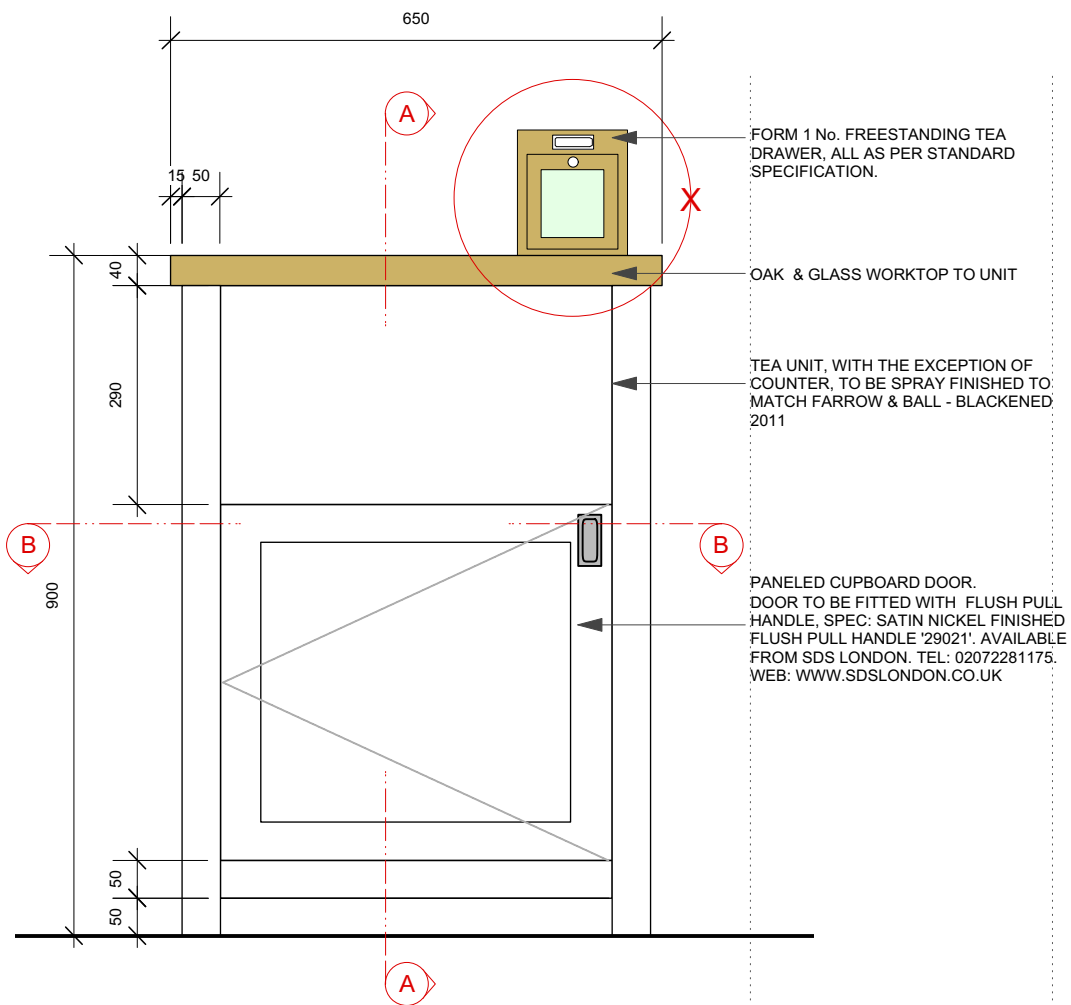


SCALE BAR, 1:20

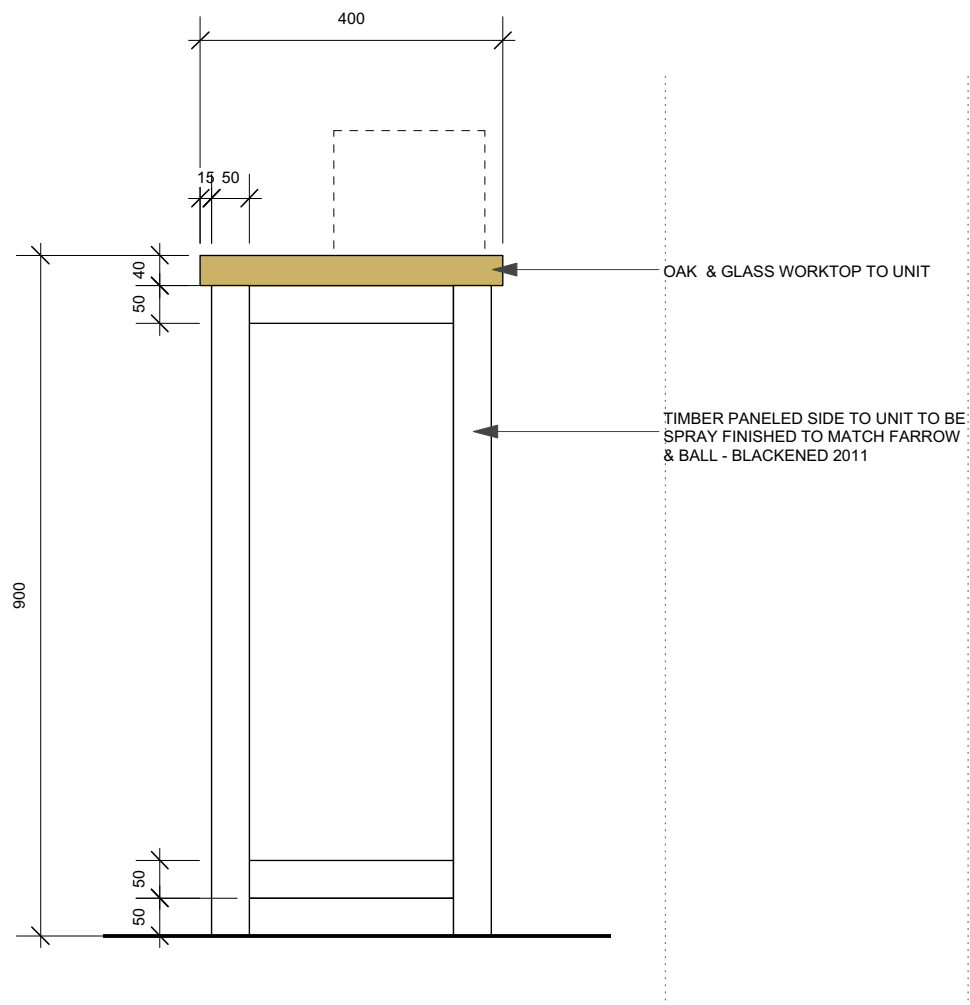
Revision	Date	Description	Revision	Date	Description

Scale	As shown @ A3	Drawing Title	RETAIL UNIT DETAIL	Job Number	012
Drawn by	CMD	Project	THERAPY ROOMS	Drawing Number	008
Date	AUGUST 2016	Client	NEAL'S YARD REMEDIES	Revision	-

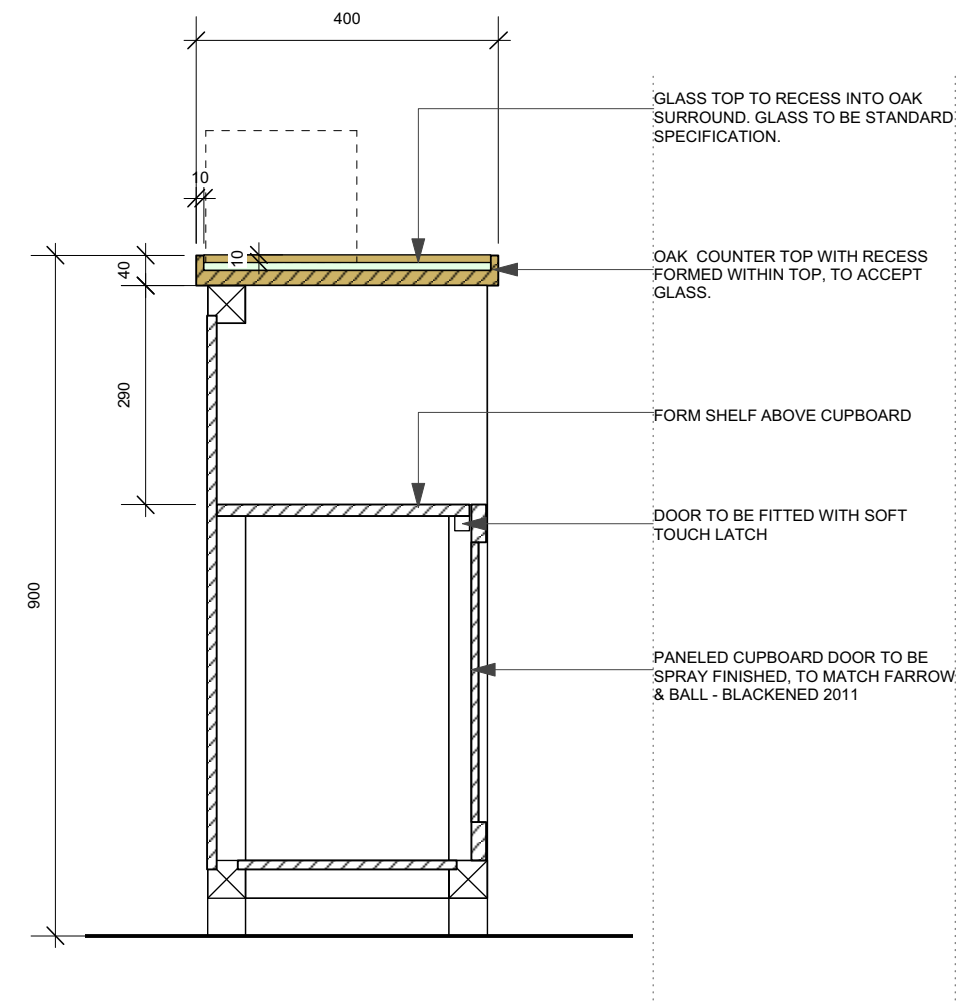
PRELIMINARY DRAWING



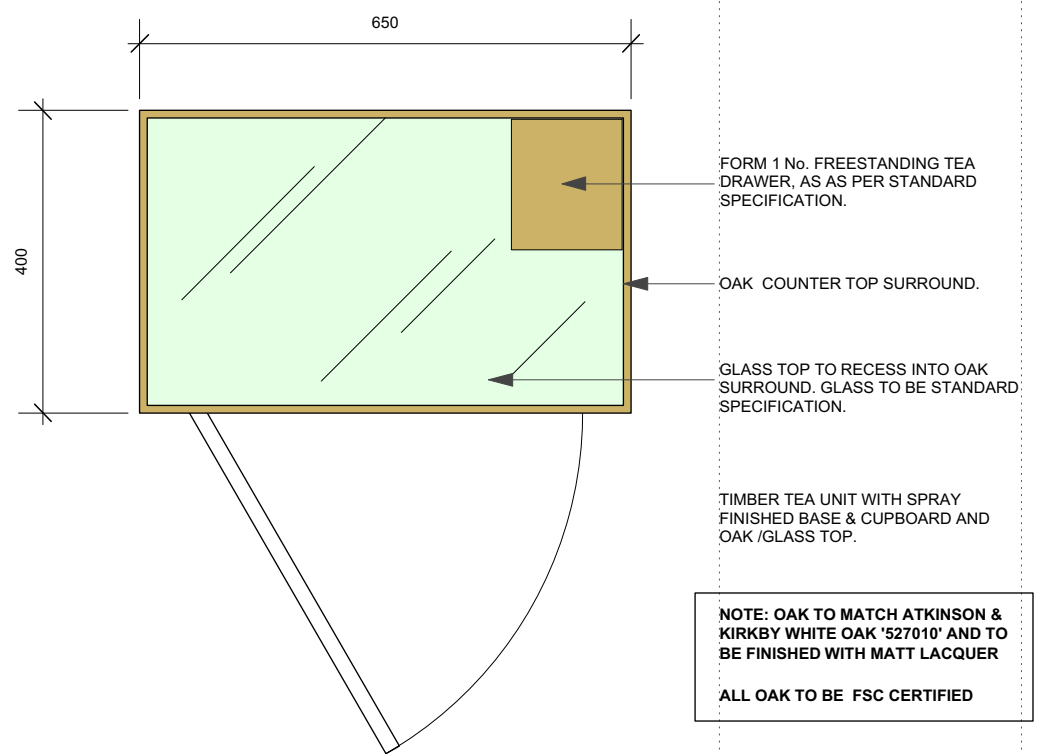
PROPOSED FRONT ELEVATION, 1:10 @ A3



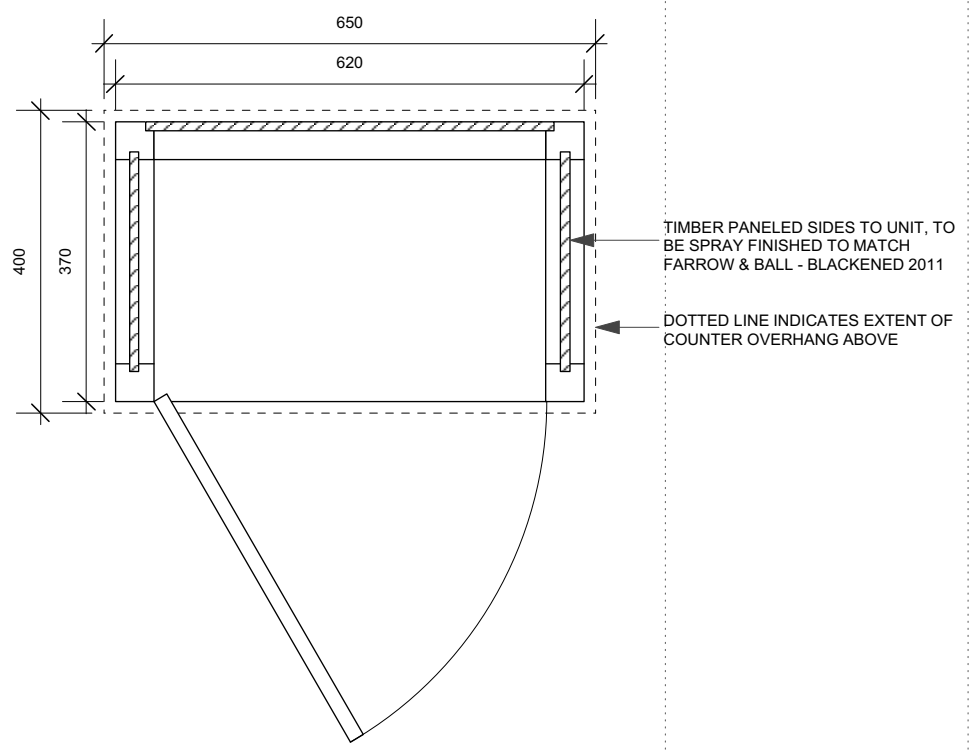
PROPOSED SIDE ELEVATION, 1:10 @ A3



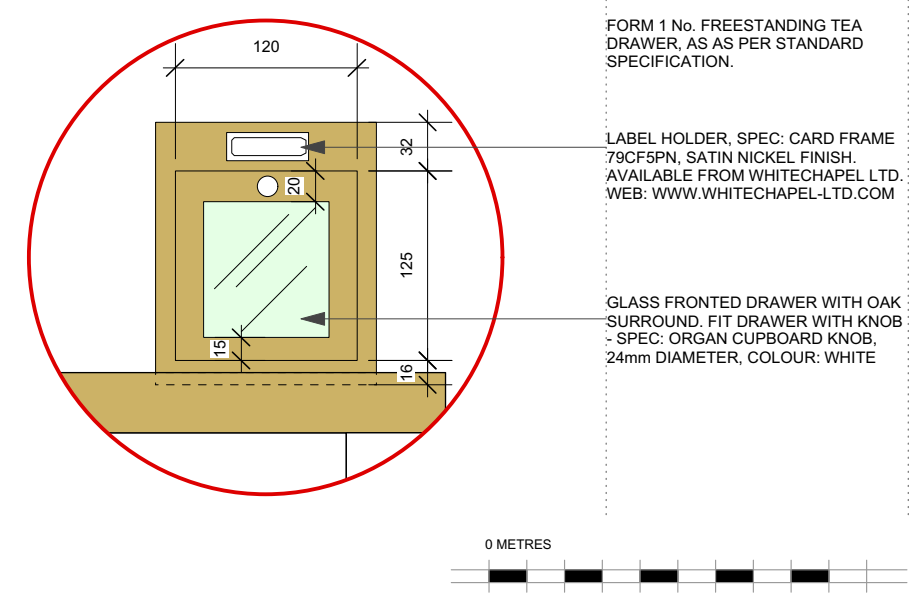
PROPOSED SECTION 'A-A', 1:10 @ A3



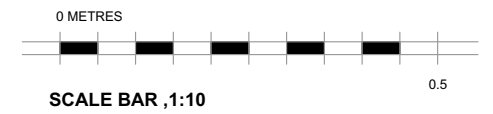
PROPOSED PLAN, 1:10 @ A3



PLAN SECTION 'B-B', 1:10 @ A3



DETAIL X, 1:5 @ A3



FORM 1 No. FREESTANDING TEA DRAWER, ALL AS PER STANDARD SPECIFICATION.

OAK & GLASS WORKTOP TO UNIT

TEA UNIT, WITH THE EXCEPTION OF COUNTER, TO BE SPRAY FINISHED TO MATCH FARROW & BALL - BLACKENED 2011

PANELED CUPBOARD DOOR. DOOR TO BE FITTED WITH FLUSH PULL HANDLE, SPEC: SATIN NICKEL FINISHED FLUSH PULL HANDLE '29021'. AVAILABLE FROM SDS LONDON. TEL: 02072281175. WEB: WWW.SDSLONDON.CO.UK

OAK & GLASS WORKTOP TO UNIT

TIMBER PANELED SIDE TO UNIT TO BE SPRAY FINISHED TO MATCH FARROW & BALL - BLACKENED 2011

GLASS TOP TO RECESS INTO OAK SURROUND. GLASS TO BE STANDARD SPECIFICATION.

OAK COUNTER TOP WITH RECESS FORMED WITHIN TOP, TO ACCEPT GLASS.

FORM SHELF ABOVE CUPBOARD

DOOR TO BE FITTED WITH SOFT TOUCH LATCH

PANELED CUPBOARD DOOR TO BE SPRAY FINISHED, TO MATCH FARROW & BALL - BLACKENED 2011

FORM 1 No. FREESTANDING TEA DRAWER, AS PER STANDARD SPECIFICATION.

OAK COUNTER TOP SURROUND.

GLASS TOP TO RECESS INTO OAK SURROUND. GLASS TO BE STANDARD SPECIFICATION.

TIMBER TEA UNIT WITH SPRAY FINISHED BASE & CUPBOARD AND OAK /GLASS TOP.

NOTE: OAK TO MATCH ATKINSON & KIRKBY WHITE OAK '527010' AND TO BE FINISHED WITH MATT LACQUER

ALL OAK TO BE FSC CERTIFIED

TIMBER PANELED SIDES TO UNIT, TO BE SPRAY FINISHED TO MATCH FARROW & BALL - BLACKENED 2011

DOTTED LINE INDICATES EXTENT OF COUNTER OVERHANG ABOVE

FORM 1 No. FREESTANDING TEA DRAWER, AS PER STANDARD SPECIFICATION.

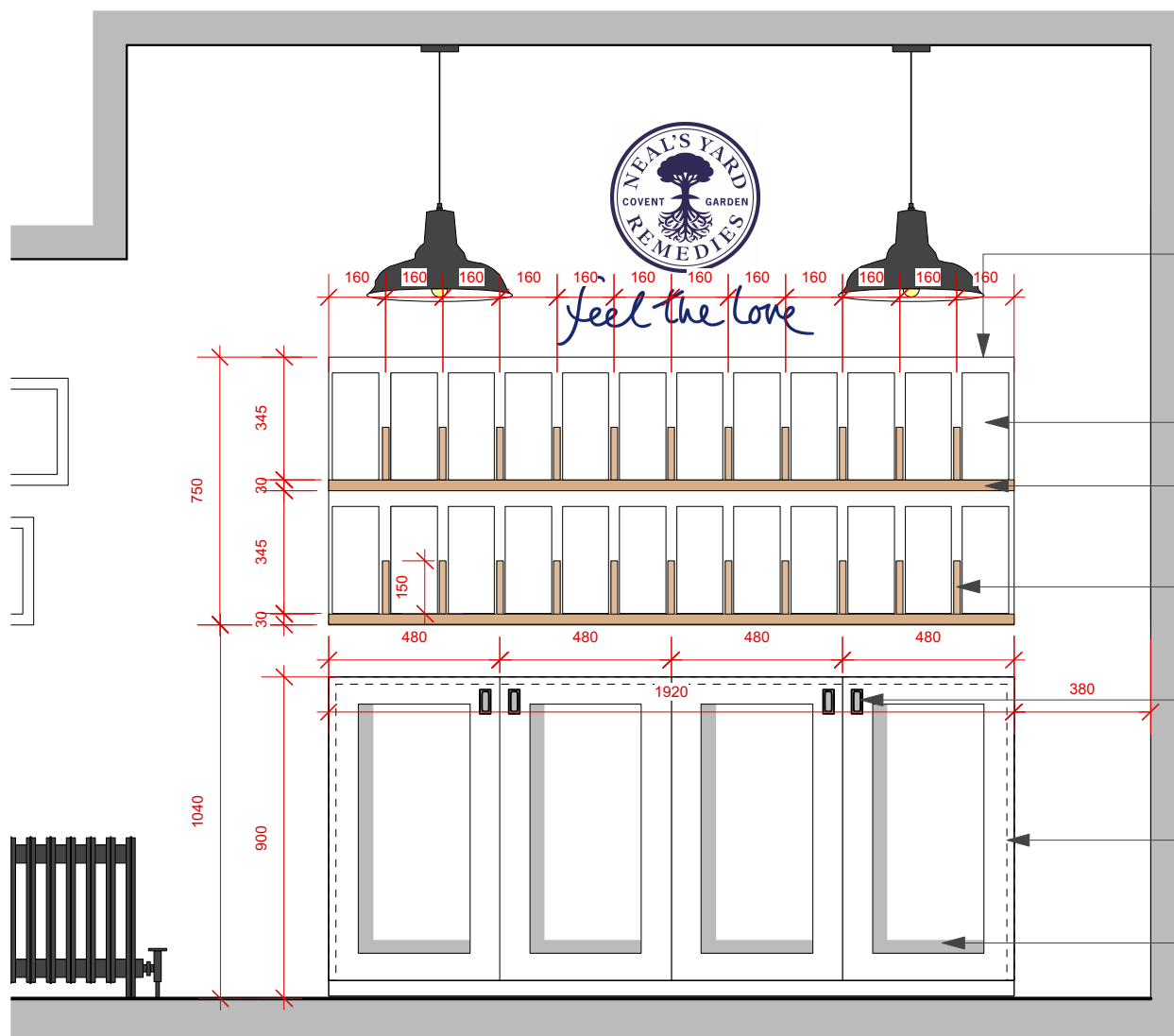
LABEL HOLDER, SPEC: CARD FRAME 79CF5PN, SATIN NICKEL FINISH. AVAILABLE FROM WHITECHAPEL LTD. WEB: WWW.WHITECHAPEL-LTD.COM

GLASS FRONTED DRAWER WITH OAK SURROUND. FIT DRAWER WITH KNOB - SPEC: ORGAN CUPBOARD KNOB, 24mm DIAMETER, COLOUR: WHITE

Revision	Date	Description	Revision	Date	Description

PRELIMINARY DRAWING

Scale	As shown @ A3	Drawing Title	TEA UNIT DETAIL	Job Number	012
Drawn by	CMD	Project	THERAPY ROOMS	Drawing Number	009
Date	AUGUST 2016	Client	NEAL'S YARD REMEDIES	Revision	-



PROPOSED ELEVATION, 1:20 @ A3

FORM NICHE WITHIN NEW PLASTERBOARD STUD PARTITION. LINE ALL FACES WITH PLASTERBOARD AND PAINT WITH FARROW & BALL SLIPPER SATIN ESTATE EMULSION.

FREE ISSUE HERB JARS - H300mm x W130mm x D130mm

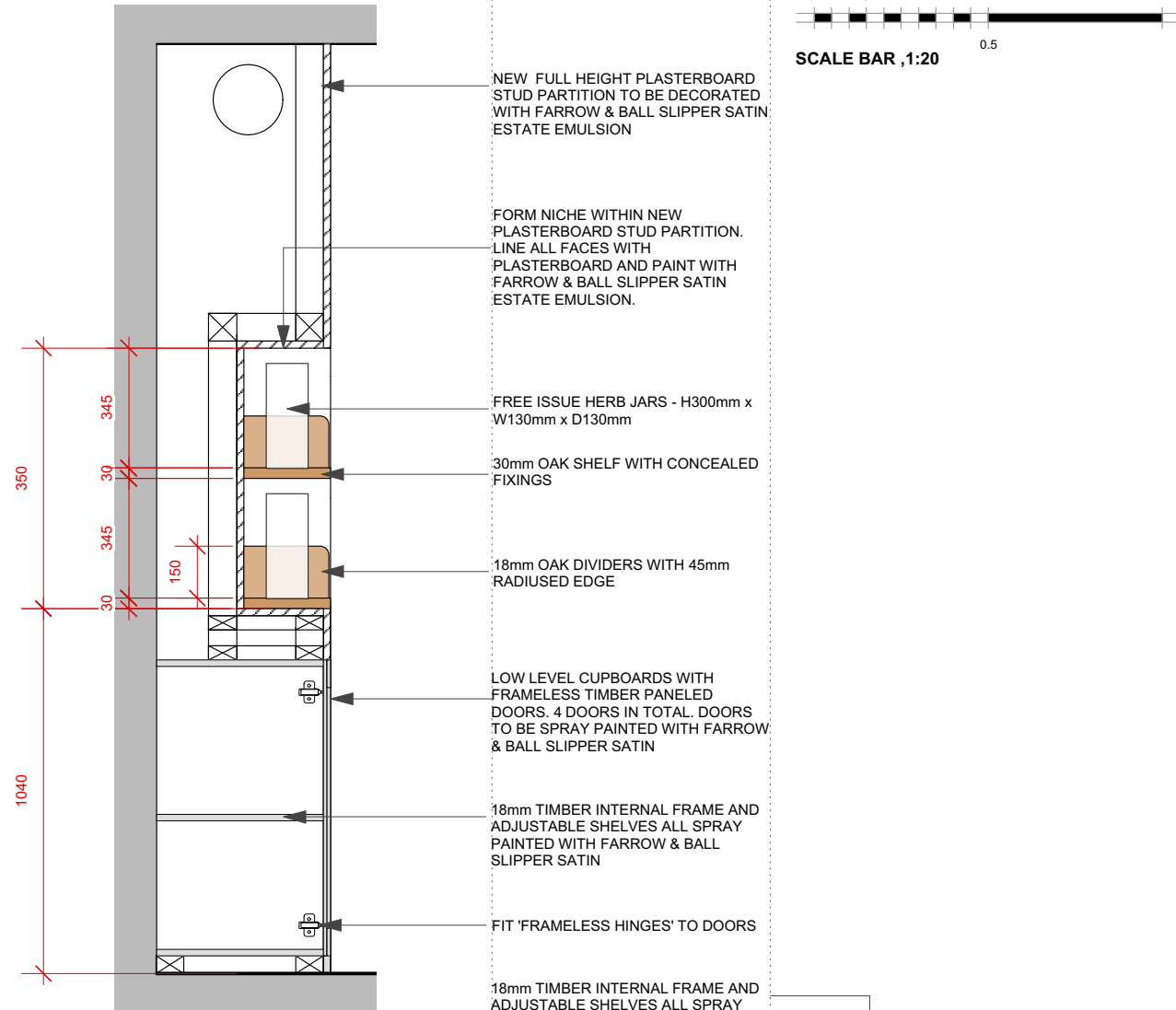
30mm OAK SHELF WITH CONCEALED FIXINGS

18mm OAK DIVIDERS POSITIONED AT 160mm CENTERS

DOORS TO BE FITTED WITH FLUSH PULL HANDLES, SPEC: SATIN NICKEL FINISHED FLUSH PULL HANDLE '29021', AVAILABLE FROM SDS LONDON. TEL: 02072281175. WEB: WWW.SDSLONDON.CO.UK

DOTTED LINES INDICATE 18mm TIMBER INTERNAL FRAME AND ADJUSTABLE SHELVES

LOW LEVEL CUPBOARDS WITH FRAMELESS TIMBER PANELED DOORS. 4 DOORS IN TOTAL. DOORS TO BE SPRAY PAINTED WITH FARROW & BALL SLIPPER SATIN



SECTION A-A, 1:20 @ A3

NEW FULL HEIGHT PLASTERBOARD STUD PARTITION TO BE DECORATED WITH FARROW & BALL SLIPPER SATIN ESTATE EMULSION

FORM NICHE WITHIN NEW PLASTERBOARD STUD PARTITION. LINE ALL FACES WITH PLASTERBOARD AND PAINT WITH FARROW & BALL SLIPPER SATIN ESTATE EMULSION.

FREE ISSUE HERB JARS - H300mm x W130mm x D130mm

30mm OAK SHELF WITH CONCEALED FIXINGS

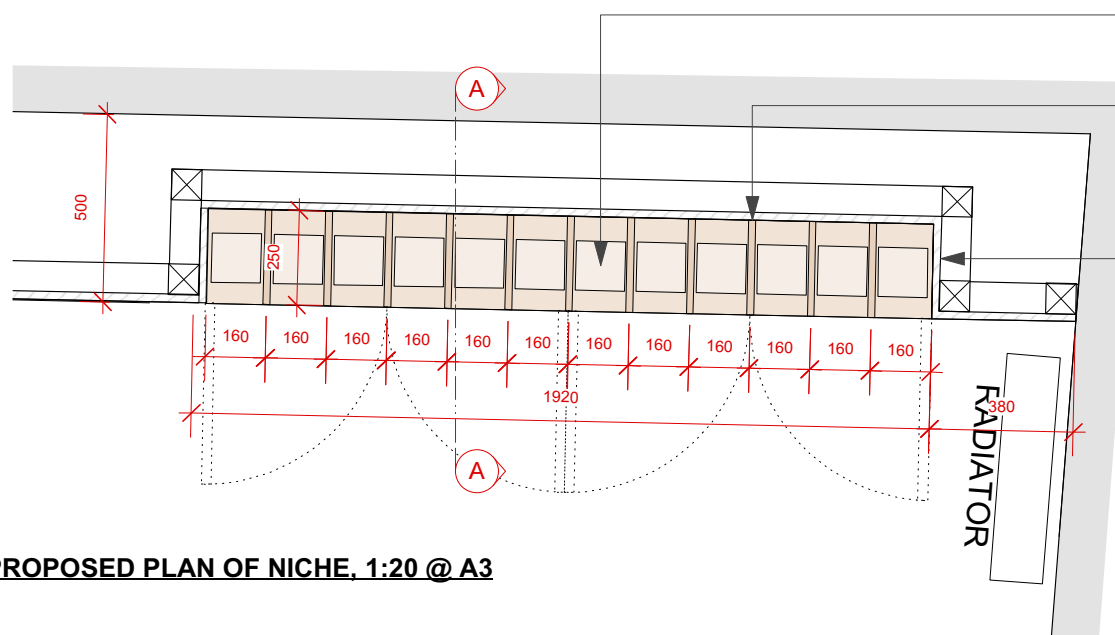
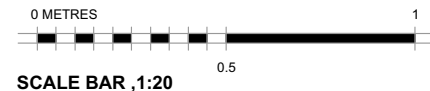
18mm OAK DIVIDERS WITH 45mm RADIUSED EDGE

LOW LEVEL CUPBOARDS WITH FRAMELESS TIMBER PANELED DOORS. 4 DOORS IN TOTAL. DOORS TO BE SPRAY PAINTED WITH FARROW & BALL SLIPPER SATIN

18mm TIMBER INTERNAL FRAME AND ADJUSTABLE SHELVES ALL SPRAY PAINTED WITH FARROW & BALL SLIPPER SATIN

FIT 'FRAMELESS HINGES' TO DOORS

18mm TIMBER INTERNAL FRAME AND ADJUSTABLE SHELVES ALL SPRAY PAINTED WITH FARROW & BALL SLIPPER SATIN



PROPOSED PLAN OF NICHE, 1:20 @ A3

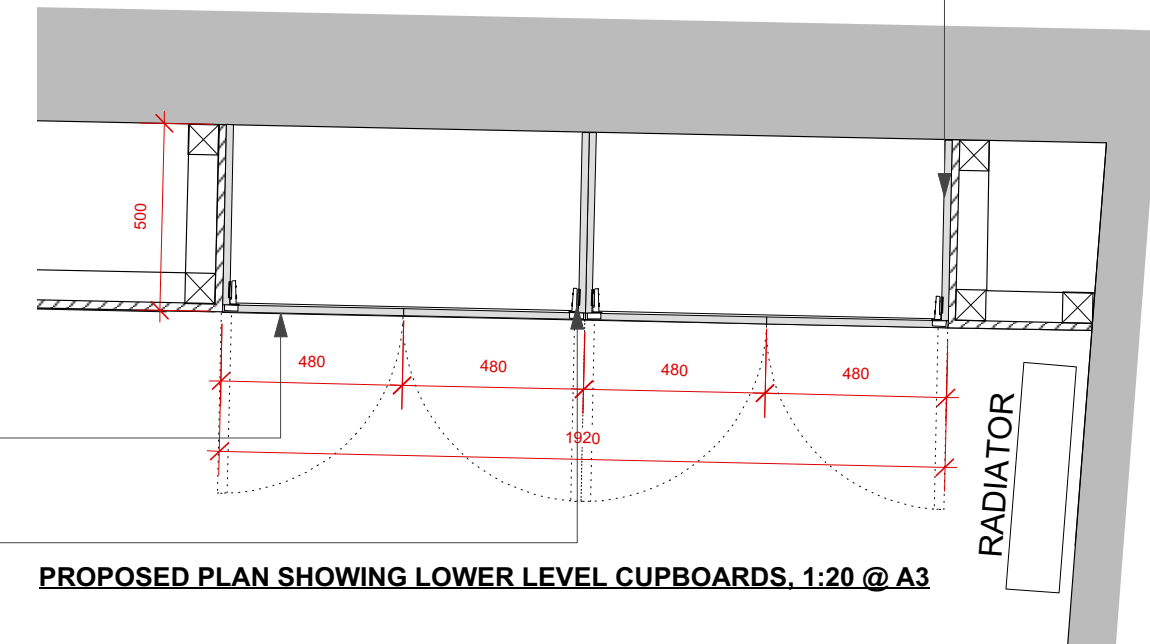
FREE ISSUE HERB JARS - H300mm x W130mm x D130mm

18mm OAK DIVIDERS POSITIONED AT 160mm CENTERS

FORM NICHE WITHIN NEW PLASTERBOARD STUD PARTITION. LINE ALL FACES WITH PLASTERBOARD AND PAINT WITH FARROW & BALL SLIPPER SATIN ESTATE EMULSION.

LOW LEVEL CUPBOARDS WITH FRAMELESS TIMBER PANELED DOORS. 4 DOORS IN TOTAL. DOORS TO BE SPRAY PAINTED WITH FARROW & BALL SLIPPER SATIN

FIT 'FRAMELESS HINGES' TO DOORS



PROPOSED PLAN SHOWING LOWER LEVEL CUPBOARDS, 1:20 @ A3



t. +44 (0)20 7504 7115
e. hello@brace-studio.com
w. www.brace-studio.com

This drawing is the property of Brace Studio. Copyright is reserved by Brace Studio and is issued on the condition that it is not copied or disclosed by or to any unauthorised persons without prior written consent from Brace Studio.

This drawing is for design intent only and should not be scaled. No responsibility is accepted for errors and/or omissions arising from the adoption of this drawn information by others. The contractor should check all dimensions on site and report to Brace Studio should any discrepancy become apparent. It remains the responsibility of the user of this drawing to ensure all materials identified comply with Building Control and Fire Officer requirements.

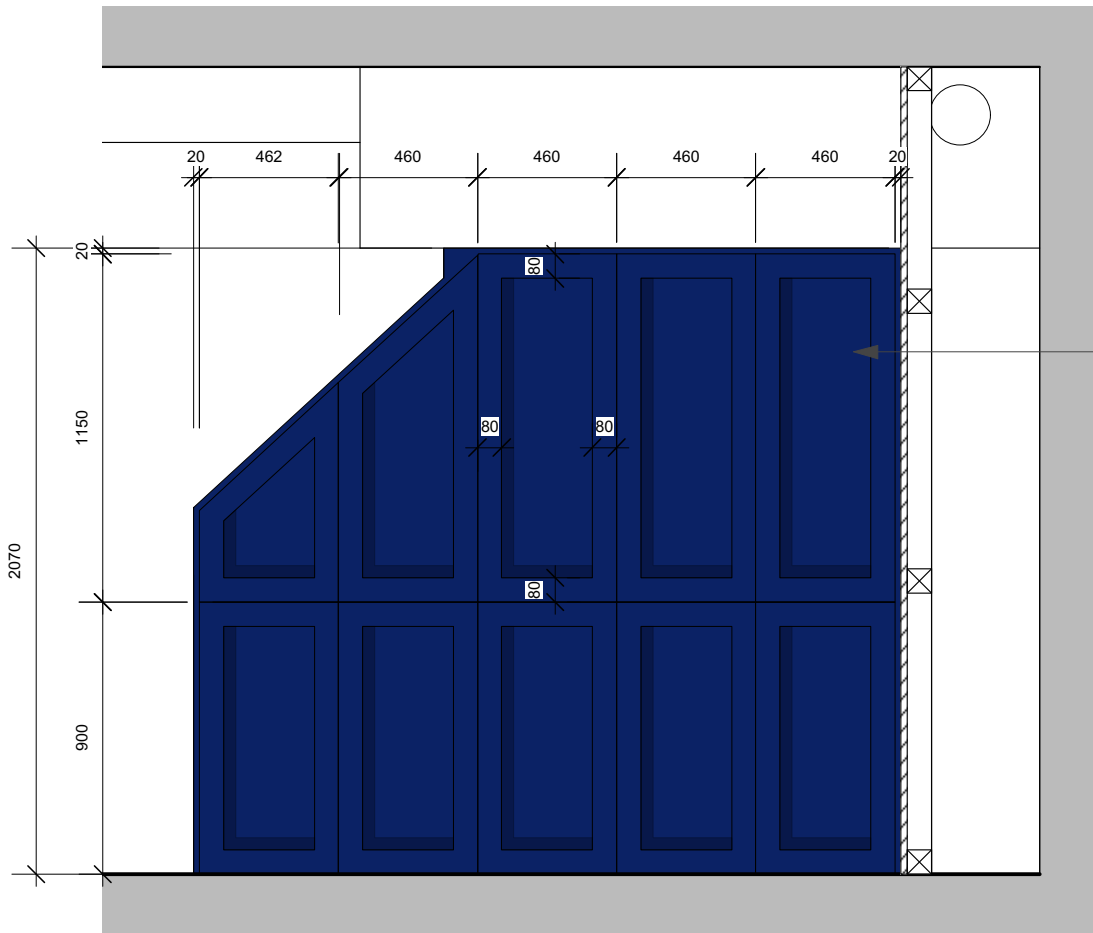
Revision	Date	Description	Revision	Date	Description

PRELIMINARY DRAWING

Scale	As shown @ A3	Drawing Title	HERB JAR NICHE DETAIL	Job Number	012
Drawn by	CMD	Project	THERAPY ROOMS	Drawing Number	010
Date	AUGUST 2016	Client	NEAL'S YARD REMEDIES	Revision	-



SCALE BAR, 1:25



NOTE: CONTRACTOR TO VERIFY ALL DIMENSIONS ON SITE. THIS DRAWING HAS BEEN PREPARED USING AN ELECTRONIC SURVEY DRAWING PREPARED BY OTHERS AND AS SUCH, ACCURACY CANNOT BE GUARANTEED.

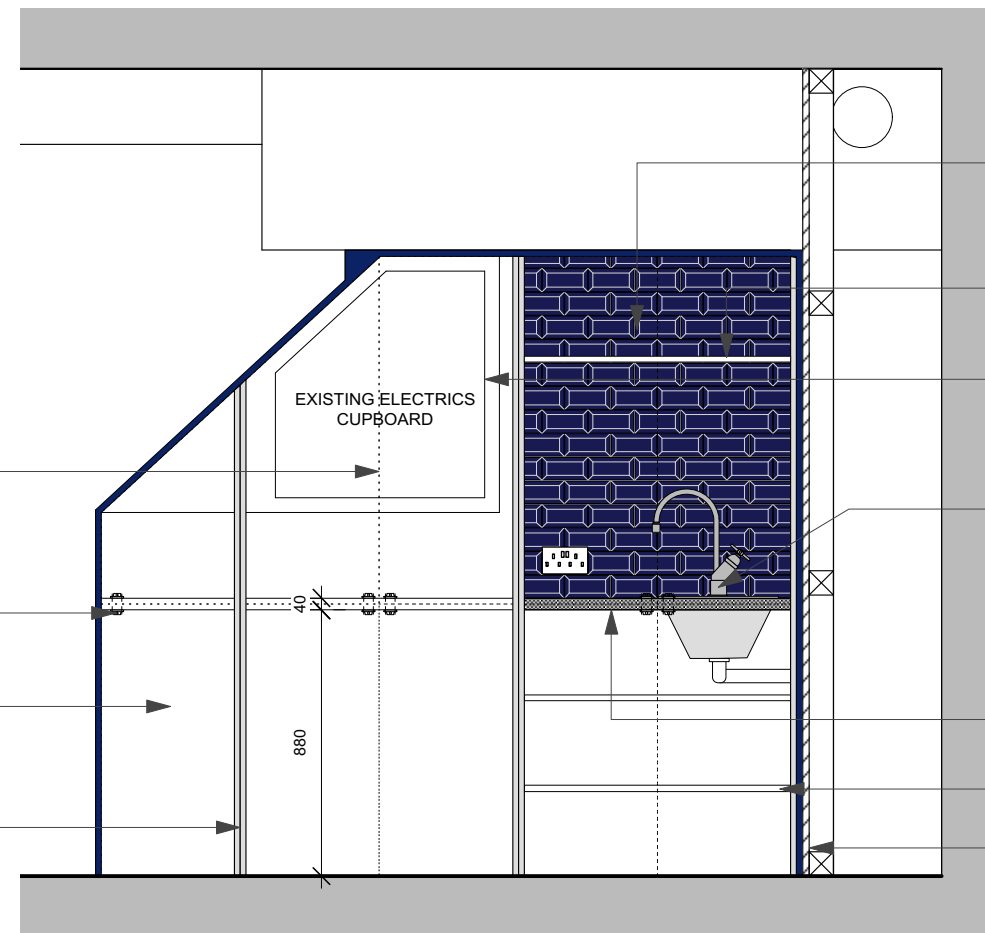
UPPER AND LOWER LEVEL CUPBOARDS WITH FRAMELESS PANELED DOORS. 10 DOORS IN TOTAL. DOOR FRONTS AND SIDES TO BE FACTORY SPRAYED TO MATCH RAL 5013, COBALT BLUE

DOTTED LINES INDICATE POSITION OF CUPBOARD DOORS IN FRONT.

FIT CONCEALED 'SOFT TOUCH' LATCHES TO EACH DOOR.

NOTE: NO SHELVES TO 3 LEFT HAND CUPBOARDS TO ALLOW FOR ACCESS TO ELECTRICITY CUPBOARD AND EXISTING GAS METER, LOCATED UNDERNEATH STAIR CASE.

CUPBOARD CARCASS AND INTERNAL SHELVES TO BE FORMED FROM 18mm TIMBER PANELS. ALL INTERNAL FACES TO CUPBOARD TO BE PAINTED WITH FARROW & BALL, SLIPPER SATIN.



TILED BACKSPLASH TO CUPBOARD - SPEC: TRAVINO F - 'GVF2192' 200 X 100mm WITH BEVELED EDGE. ALL AVAILABLE FROM GRESTEC TILES. TEL: 0345 130 2241 WEB: WWW.GRESTEC.CO.UK

FIT 1 No. ADJUSTABLE SHELF ABOVE SINK

EXISTING ELECTRICITY CUPBOARD - ACCESS TO BE RETAINED. DOOR TO BE MODIFIED WHERE NECESSARY TO ALLOW UNRESTRICTED OPENING.

STAINLESS STEEL WASH HAND BASIN AND TAP. SPEC - FRANKE SISSONS STAINLESS STEEL RIMMED EDGE ROUND, INSET SINK BOWL 380mm Ø REF: D20142NP. AVAILABLE FROM NISBETS, TEL: 08451405555 WEB: WWW.NISBETS.CO.UK & DUAL-LEVER TRADITIONAL TAP, PART No. KIT001, AVAILABLE FROM VICTORIAN PLUMBING, WEB: WWW.VICTORIANPLUMBING.CO.UK

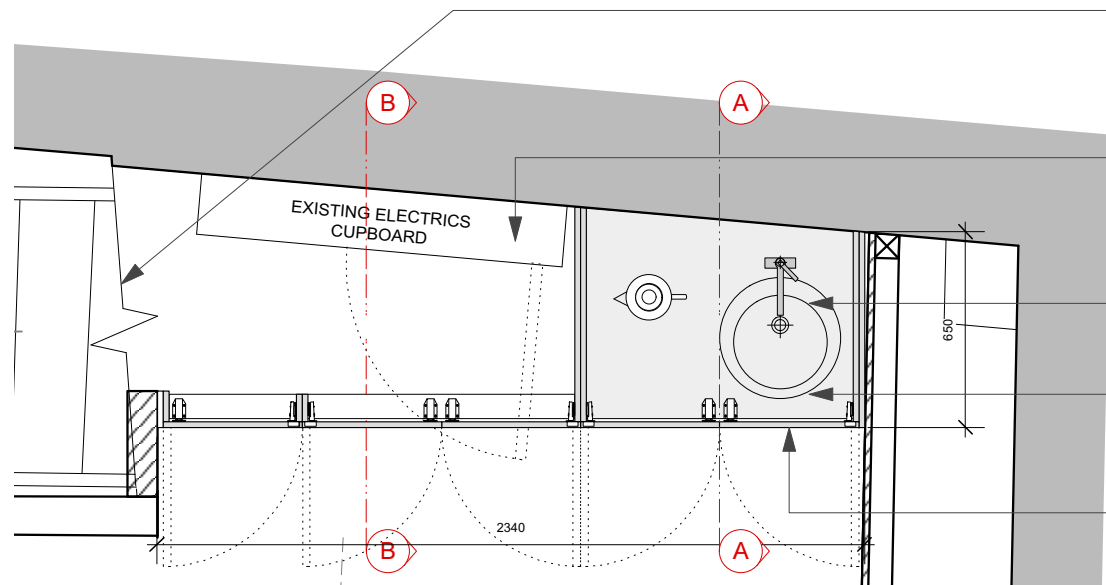
FIT NEW SEALED OAK WORKTOP TO CUPBOARD

FIT 2 No. ADJUSTABLE SHELVES UNDERNEATH SINK

NEW, FULL HEIGHT 100mm METAL STUD SUB-FRAME, FACED WITH PLASTERBOARD, TO BOX IN PIPEWORK AND CREATE FLUSH WALL SURFACE.

FRONT ELEVATION, 1:25 @ A3

FRONT ELEVATION (WITH CUPBOARD DOORS REMOVED), 1:25 @ A3



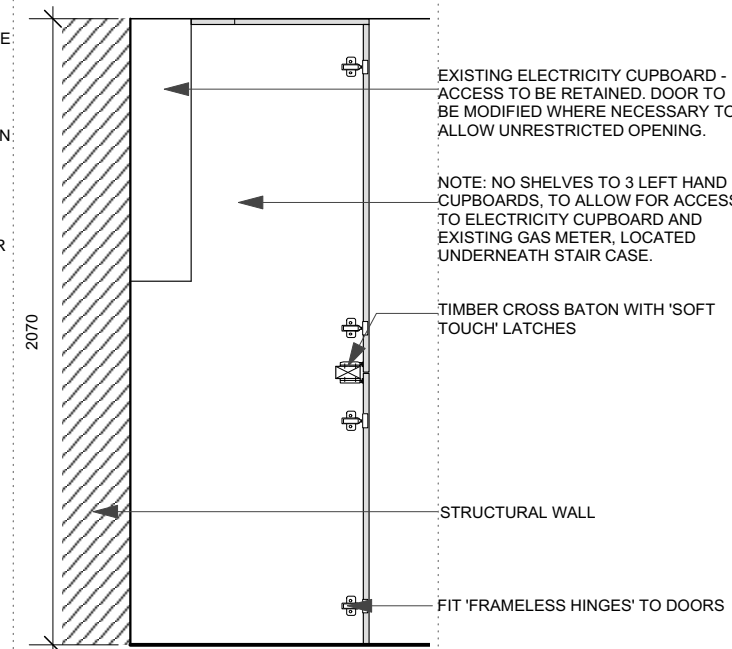
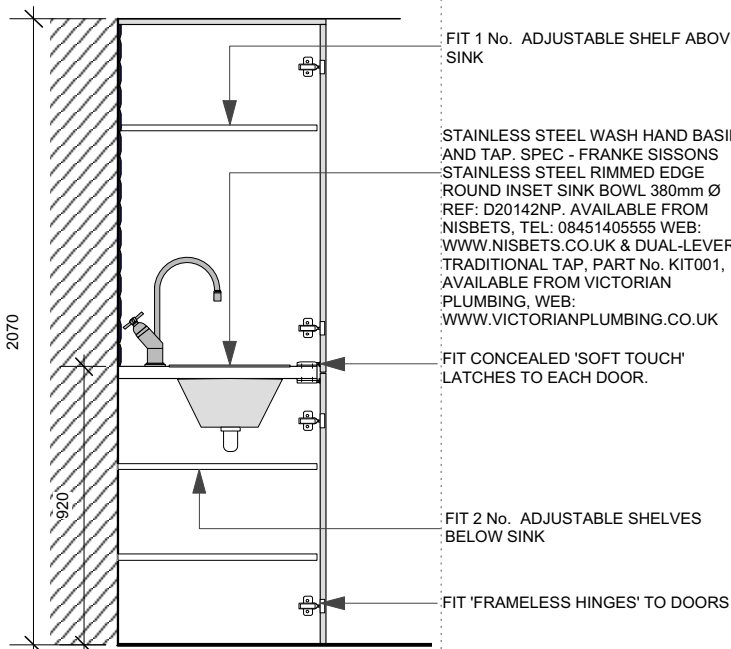
ALLOW FOR ACCESS THROUGH CUPBOARD TO EXISTING GAS METER, LOCATED UNDERNEATH STAIR CASE.

EXISTING ELECTRICITY CUPBOARD - ACCESS TO BE RETAINED. DOOR TO BE MODIFIED WHERE NECESSARY TO ALLOW UNRESTRICTED OPENING.

STAINLESS STEEL WASH HAND BASIN

FIT NEW SEALED OAK WORKTOP TO CUPBOARD

CUPBOARD DOORS FITTED WITH SOFT TOUCH LATCHES AND FRAMELESS HINGES.



FIT 1 No. ADJUSTABLE SHELF ABOVE SINK

STAINLESS STEEL WASH HAND BASIN AND TAP. SPEC - FRANKE SISSONS STAINLESS STEEL RIMMED EDGE ROUND INSET SINK BOWL 380mm Ø REF: D20142NP. AVAILABLE FROM NISBETS, TEL: 08451405555 WEB: WWW.NISBETS.CO.UK & DUAL-LEVER TRADITIONAL TAP, PART No. KIT001, AVAILABLE FROM VICTORIAN PLUMBING, WEB: WWW.VICTORIANPLUMBING.CO.UK

FIT CONCEALED 'SOFT TOUCH' LATCHES TO EACH DOOR.

FIT 2 No. ADJUSTABLE SHELVES BELOW SINK

FIT 'FRAMELESS HINGES' TO DOORS

EXISTING ELECTRICITY CUPBOARD - ACCESS TO BE RETAINED. DOOR TO BE MODIFIED WHERE NECESSARY TO ALLOW UNRESTRICTED OPENING.

NOTE: NO SHELVES TO 3 LEFT HAND CUPBOARDS, TO ALLOW FOR ACCESS TO ELECTRICITY CUPBOARD AND EXISTING GAS METER, LOCATED UNDERNEATH STAIR CASE.

TIMBER CROSS BATON WITH 'SOFT TOUCH' LATCHES

STRUCTURAL WALL

FIT 'FRAMELESS HINGES' TO DOORS

PLAN, 1:25 @ A3

PROPOSED SECTION 'A-A', 1:25 @ A3

PROPOSED SECTION 'B-B', 1:25 @ A3



This drawing is the property of Brace Studio. Copyright is reserved by Brace Studio and is issued on the condition that it is not copied or disclosed by or to any unauthorised persons without prior written consent from Brace Studio.

This drawing is for design intent only and should not be scaled. No responsibility is accepted for errors and/or omissions arising from the adoption of this drawn information by others. The contractor should check all dimensions on site and report to Brace Studio should any discrepancy become apparent. It remains the responsibility of the user of this drawing to ensure all materials identified comply with Building Control and Fire Officer requirements.

Revision	Date	Description

Scale	As shown @ A3
Drawn by	CMD
Date	AUGUST 2016

Drawing Title	CUPBOARD DETAIL
Project	THERAPY ROOMS
Client	NEAL'S YARD REMEDIES

Job Number	012
Drawing Number	011
Revision	-

PRELIMINARY DRAWING