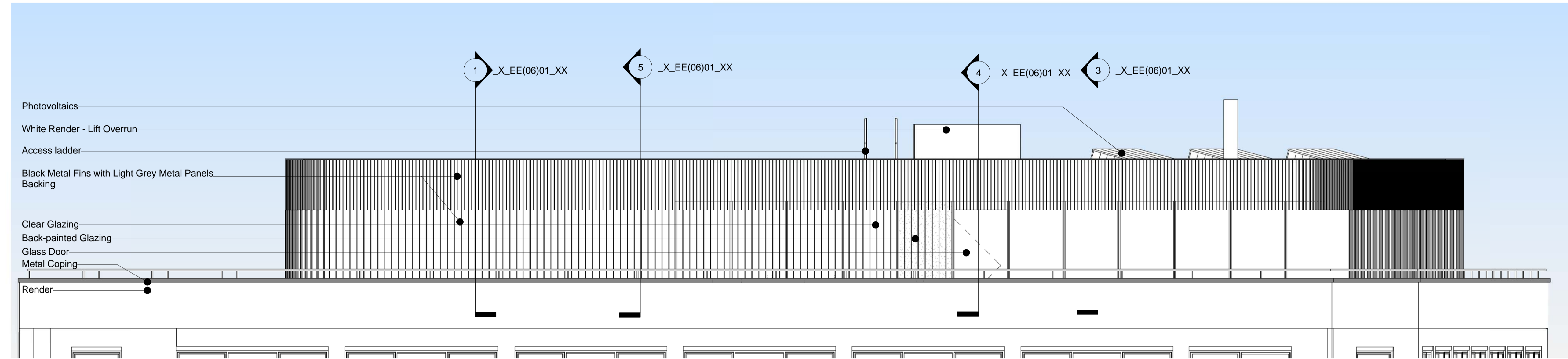
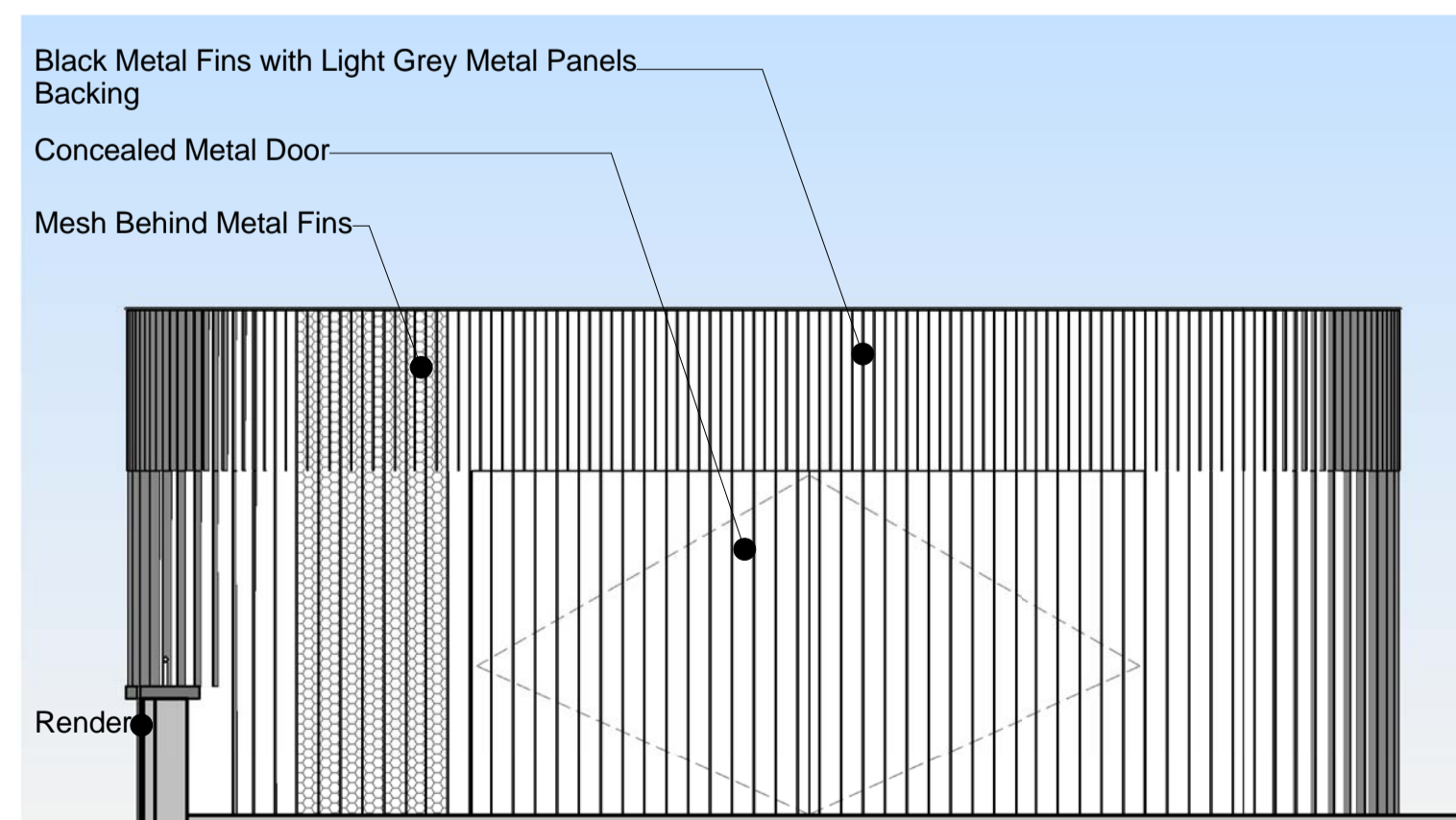


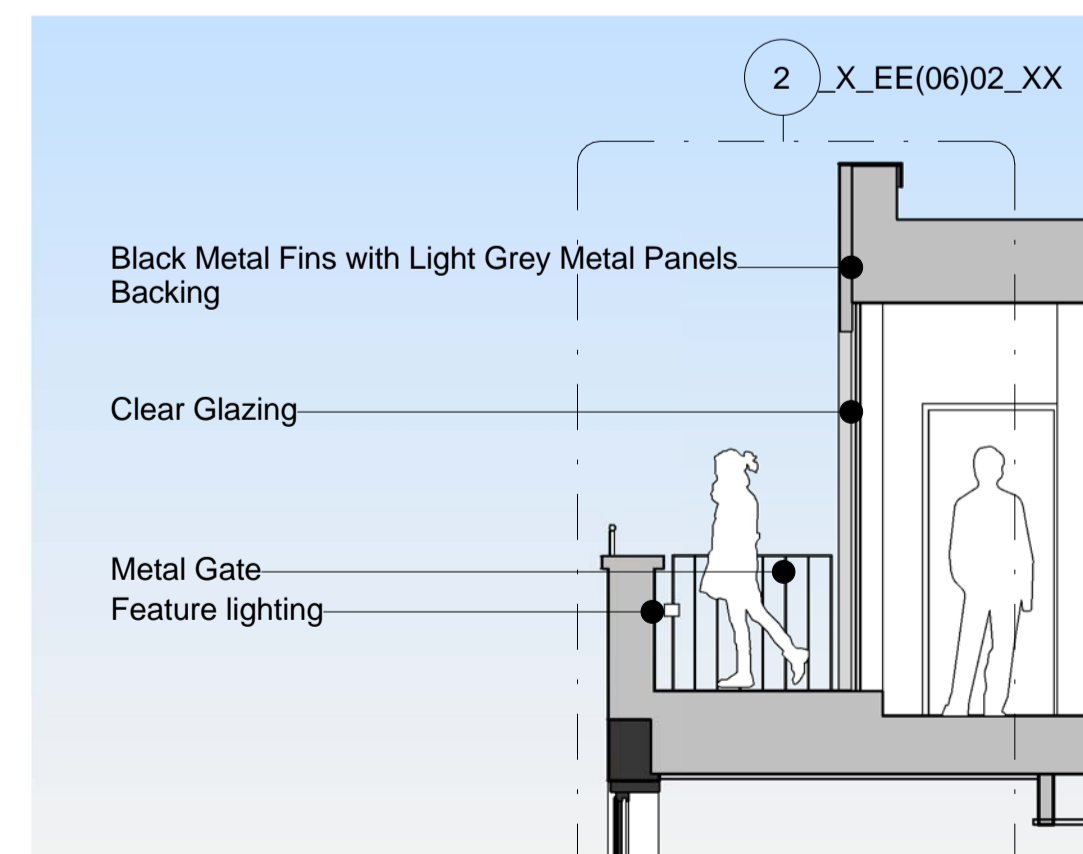
1 Proposed - External Envelope - 6th Floor - North Elevation  
Scale: 1 : 50



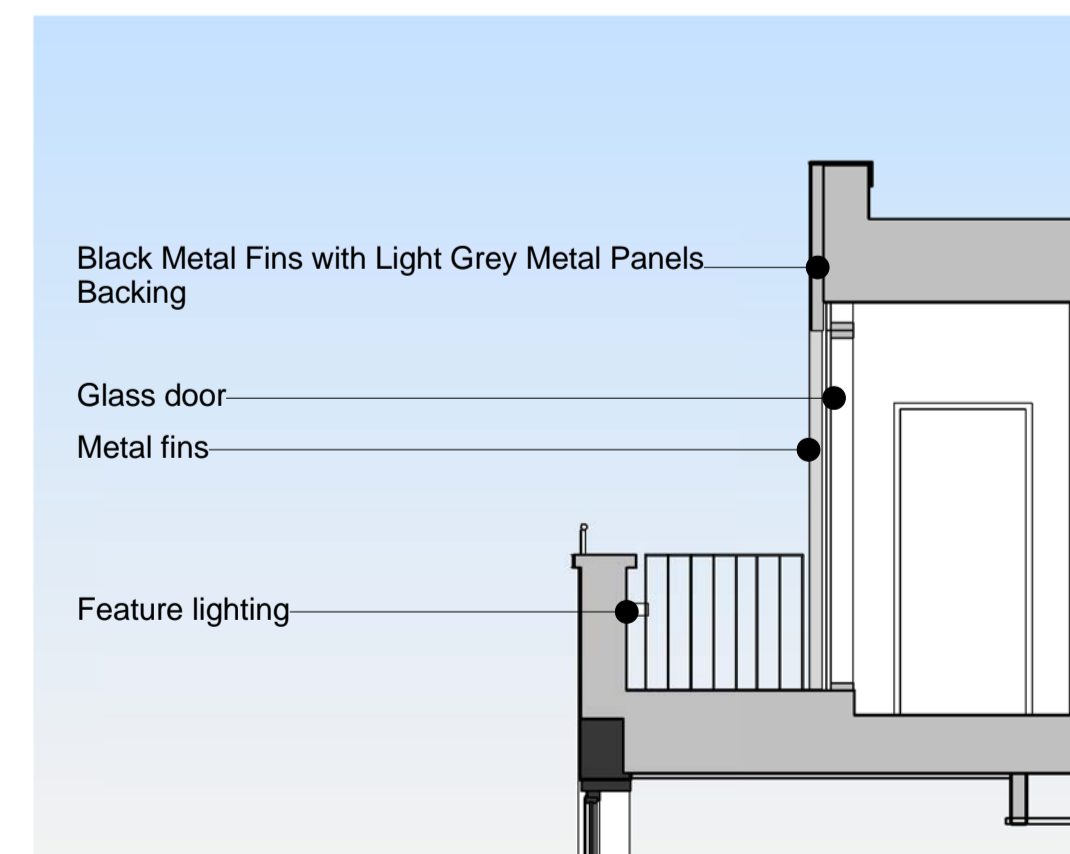
2 Proposed - External Envelope - 6th Floor - West Elevation  
Scale: 1 : 50



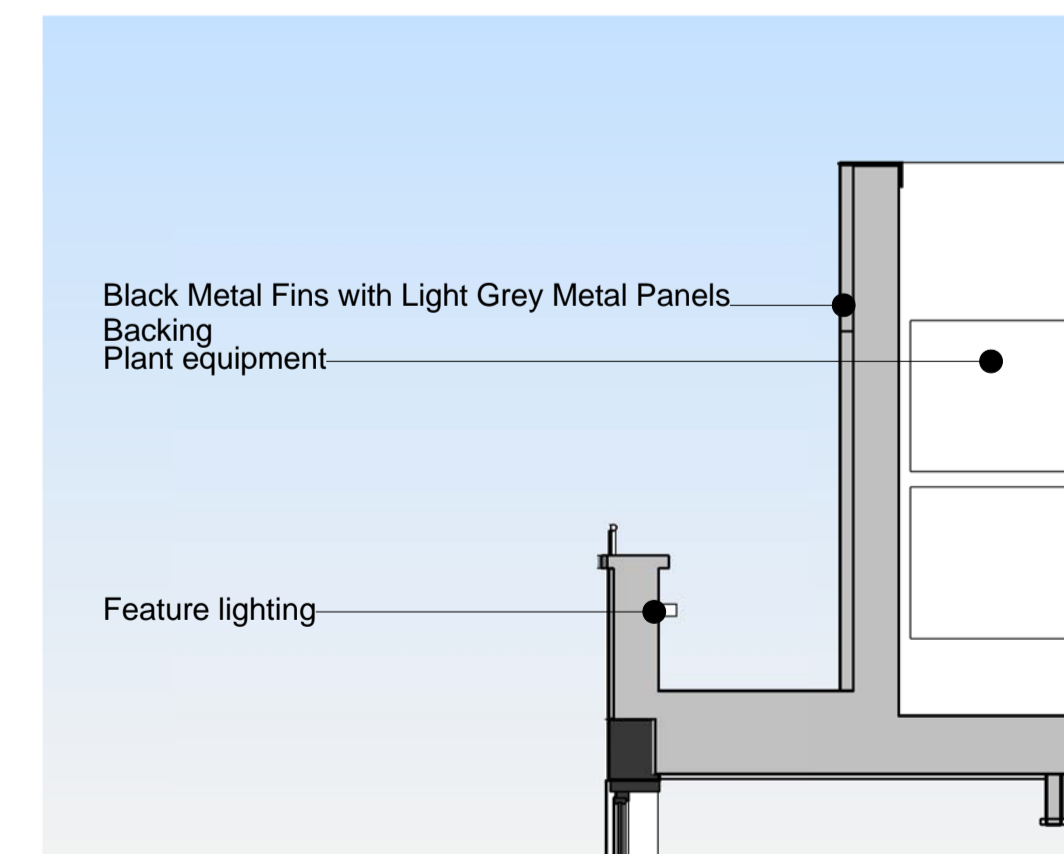
20 Proposed - External Envelope - 6th Floor - North West  
Scale: 1 : 50



3 Proposed - External Envelope - 6th Floor - Typical Glazing Section  
Scale: 1 : 50



4 Proposed - External Envelope - 6th Floor - Typical Door Section  
Scale: 1 : 50



5 Proposed - External Envelope - 6th Floor - Fins in Front of Screen  
Scale: 1 : 50

Key Plan:

CDM:



Notes:

- Existing Structure
- Proposed Structure

Project: **20 Red Lion Street**

Project Number: **2077**

Drawing Title:  
**Planning - External Envelope - 6th Floor Extension Details**

Drawing No.  
**2077\_X\_EE(06)01\_XX**

Scale@A1: **1 : 50**

Issued for: **Planning**

Revision:  
**P01 13.01.17 Planning Addendum**

**Orms**

1 Oliver's Yard  
55-71 City Road  
London  
EC1Y 1HQ  
0207 833 8533  
orms@orms.co.uk  
orms.co.uk

Do not scale. All dimensions to be confirmed on site. Information contained in this drawing is the sole copyright of Orms designers + architects ltd and is not to be reproduced without permission.