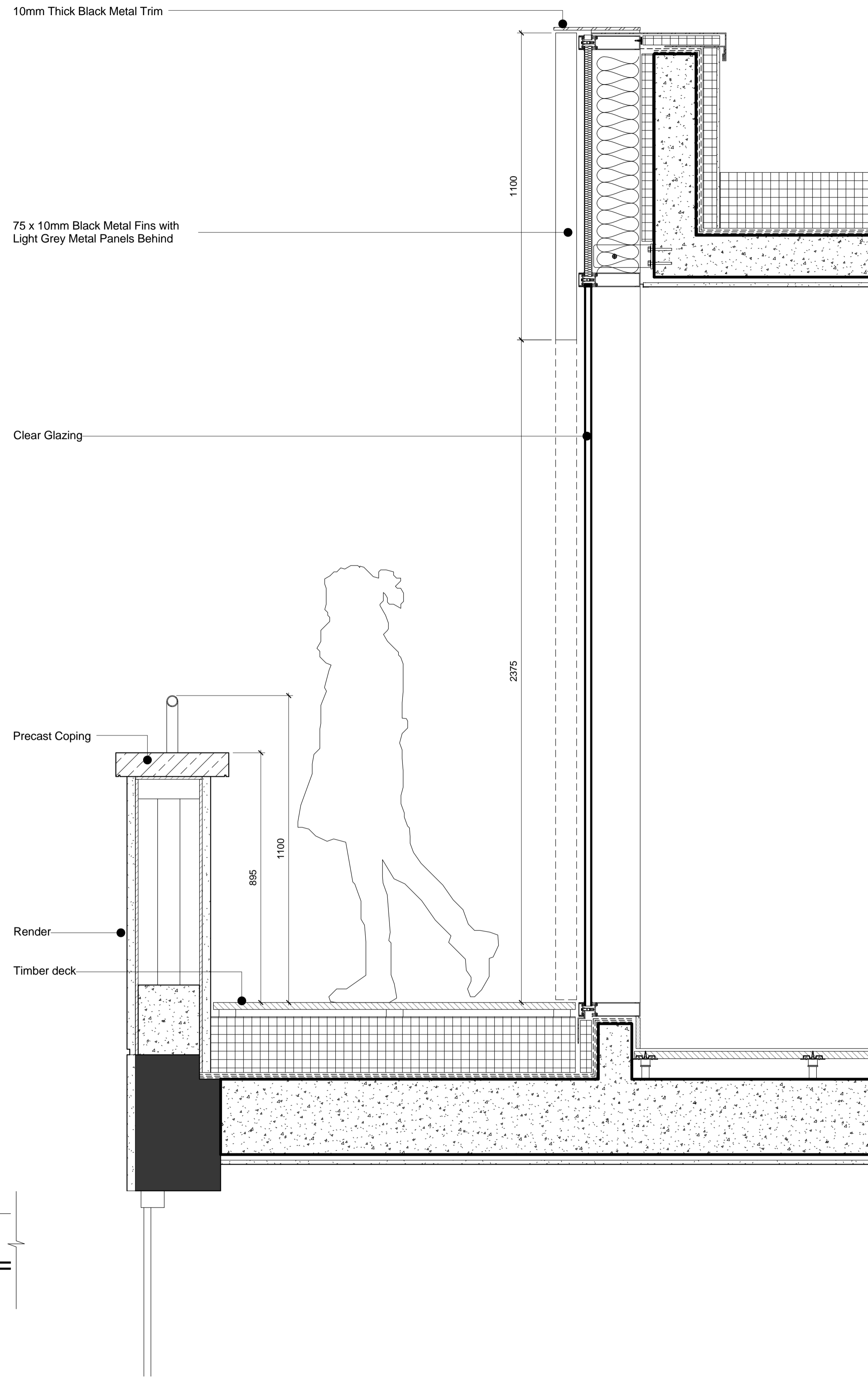


- Black Metal Fins with Light Grey Metal Panels Backing
- Clear Glazing
- Metal Gate
- Feature lighting
- Timber deck
- Render
- New windows to replace existing

1 Planning - AXO - 6th floor section
Scale:



75 x 10mm Black Metal Fins with Light Grey Metal Panels Behind

Clear Glazing

Precast Coping

Render

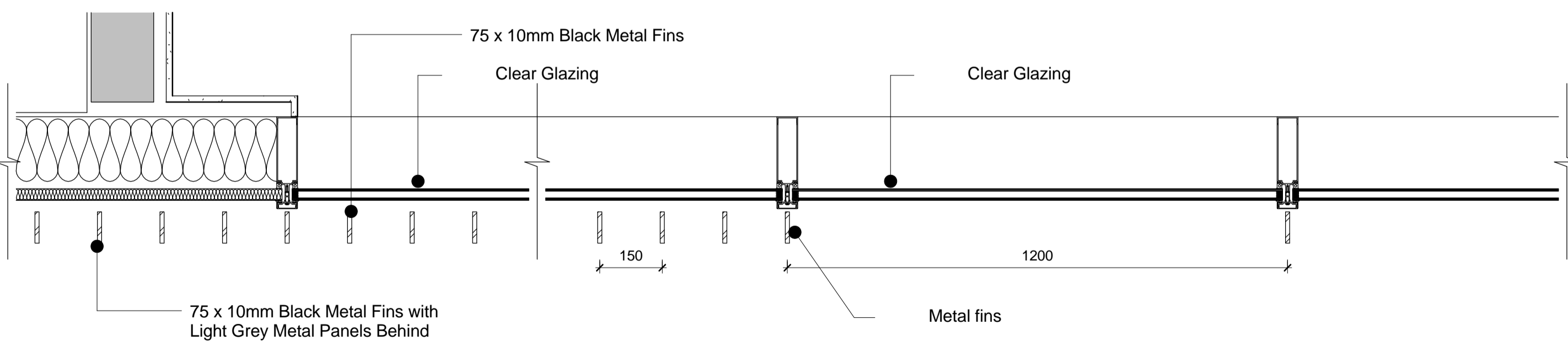
Timber deck

1100

2375

895

1100



75 x 10mm Black Metal Fins

Clear Glazing

Clear Glazing

150

1200

75 x 10mm Black Metal Fins with Light Grey Metal Panels Behind

Metal fins

3 Planning - Plan Detail - 6th Floor Jamb Detail
Scale: 1 : 10

2 Planning - Section Detail - 6th Floor Section
Scale: 1 : 10

Key Plan:

CDM:



Risks

Notes:

- Existing Structure
- Proposed Structure

Project: **20 Red Lion Street**

Project Number: **2077**

Drawing Title:
Planning - External Envelope - 6th Floor Extension Details

Drawing No.
2077_X_EE(06)02_XX

Scale@A1: **1 : 10**

Issued for: **Planning**

Revision:
P01 13.01.17 Planning Addendum

Orms

1 Oliver's Yard
55-71 City Road
London
EC1Y 1HQ
0207 833 8533
orms@orms.co.uk
orms.co.uk

Do not scale. All dimensions to be confirmed on site. Information contained in this drawing is the sole copyright of Orms designers + architects ltd and is not to be reproduced without permission.