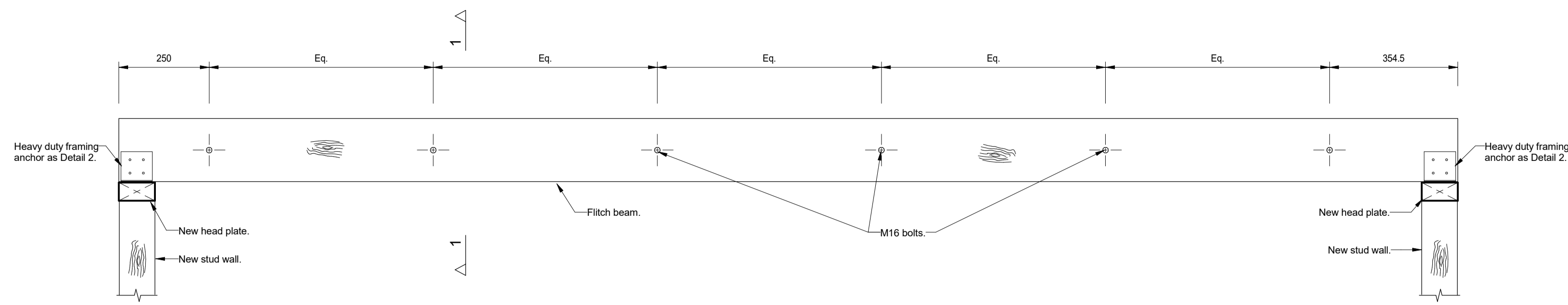
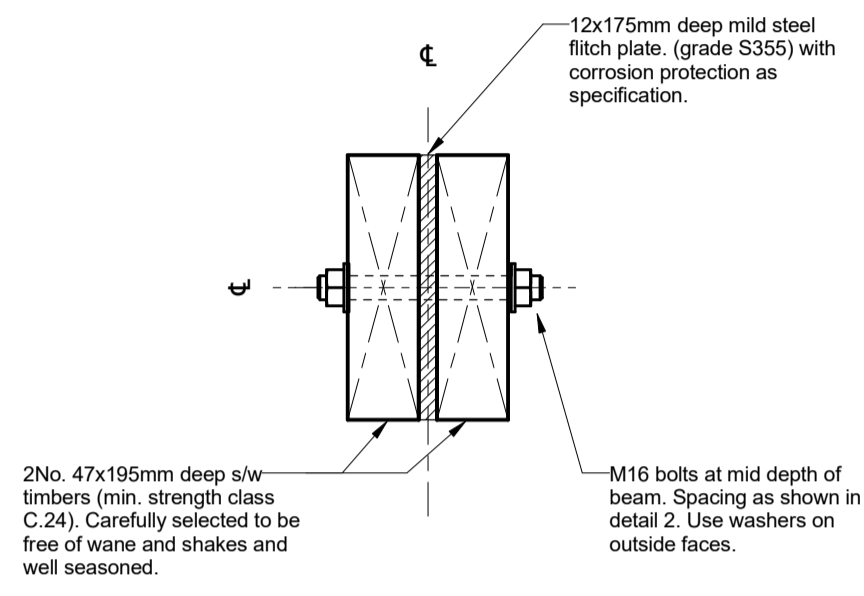


**General Notes**

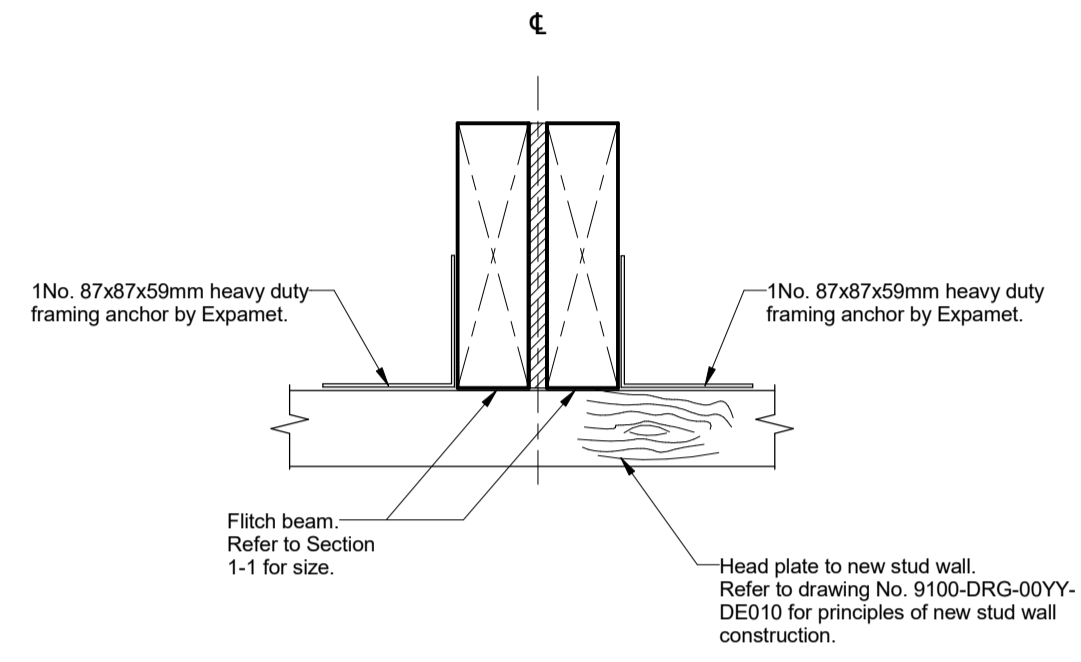
1. Drawings shall be referred to for structural work only unless otherwise stated and read in conjunction with Architect's, Service Engineer's and Sub-Contractor's drawings.
2. The Contractor shall check all levels and dimensions, any errors or omissions are to be reported at once to the Engineer.
3. For General Notes refer to no. 9100-DRG-99YY-GN002.



**Detail 1: Fitch Beam Elevation**  
scale 1 : 10



**Section 1-1: Fitch Beam Cross Section**  
scale 1 : 5



**Detail 2: Fitch Beam Support Detail**  
scale 1 : 5

REV	DATE	DESCRIPTION	BY	CHKD
01.08.16		First Issue.	DA	TP

**FOR TENDER**



TITLE:  
**Skeel Library Details**

---

PROJECT:  
**Project No. 11581  
Kidderpore Avenue**

---

SCALE:	DATE:	DRAWN:	CHKD:
A1@ as noted	July 16	DA	TP

---

DRG NO.	REV.
9100-DRG-00SK-DE001	-

**Tully De'Ath** consultants  
Engineering at its Best

T: 01342 828 000  
E: info@tullydeath.com  
W: www.tullydeath.com