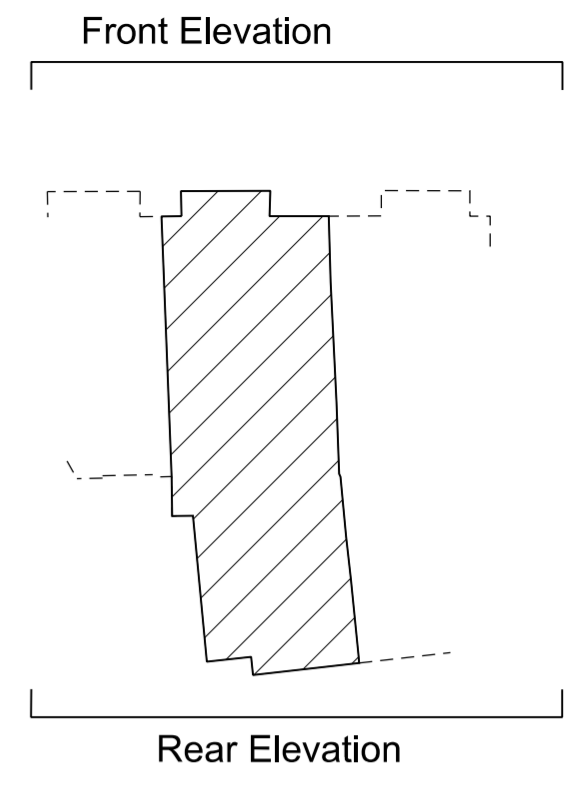


Existing Loft Floor Plan

ungar architects 10 - 12 Perrins Court London, NW3 1QS UK Tel: +44 (0)20 7431 7547	Project	31 Willoughby Road	
	Subject	Existing Roof Plan	
	Scale	1:50	Date 02/12/2014
	Original Size	A2	
Unless indicated below, this drawing is for information only.			
Issue / Revision	Date	Rev.	
Planning	05.12.16	-	
Drawing No.		109_R_EX_RP	



This drawing is for Planning Application only



EXISTING FRONT ELEVATION

Existing Front Elevation

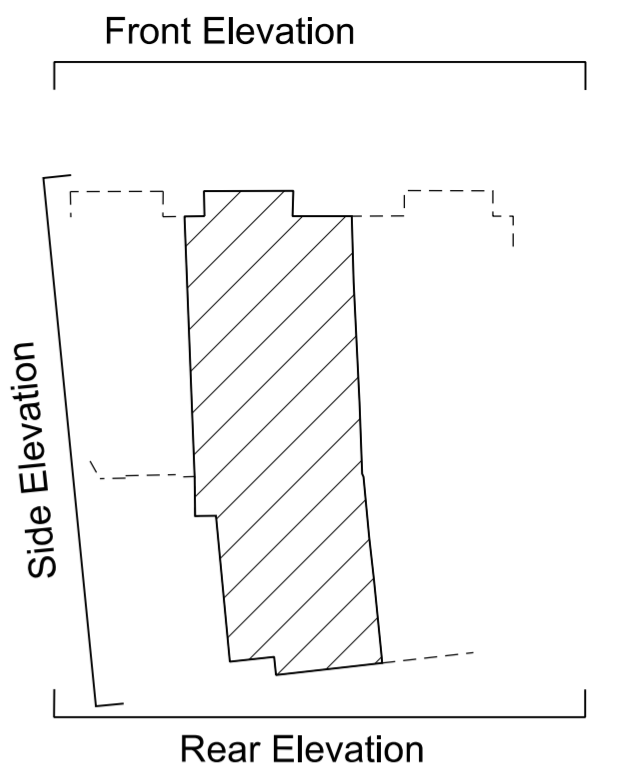
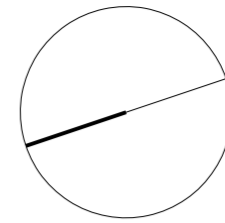
ungar architects 10 - 12 Perrins Court London, NW3 1QS UK Tel: +44 (0)20 7431 7547	Project	31 Willoughby Road
	Subject	Existing Front Elevation
	Scale	1:50
	Date	02/12/2014
	Original Size	A2
Unless indicated below, this drawing is for information only.		
Issue / Revision	Date	Rev.
Planning	16.12.16	A
Drawing No.		109_R_EX_ELE_F



This drawing is for Planning Application only



Existing rooflights



Existing Rear Elevation



This drawing is for Planning Application only

ungar architects 10 - 12 Perrins Court London, NW3 1QS UK Tel: +44 (0)20 7431 7547	Project 31 Willoughby Road	
	Subject Existing Rear Elevation	
	Scale 1:50	Date 02/12/2014
	Original Size A2	
Unless indicated below, this drawing is for information only.		
Issue / Revision	Date	Rev.
Planning	16.12.16	A
Drawing No. 109_R_EX_ELE_R		