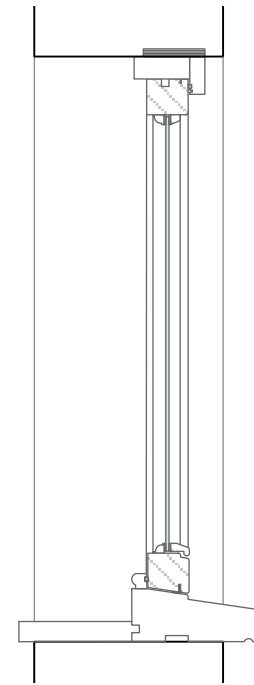
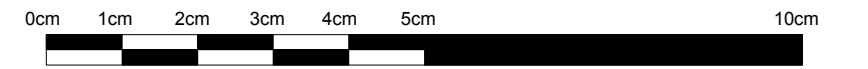


1 PROPOSED TYPICAL WINDOW W.16 & W.17 ELEVATION
Scale: 1:10

Existing upvc windows to be removed and replaced with timber framed windows and painted white



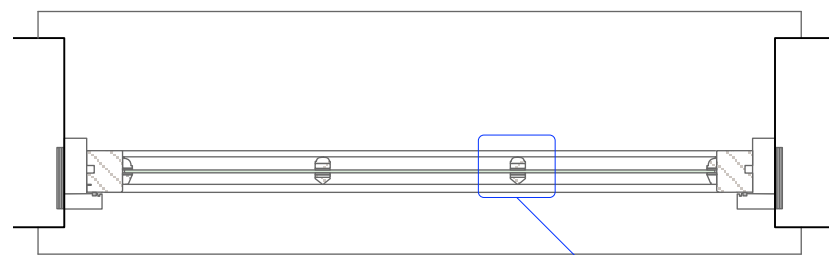
2 PROPOSED TYPICAL WINDOW W.16 & W.17 SECTION
Scale: 1:10



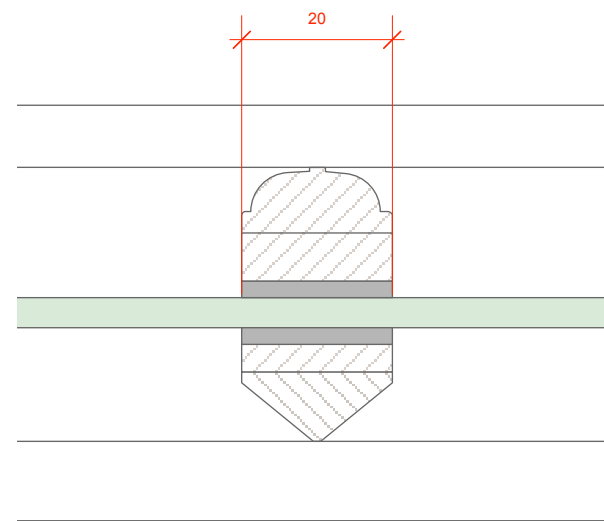
1:1



1:10



3 PROPOSED TYPICAL WINDOW W.16 & W.17 PLAN
Scale: 1:10



4 PROPOSED GLAZING BAR DETAIL 01
Scale: Actual Size

ISSUE: DATE: COMMENT:
- 14.12.16 Issue for Listed Building Consent

CallenderHoworth		Morelands 5-23 Old Street London EC1V 9HL		T: 020 7336 8560 F: 020 7549 2152 W: www.callenderhoworth.com	
Job no.	Job title				
1198	4 OVAL ROAD				
Drawing no.	Drawing title				
625	TYPICAL WINDOW W.16 & W.17 DETAIL				
Scale	Size	Drawn	Revision		
VARIES	A3	ML	-		

All works to be in accordance with relevant standards, British building codes, and other relevant codes, and with manufacturers recommendations and instructions. All dimensions to be checked on site. Do not scale from this drawing.