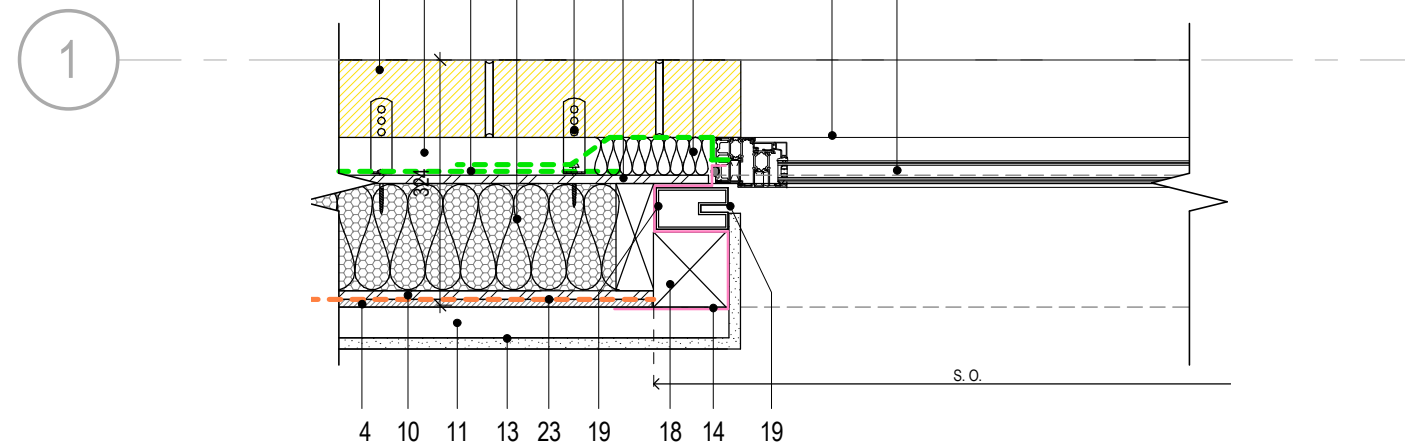


GENERAL KEY LEGEND

1. EXTERNAL BRICKWORK AS PER SPEC. F10/110A
2. CAVITY 50 mm
3. BREATHER MEMBRANE AS PER SPEC. P10/320
4. 12mm MGO BOARD (SIP PANEL AS PER SPEC.) BY INNOVARE
5. 140 mm INSULATION (SIP PANEL AS PER SPEC.) BY INNOVARE
6. BRICK TIE WITH STAINLESS STEEL SCREW AS PER SPEC F30/236
7. CAVITY CLOSER AS PER SPEC. F10/180
8. EXTERNAL CILL AS PER SPEC. L10 AND WINDOW MANUFACTURER DETAIL
9. WINDOW AS PER WINDOW SPECIALIST DETAIL AND SPEC. L10
10. 11mm OSB BOARD (SIP PANEL AS PER SPEC.) BY INNOVARE
11. 40mm CAVITY
12. 40x40mm TIMBER FIXING BATTENS AS PER SPEC. K10/205/Z10
13. 15mm PLASTERBOARD AS PER SPEC. K10/205
14. EPDM MEMBRANE AS PER SPEC. J40
15. BREATHER MEMBRANE FIXING TAPE AS PER SPEC. P10/320
16. STEEL LINTEL AS PER SPEC. F30/755
17. CAVITY TRAY AS PER SPEC. F30/345A
18. 40x40mm TIMBER BATTENS AS PER SPEC.
19. FIRE SHUTTER AS PER SPEC. L20/610A
20. 10mm INSULATION AS PER SPEC.
21. 18mm OSB BOARD AS PER SPEC.
22. 50x50mm ANGLE FOR FIXING OSB
23. VAPOUR CONTROL BARRIER AS PER. SPEC. P10/310



NOTE: ALL DRAWINGS TO BE READ IN CONJUNCTION WITH CONTRACT SCOPE OF WORKS TO BE SHELLAND CORE ONLY.

NOTES
 DO NOT SCALE DIMENSIONS OFF THIS DRAWING
 CHECK ALL DIMENSIONS ON SITE BEFORE FABRICATION
 REPORT ALL ERRORS OR OMISSIONS TO SPRUNT LIMITED BEFORE PROCEEDING WITH THE WORKS
 THIS DRAWING IS PROTECTED UNDER COPYRIGHT AND SHALL NOT BE REPRODUCED IN PART OR WHOLE WITHOUT PRIOR EXPRESSED PERMISSION OF SPRUNT LIMITED
 ODM 2015
 ALL CURRENT DRAWINGS AND SPECIFICATIONS FOR THE PROJECT MUST BE READ IN CONJUNCTION WITH THE DESIGNER'S HAZARD AND ENVIRONMENT ASSESSMENT RECORD

REV	BY	DATE	DESCRIPTION
5_3	LB	07.12.16	NBS & Minor Amendments
5_2	LB	30.11.16	Details amended
5_1	JS	04.10.16	FIRST CONSTRUCTION ISSUE

STATUS
STAGE 5 - FOR CONSTRUCTION

CONTRACTOR
GOLDSMITH

PROJECT
12456 - 81a/b BAYHAM STREET

CLIENT
REV 1

DRAWING TITLE
Window Jamb, Cill, Head Incuding Fire Shutter

DATE CREATED	DATE AMENDED	SCALE
07.12.16	07.12.16	1 : 10@A3

DRAWN BY	AMENDED BY	CHECKED
JS	LB	Approver

DRAWING NO & REVISION
12456-SPR-RES-48_07-5_3

First Floor, 20 Northdown Street
 London N1 9BG
 T +44 (0)20 7833 3555
 F +44 (0)20 7837 0296

sprunt.