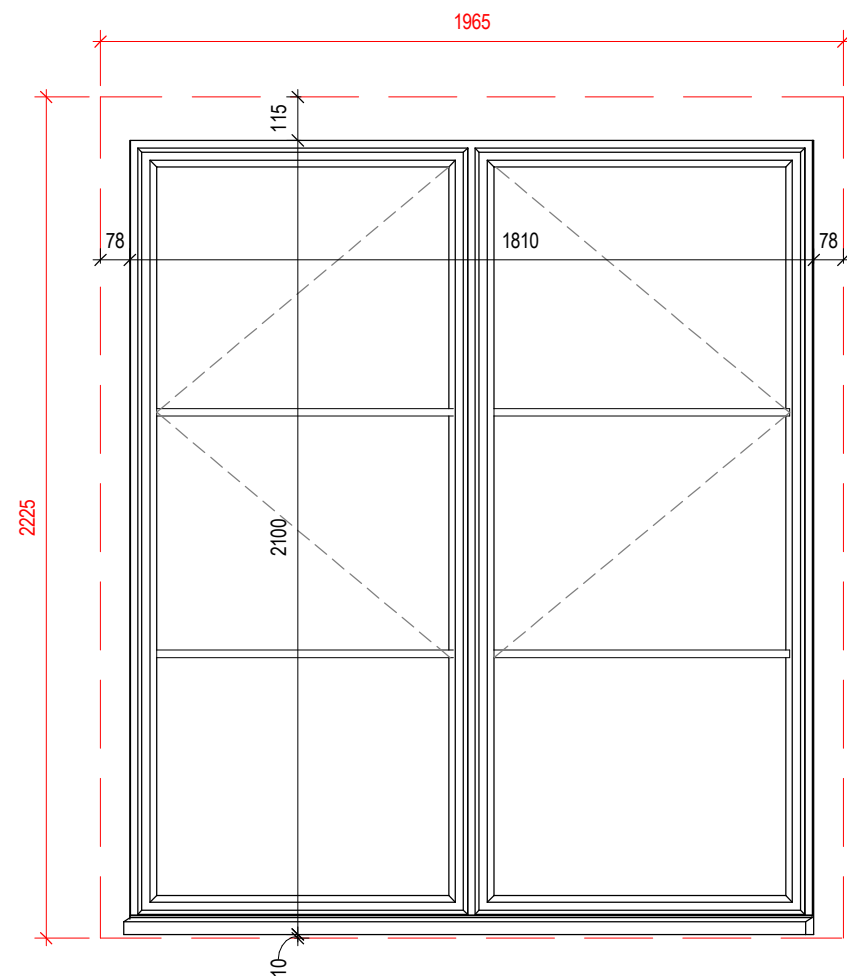
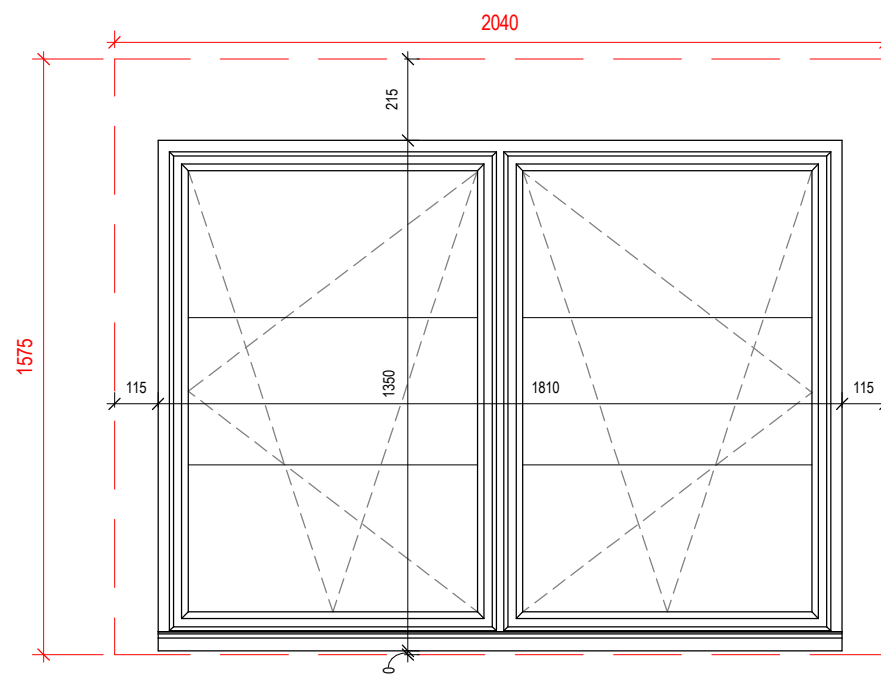


NOTES
DO NOT SCALE DIMENSIONS OFF THIS DRAWING
CHECK ALL DIMENSIONS ON SITE BEFORE FABRICATION
REPORT ALL ERRORS OR OMISSIONS TO SPRUNT LIMITED
ANY DISCREPANCY TO BE VERIFIED WITH SPRUNT LIMITED BEFORE
PROCEEDING WITH THE WORKS
THIS DRAWING IS PROTECTED UNDER COPYRIGHT AND
SHALL NOT BE REPRODUCED IN PART OR WHOLE WITHOUT PRIOR
EXPRESSED PERMISSION OF SPRUNT LIMITED

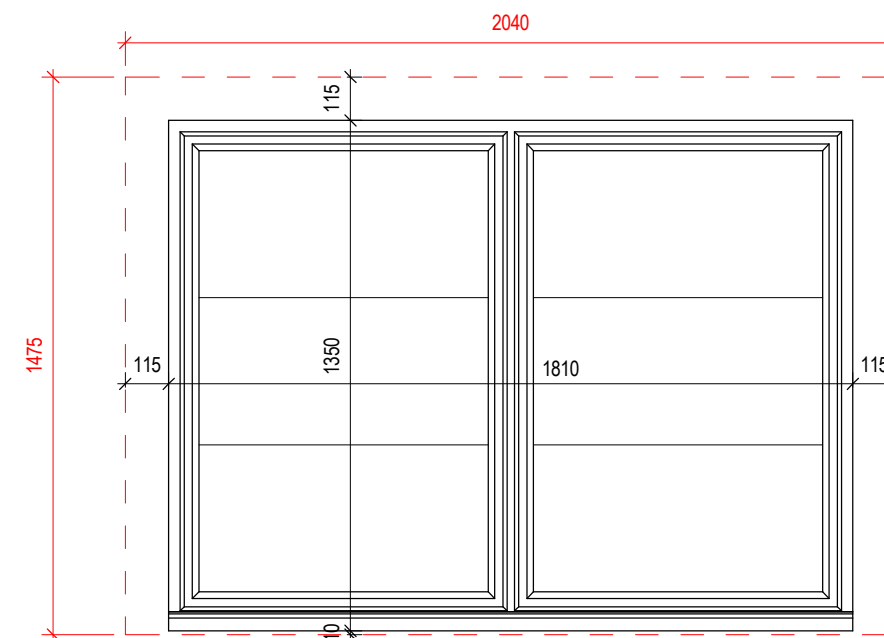
ODM 2015
ALL CURRENT DRAWINGS AND SPECIFICATIONS FOR THE
PROJECT MUST BE READ IN CONJUNCTION WITH THE
DESIGNER'S HAZARD AND ENVIRONMENT ASSESSMENT
RECORD



Window Type W-A (x4) 1810 x 2100 mm
Scale 1:20

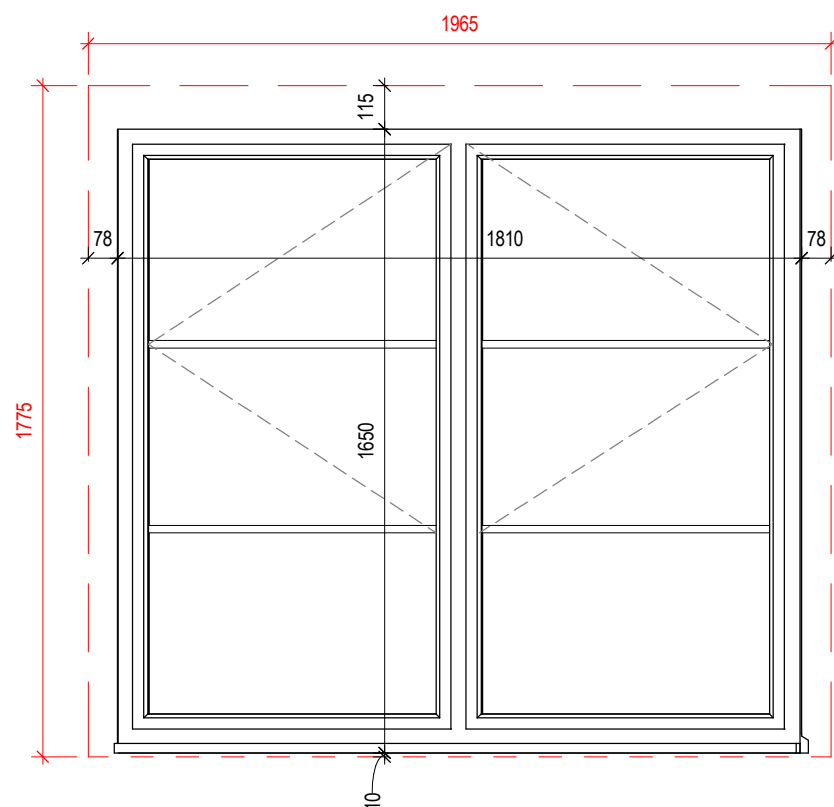


Window Type W-C (x6) 1810 x 1350 mm (Scale 1:20)



Window Type W-C (x2) 1810 x 1350 mm (Scale 1:20)

ALL WINDOW FRAMES TO BE RAL COLOUR 7039



Window Type W-B (x4) 1810 x 1650 mm
Scale 1:20

Level	Window Number	Window Type	Window Dimensions	Structural Opening Width(mm)	Structural Opening Height (mm)	Structural Opening Cill Height from SSL (mm)
Ground	W-00-01	Type A	1810 x 2100	1810	2225	225
Ground	W-00-02	Type A	1810 x 2100	1810	2225	225
1 st Floor	W-01-01	Type A	1810 x 2100	1965	2225	370
1 st Floor	W-01-02	Type A	1810 x 2100	1965	2225	370
1 st Floor	W-01-03	Type C	1810 x 1350	2040	1575	895
1 st Floor	W-01-04	Type C	1810 x 1350	2040	1575	895
1 st Floor	W-01-05	Type C	1810 x 1350	2040	1475	2245
2 nd Floor	W-02-01	Type B	1810 x 1650	1965	1775	515
2 nd Floor	W-02-02	Type B	1810 x 1650	1965	1775	515
2 nd Floor	W-02-03	Type C	1810 x 1350	2040	1575	890
2 nd Floor	W-02-04	Type C	1810 x 1350	2040	1575	890
2 nd Floor	W-02-05	Type C	1810 x 1350	2040	1475	750
3 rd Floor	W-03-01	Type B	1810 x 1650	1965	1775	455
3 rd Floor	W-03-02	Type B	1810 x 1650	1965	1775	455
3 rd Floor	W-03-03	Type C	1810 x 1350	2040	1575	758
3 rd Floor	W-03-04	Type C	1810 x 1350	2040	1575	758

Total: 16

5_3 JS 22.11.16 WINDOW SWINGS UPDATED
5_2 JS 04.10.16 STRUCTURAL OPENING SIZES AMENDED
5_1 JS 07.09.16 FIRST CONSTRUCTION ISSUE

REV BY DATE DESCRIPTION

STATUS

STAGE 5 - FOR CONSTRUCTION

CONTRACTOR

GOLDSMITH

PROJECT

12456 - 81a/b BAYHAM STREET

CLIENT

REV 1

DRAWING TITLE

Window Schedule

DATE CREATED DATE AMENDED SCALE
16.06.16 22.11.16 1:20@A3
DRAWN BY AMENDED BY CHECKED
LB JS JK

DRAWING NO & REVISION
12456-SPR-RES-50_02-5_3

First Floor, 20 Northdown Street
London N1 9BG

T +44 (0)20 7833 3555
F +44 (0)20 7837 0296

sprunt.

ver 3.6