

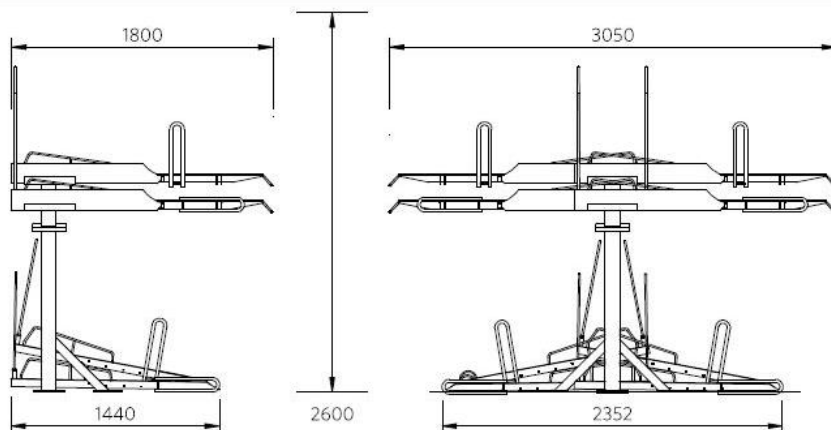
**ZCR Centre for Research into Rare Disease in Children**  
at Great Ormond Street Hospital

Issued to Skanska, G&T and DP9 16.12.16

**Planning condition 11**

To be read in conjunction with 464\_90\_300, 464\_SK\_1893 and 464\_SK\_1931.

- Josta High Capacity 2 Tier Rack to be installed in the cycle parking area on Millman Mews. Finish to be powder coated framework in grey to match metalwork colour elsewhere.



- Sheffield cycle stands to be located on Guilford Street, Guildford Place and Millman Street. Finish to be powder coated framework in grey to match metalwork colour elsewhere. Stands to be ground (root) fixed.

