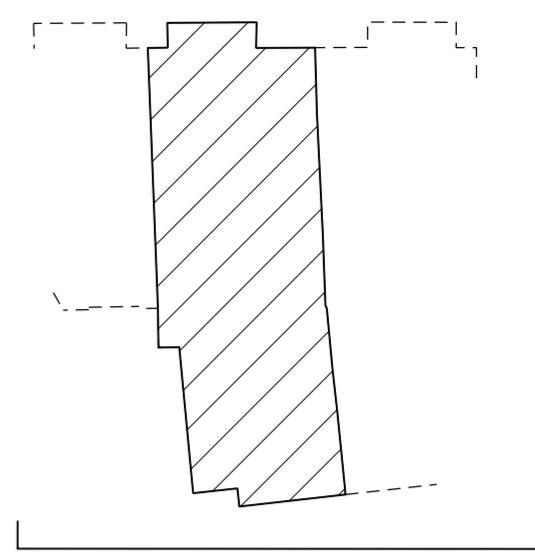


Front Elevation



Rear Elevation



Existing rooflights lowered

Existing rooflights lowered

# Proposed Floor Plan

**ungar** architects  
10 - 12 Perrins Court  
London, NW3 1QS  
UK  
Tel: +44 (0)20 7431 7547

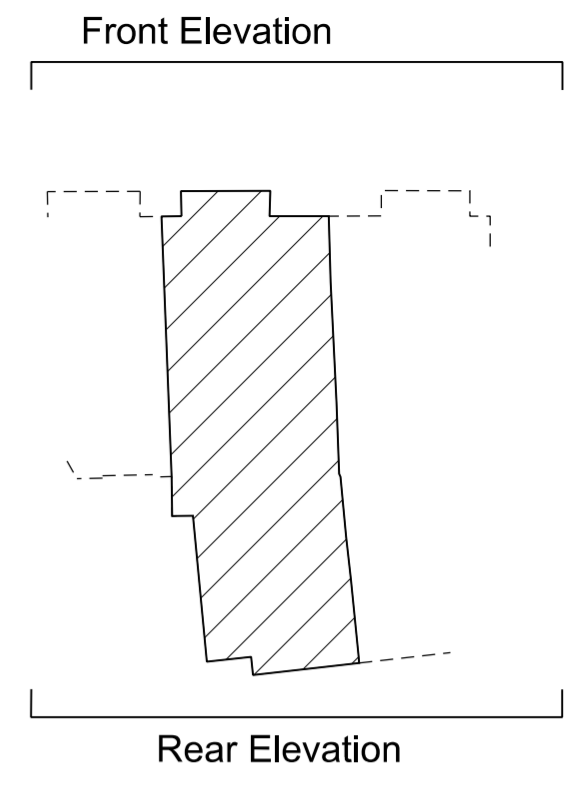
Project 31 Willoughby Road  
Subject Proposed Roof Plan  
Scale 1:50 Date 02/12/2014  
Original Size A2

Unless indicated below, this drawing is for information only.		
Issue / Revision	Date	Rev.
Planning	16.12.16	A

Drawing No. **109\_RL\_RP**



This drawing is for Planning Application only

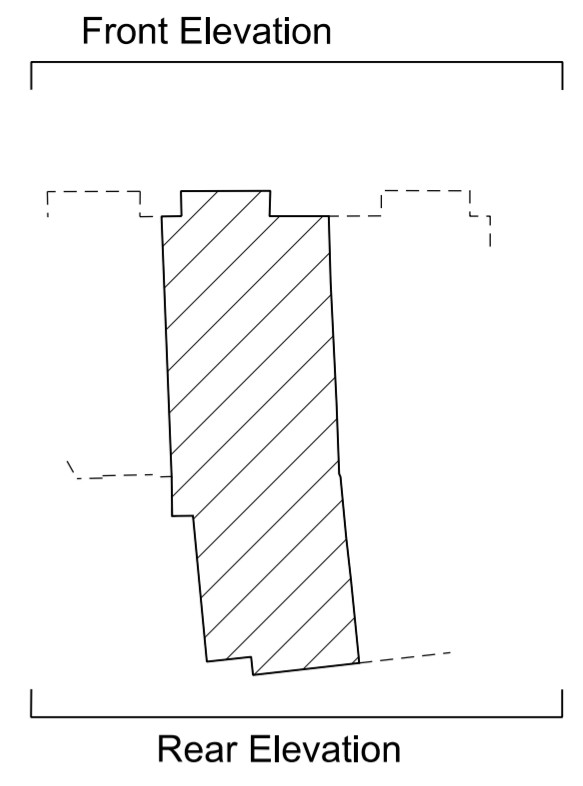


# Proposed Front Elevation

<b>ungar</b> architects 10 - 12 Perrins Court London, NW3 1QS UK Tel: +44 (0)20 7431 7547	Project	31 Willoughby Road
	Subject	Proposed Front Elevation
	Scale	1:50
	Date	02/12/2014
	Original Size	A2
Unless indicated below, this drawing is for information only.		
Issue / Revision	Date	Rev.
Drawing No.	109_R_ELE_F	



This drawing is for Planning Application only



# Proposed Rear Elevation



This drawing is for Planning Application only

<b>ungar</b> architects 10 - 12 Perrins Court London, NW3 1QS UK Tel: +44 (0)20 7431 7547	Project 31 Willoughby Road	
	Subject Proposed Rear Elevation	
	Scale 1:50	Date 02/12/2014
	Original Size A2	
Unless indicated below, this drawing is for information only.		
Issue / Revision	Date	Rev.
Planning	16.12.16	A
Drawing No.		<b>109_R_ELE_R</b>