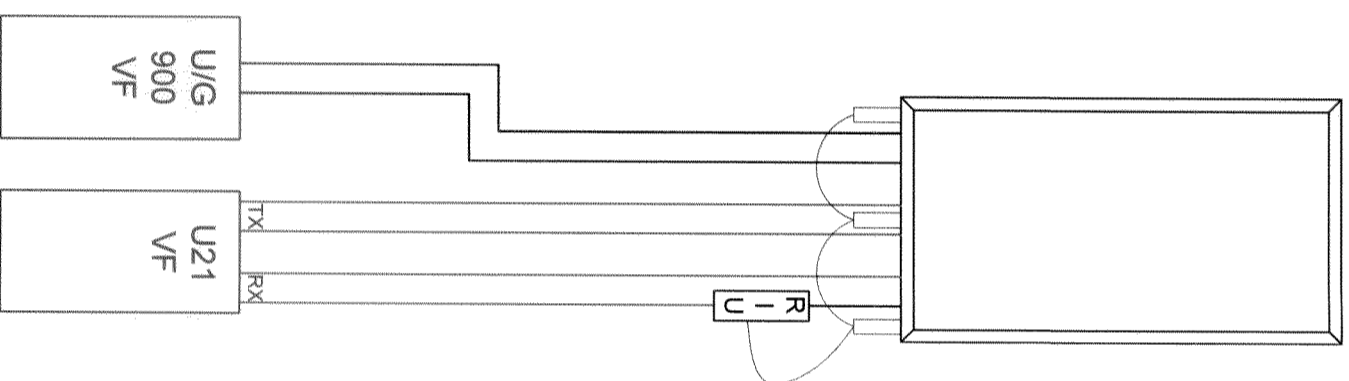


MX4 - OPTION 1 - E_XRS_330_264

**COMMSCOPE
RVVPX308.14R3
6-PORT**

2100 4TX4RX



- GENERAL NOTES:**
- 1.1) USE WRITTEN DIMENSIONS ONLY
 - 1.2) ALL DIMENSIONS ARE IN MM UNLESS SPECIFIED
 - 1.3) ASSUME ALL SITE DETAILS ARE EXISTING UNLESS SPECIFIED

REV	ISSUE	DATE	DRN	APP
A	FIRST ISSUE	03.11.16	NP	GD
B	ELEVATION REVISION	21.11.16	NP	GD
C	TOWER HEIGHT REVISION	06.12.16	NP	GD

© THIS DRAWING IS THE COPYRIGHT OF NET COVERAGE SOLUTIONS LTD AND MAY NOT BE REPRODUCED OR DISCLOSED TO A THIRD PARTY IN ANY FORM WITHOUT WRITTEN PERMISSION



NET COVERAGE SOLUTIONS
CRAVEN COURT
STANHOPE ROAD
CAMBERLEY
SURREY GU15 3BS
TEL: +44(0)1276 854440
FAX: +44(0)1276 854450

O₂
CTIL

OPERATOR REF NO. CTIL:R150140 TEF:71883 VF:87676

OPERATOR: CTIL

DRAWING TITLE: VF ANTENNA SCHEMATICS
PROPOSED

SCALE: N/A

SITE NO. 71883

SITE NAME: BLACKBURN ROAD

SITE ADDRESS: WEST HAMPSTEAD STATION
BLACKBURN ROAD
WEST HAMPSTEAD
LONDON NW6 2LS

OS GRID REFERENCE:
525706/184688

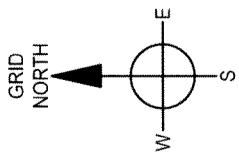
DRAWN: NP CHK: GD APP: GD

DATE: 03.11.16

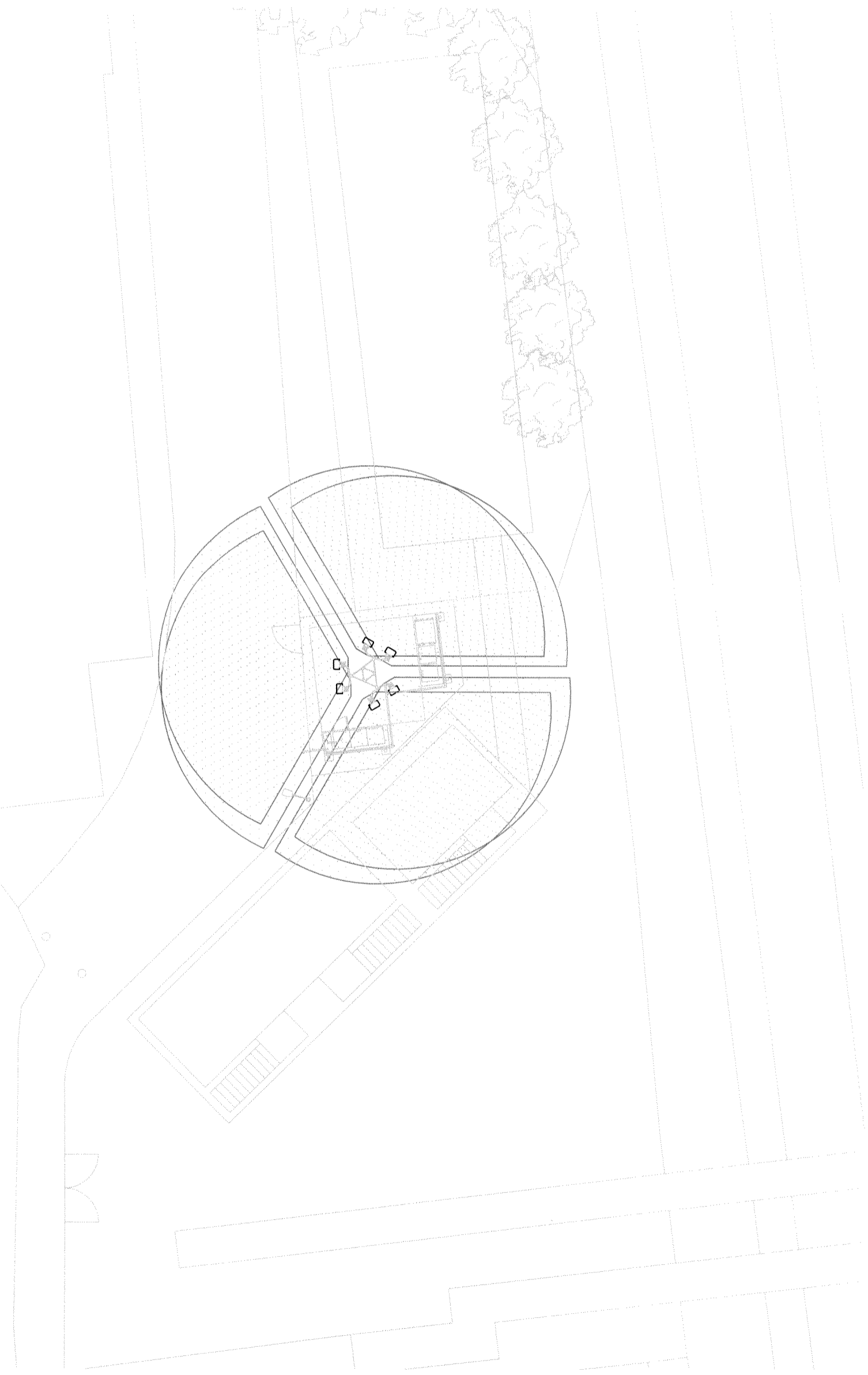
SITE NO.	OPERATOR	DRG NO.	REVISION
71883	CTIL	502	C

ORIGINAL DRAWING SIZE: A3

VF ANTENNA SCHEMATICS (N.T.S)



GENERAL NOTES:
 1.1) USE WRITTEN DIMENSIONS ONLY
 1.2) ALL DIMENSIONS ARE IN MM UNLESS SPECIFIED
 1.3) ASSUME ALL SITE DETAILS ARE EXISTING UNLESS SPECIFIED



C	TOWER HEIGHT REVISED	06.12.16	NP	GD	
B	ELEVATION VIEW AMENDED	23.11.16	NP	GD	
A	FIRST ISSUE	03.11.16	NP	GD	
REV	ISSUE	DATE	DRN	APP	

© THIS DRAWING IS THE COPYRIGHT OF NET COVERAGE SOLUTIONS LTD AND MAY NOT BE REPRODUCED OR DISCLOSED TO A THIRD PARTY IN ANY FORM WITHOUT WRITTEN PERMISSION

net
 NET COVERAGE SOLUTIONS
 CRAVEN COURT
 STANHOPE ROAD
 CAMBERLEY
 SURREY GU15 3BS
 TEL: +44(0)1276 854440
 FAX: +44(0)1276 854450

O₂
 CTIL

OPERATOR REF NO:	CTILd150140	TEF:	71883	VF:	07676
OPERATOR:	CTIL				
DRAWING TITLE:	ICNIRP PLAN PROPOSED				
SCALE:	1:150				
SITE NO.:	71883				
SITE NAME:	BLACKBURN ROAD				
SITE ADDRESS:	WEST HAMPSTEAD STATION BLACKBURN ROAD WEST HAMPSTEAD LONDON NW6 2LS				
OS GRID REFERENCE:	525706/184688				
DRAWN:	NP	CHK:	GD	APP:	GD
DATE:	03.11.16				
SITE NO.:	71883	OPERATOR:	CTIL	DRG NO.:	801 - C
REVISION:					

PROPOSED ICNIRP PLAN (SCALE 1:150)

ORIGINAL DRAWING SIZE: A3