

Proposed Double Casement Door

| Rev | Date | Description |
|-----|----------|-------------|
| XX | XX:XX:XX | XXXX |

Internal View

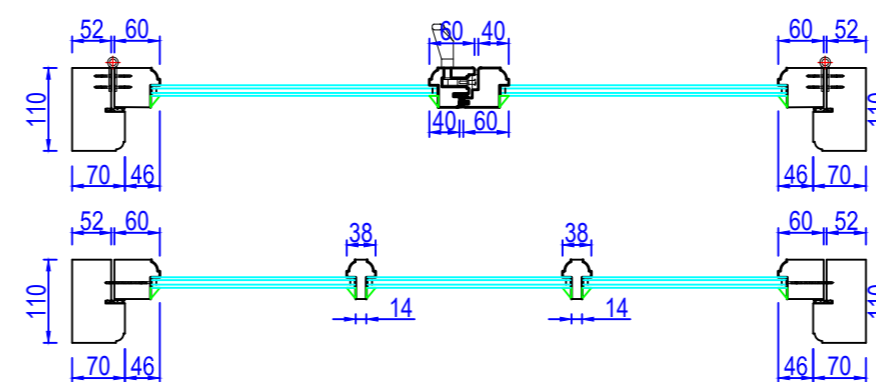
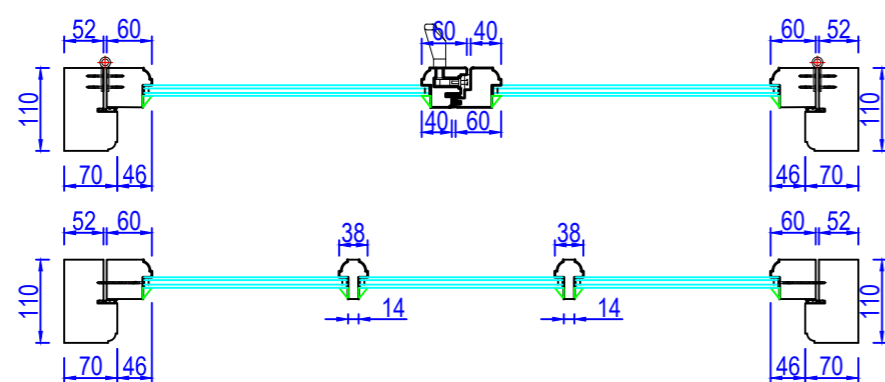
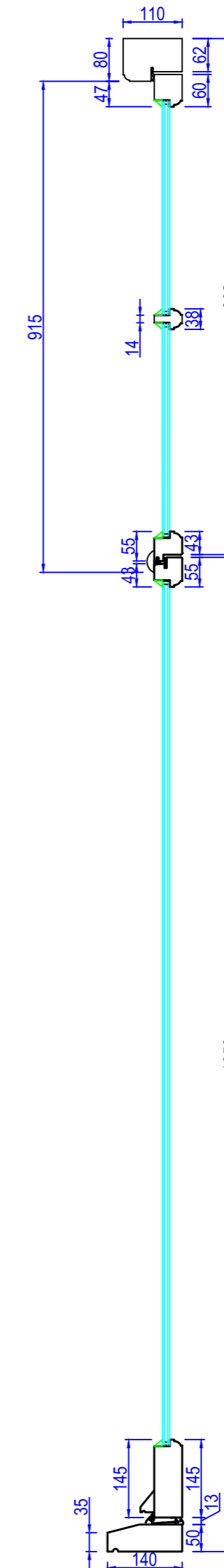
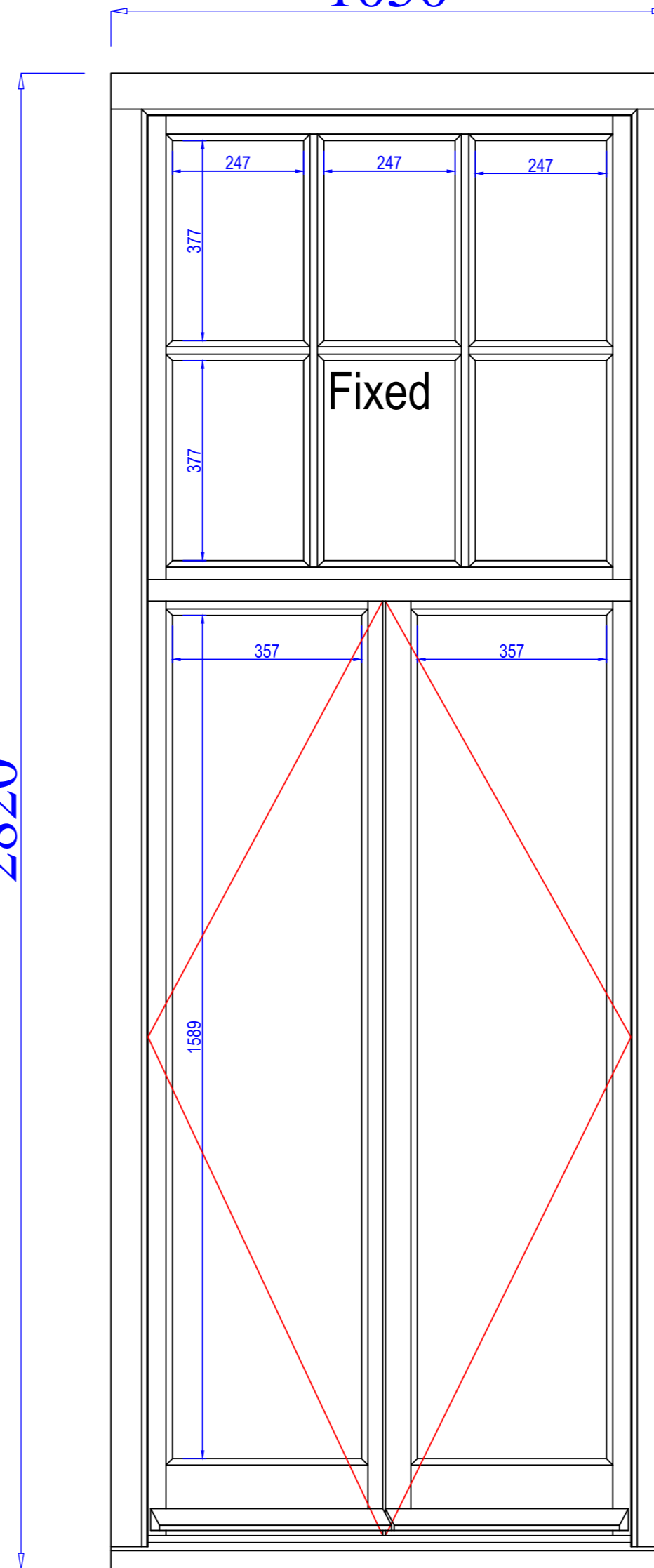
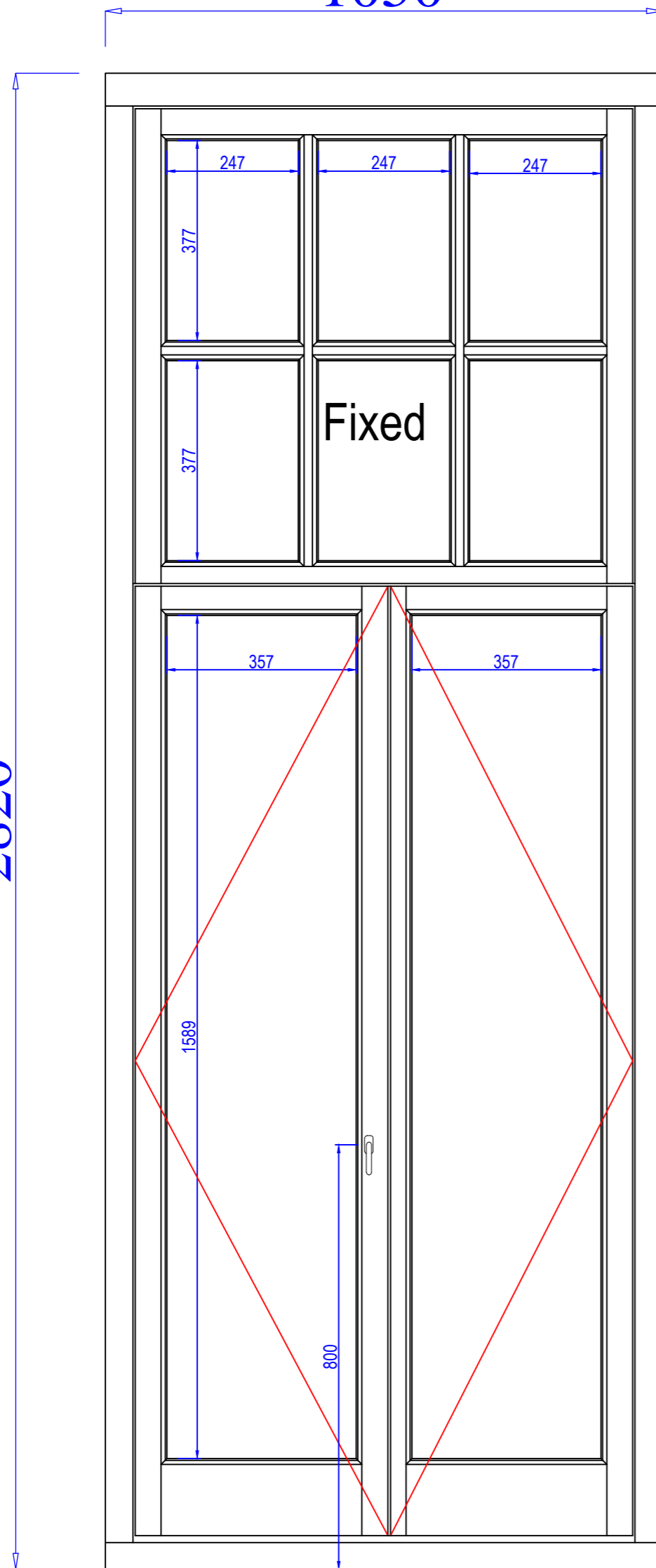
External View

1050

1050

2820

2820



Arcus Consulting LLP
 Wakefield 0192 466 9000 Manchester 0161 905 3222 London 0208 8742 2512
 Liverpool 0151 708 1080 Newcastle 0191 272 5781 Rugby 01788 297 127
 info@arcus.uk.com www.arcus.uk.com

Client
 ORIGIN HOUSING

Project
 RUSSELL MANSIONS
 EXTERNAL REPAIRS, ROOFING WORKS AND WINDOW REPLACEMENT

Title
 FRONT ELEVATION WINDOW REPLACEMENT
 PROPOSED REPLACEMENT WINDOW TYPE D -
 FRENCH WINDOWS WITH FIXED LIGHT ABOVE

| Scale | Date | Stage |
|------------|------------|--------|
| A2 - 1:100 | 12.12.2016 | Tender |

| Job No | Drawing No | Rev |
|--------|------------|-----|
| 4272 | 204 | T |

| Drawn | Approved |
|-------|----------|
| MIRK | AG |

This drawing is the copyright of Arcus. Contractors must check all dimensions on site. Do not scale the drawings. Only figured dimensions are to be worked to.