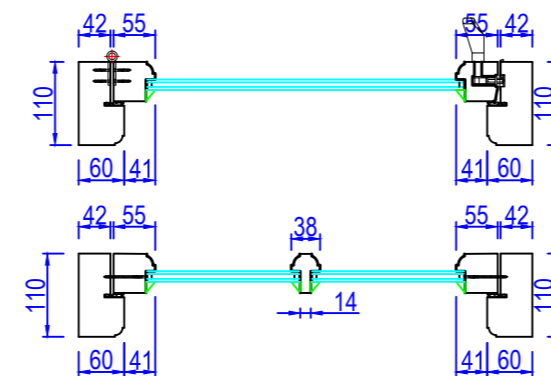
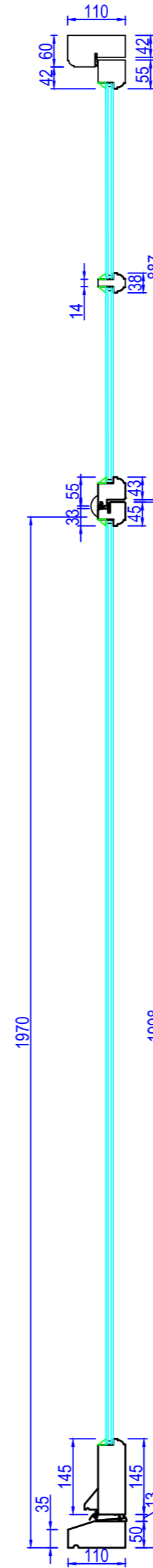
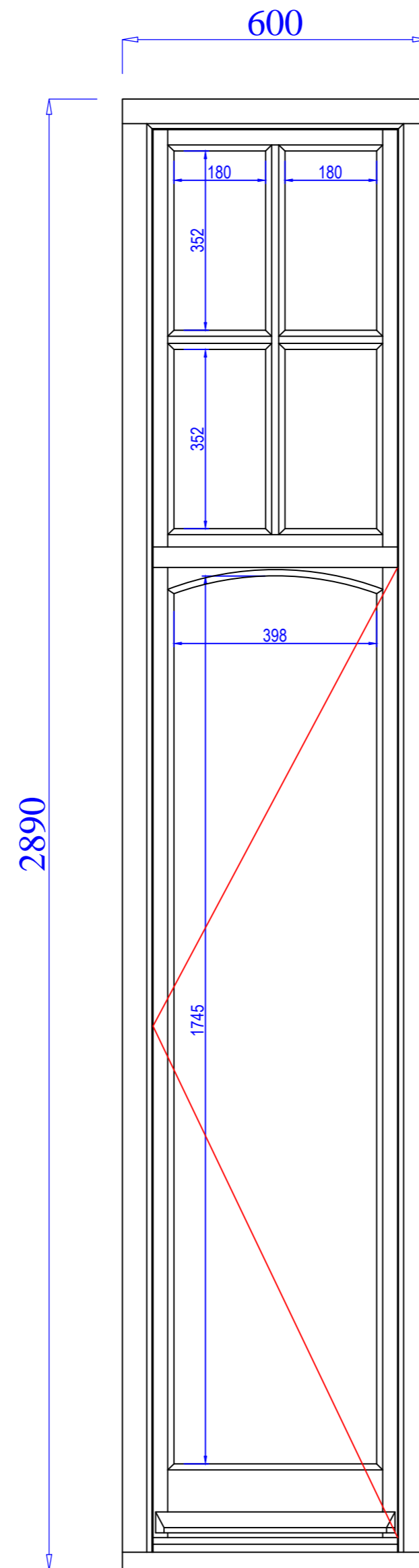
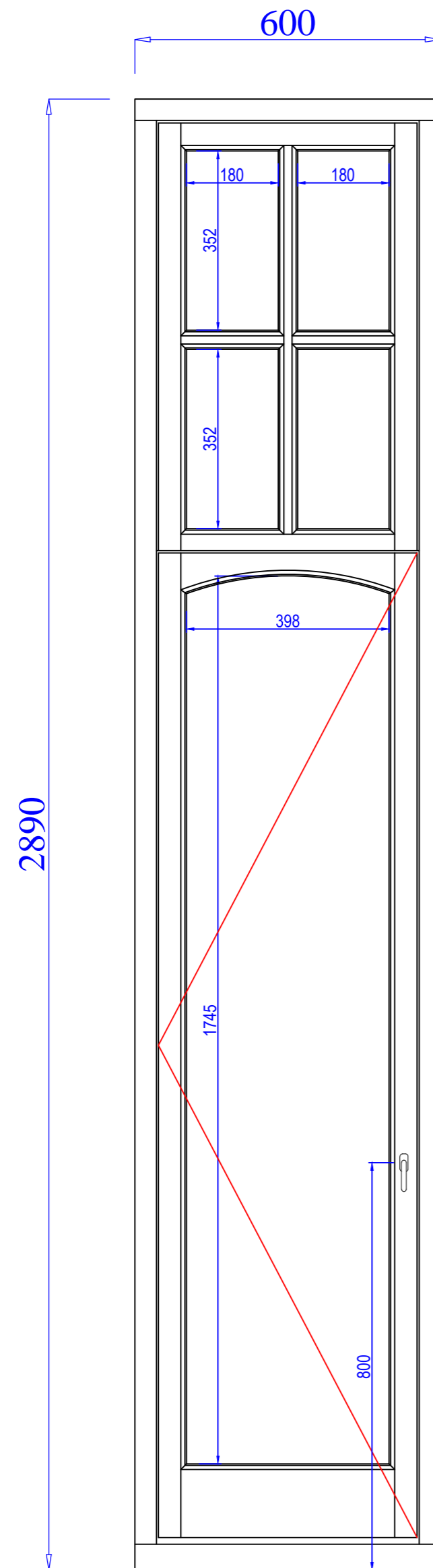


# Proposed Single Casement Door

Internal View

External View



Rev	Date	Description
XX	XX:XX:XX	XXXX



Arcus Consulting LLP  
 Wakefield 0192 466 9000 Manchester 0161 905 3222 London 0208 8742 2512  
 Liverpool 0151 708 1080 Newcastle 0191 272 5781 Rugby 01788 297 127  
 info@arcus.uk.com www.arcus.uk.com

Client  
 ORIGIN HOUSING

Project  
 RUSSELL MANSIONS  
 EXTERNAL REPAIR S, ROOFING WORKS AND WINDOW REPLACEMENT

Title		
FRONT ELEVATION WINDOW REPLACEMENT PROPOSED REPLACEMENT WINDOW TYPE C - LARGE CASEMENT WITH FIXED LIGHT ABOVE		
Scale	Date	Stage
A2 - 1:100	12.12.2016	Tender
Job No	Drawing No	Rev
4272	203	T
Drawn	Approved	
MRK	AG	

This drawing is the copyright of Arcus. Contractors must check all dimensions on site. Do not scale the drawings. Only figured dimensions are to be worked to.