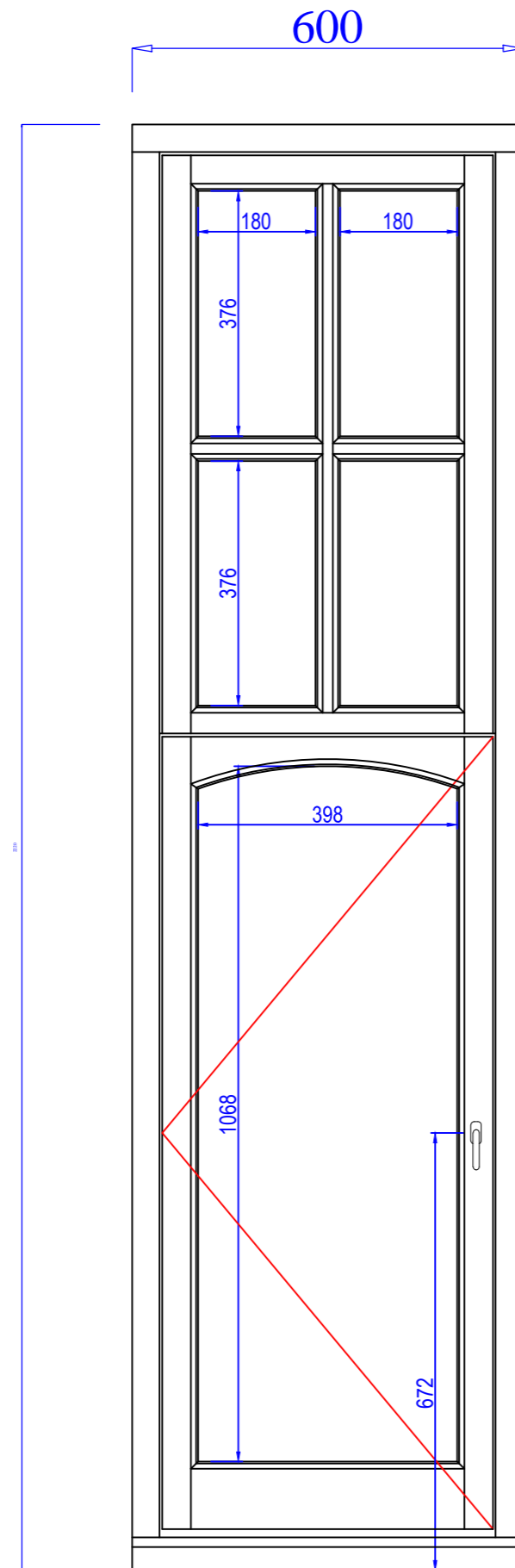


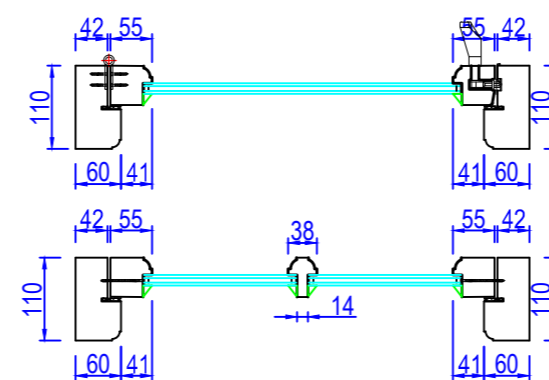
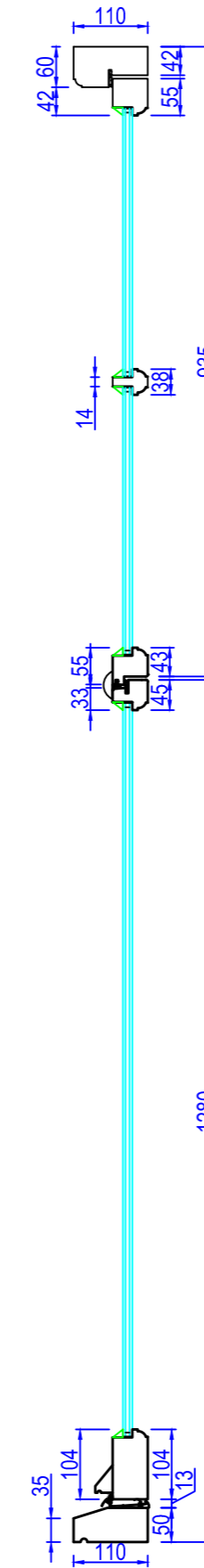
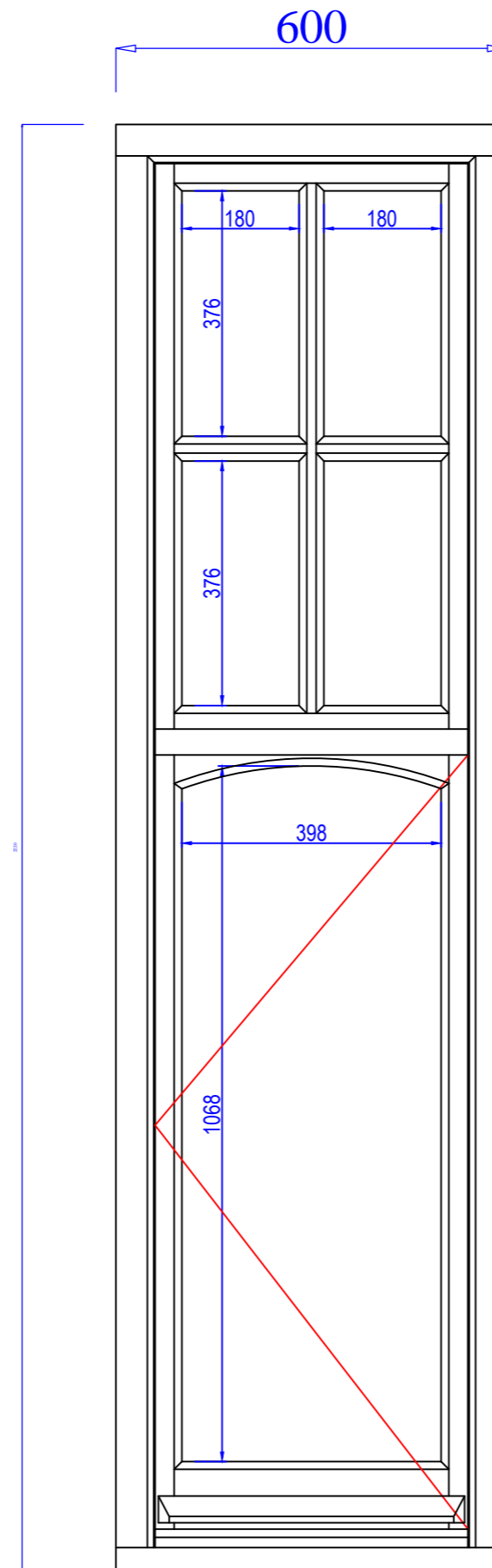
# Proposed Casement Window

Rev	Date	Description
XX	XX:XX:XX	XXXX

Internal View



External View



Arcus Consulting LLP  
 Wakefield 0192 466 9000 Manchester 0161 905 3222 London 0208 8742 2512  
 Liverpool 0151 708 1080 Newcastle 0191 272 5781 Rugby 01788 297 127  
 info@arcus.uk.com www.arcus.uk.com

Client  
 ORIGIN HOUSING

Project  
 RUSSELL MANSIONS  
 EXTERNAL REPAIR S, ROOFING WORKS AND WINDOW REPLACEMENT

Title  
 FRONT ELEVATION WINDOW REPLACEMENT  
 PROPOSED REPLACEMENT WINDOW TYPE B  
 SMALL CASEMENT WITH FIXED LIGHT ABOVE

Scale	Date	Stage
A2 - 1:100	12.12.2016	Tender
Job No	Drawing No	Rev
4272	202	T

Drawn	Approved
MRK	AG

This drawing is the copyright of Arcus. Contractors must check all dimensions on site. Do not scale the drawings. Only figured dimensions are to be worked to.