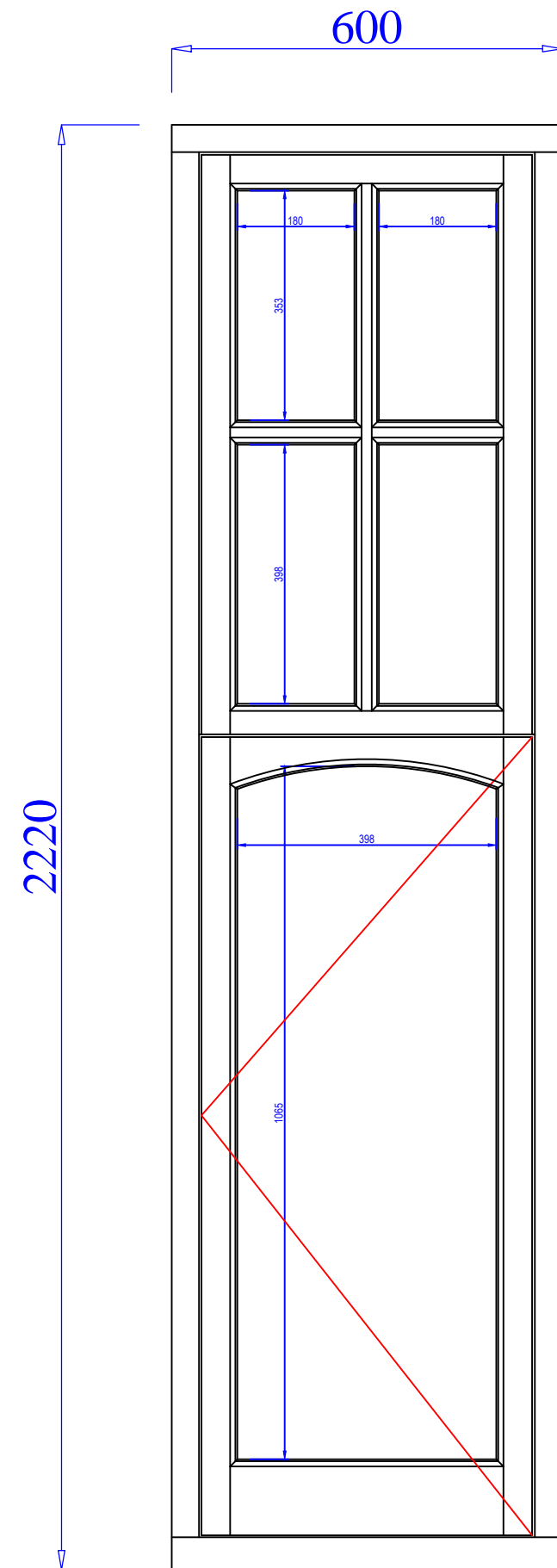


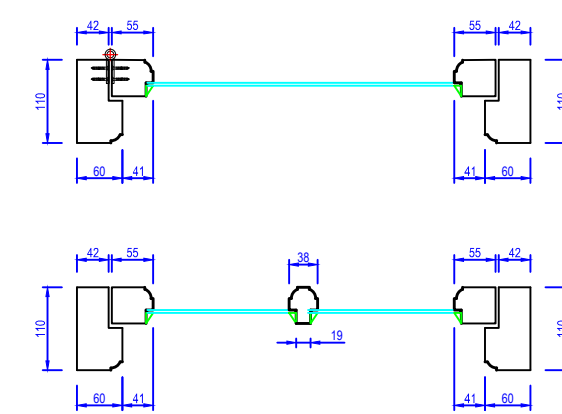
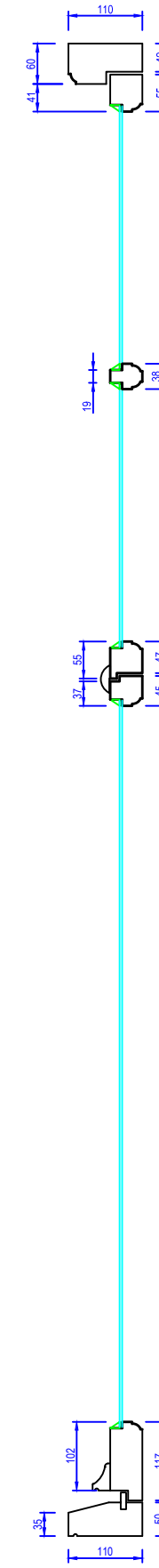
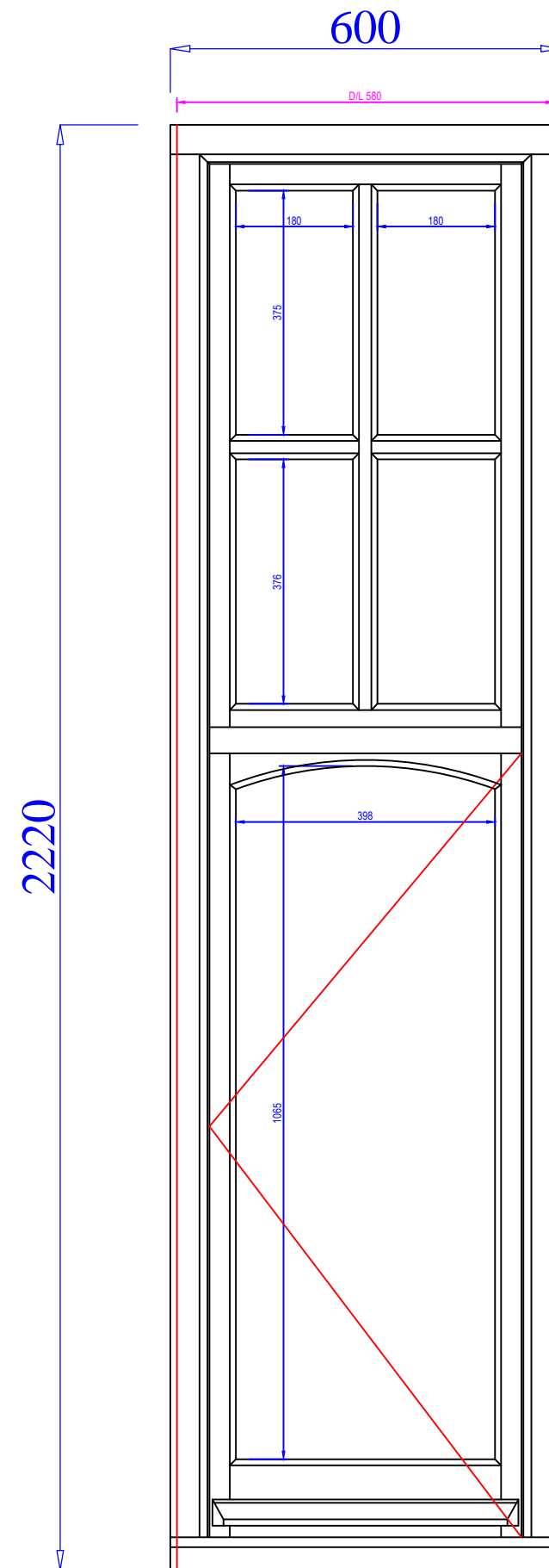
Rev	Date	Description
XX	XX:XX:XX	XXXX

Existing Casement Window

Internal View



External View



Arcus Consulting LLP
 Wakefield 0192 466 9000 Manchester 0161 905 3222 London 0208 8742 2512
 Liverpool 0151 708 1080 Newcastle 0191 272 5781 Rugby 01788 297 127
 info@arcus.uk.com www.arcus.uk.com

Client
 ORIGIN HOUSING

Project
 RUSSELL MANSIONS
 EXTERNAL REPAIR S, ROOFING WORKS AND WINDOW REPLACEMENT

Title
 FRONT ELEVATION WINDOW REPLACEMENT
 EXISTING WINDOW TYPE B - SMALL CASEMENT WITH FIXED LIGHT ABOVE

Scale	Date	Stage
A2 - 1:100	12.12.2016	Tender
Job No	Drawing No	Rev
4272	102	T
Drawn	Approved	
MRK	AG	

This drawing is the copyright of Arcus. Contractors must check all dimensions on site. Do not scale the drawings. Only figured dimensions are to be worked to.