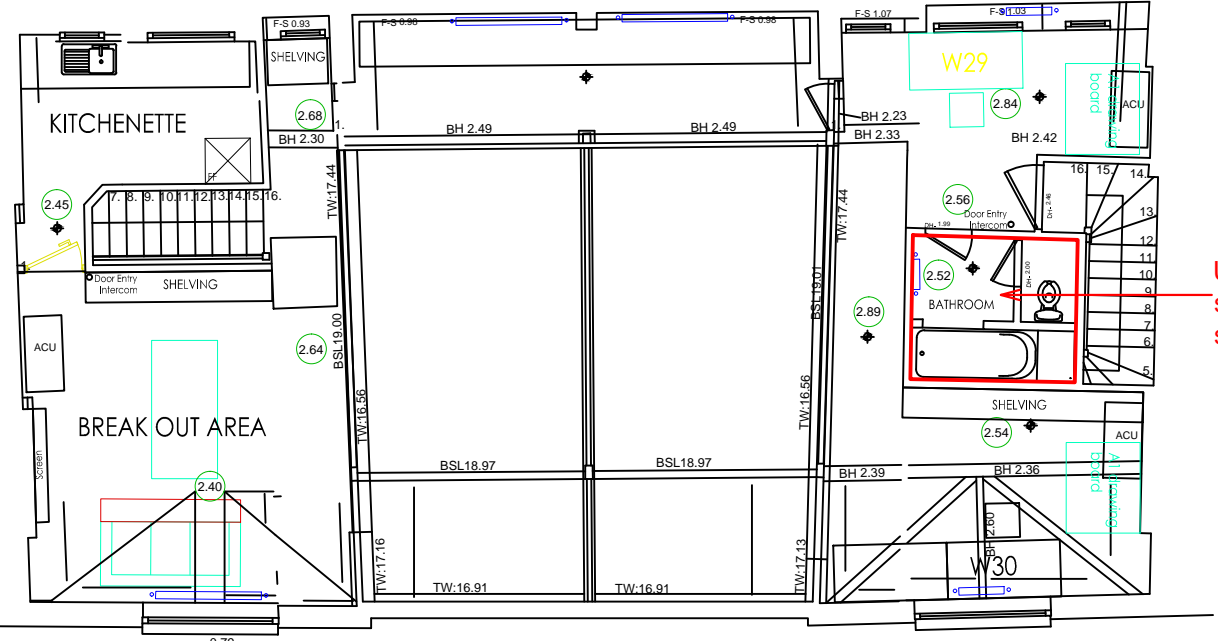


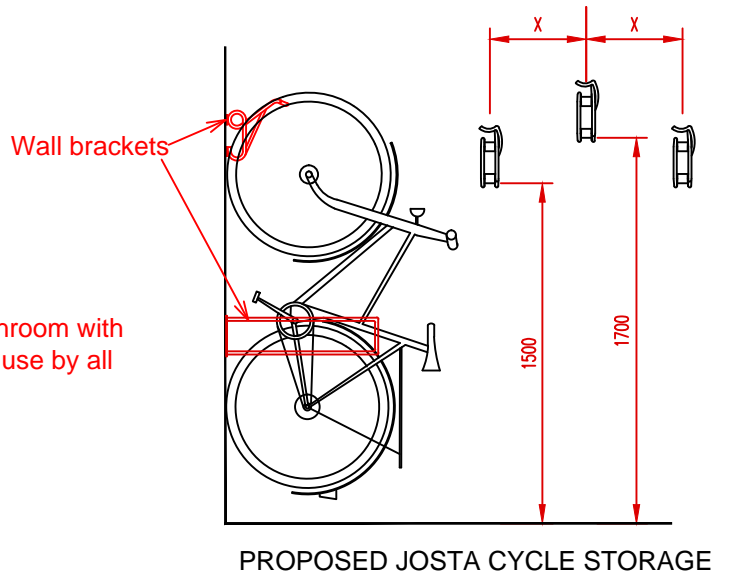
GROUND FLOOR PLAN



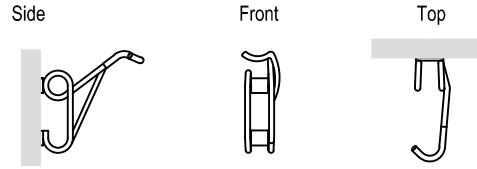
FIRST FLOOR PLAN



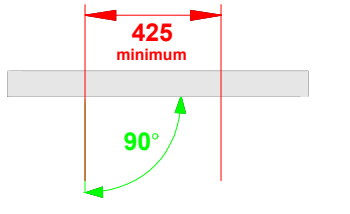
SECOND FLOOR PLAN



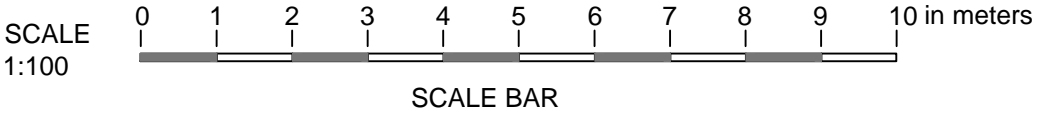
PROPOSED JOSTA CYCLE STORAGE



TOP BRACKET ELEVATIONS



TOP BRACKET SETTING OUT



SCALE 1:100

SCALE BAR

PROJECT:  
OFFICES,  
13-15 CANFIELD  
PLACE, LONDON.  
NW6 3BT

TITLE:  
DETAILS FOR DISCHARGE  
OF CONDITION 3.  
REF: 2015/4095/P

MISTRY DESIGN

Drawn: P. S. MISTRY SCALE: 1:100  
Tel: 07958944584 Page Size: A3  
Date: AUGUST 2016  
DRAWING NO: 1551/01