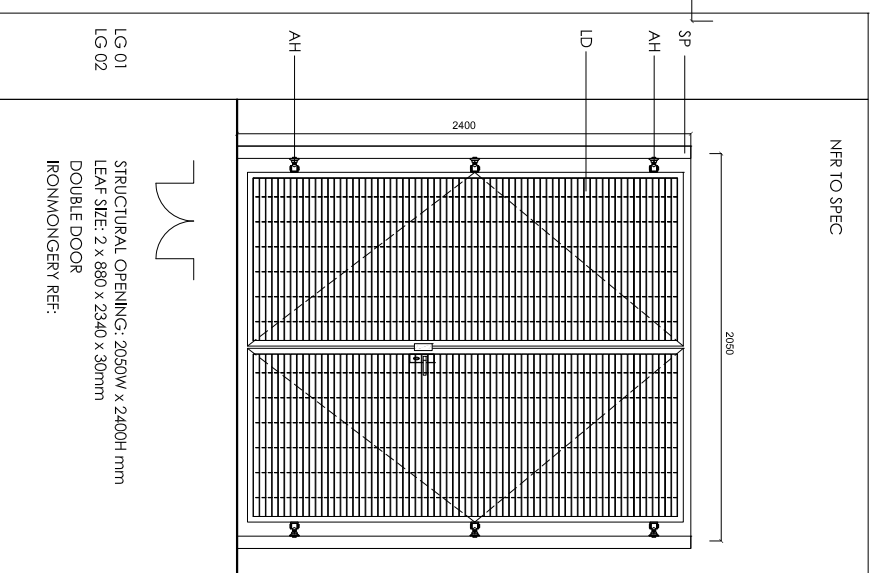
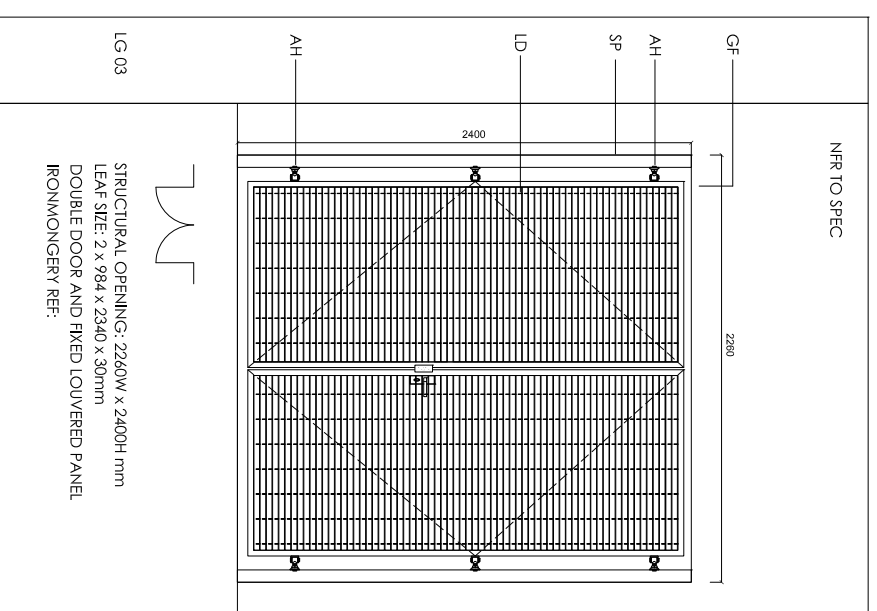


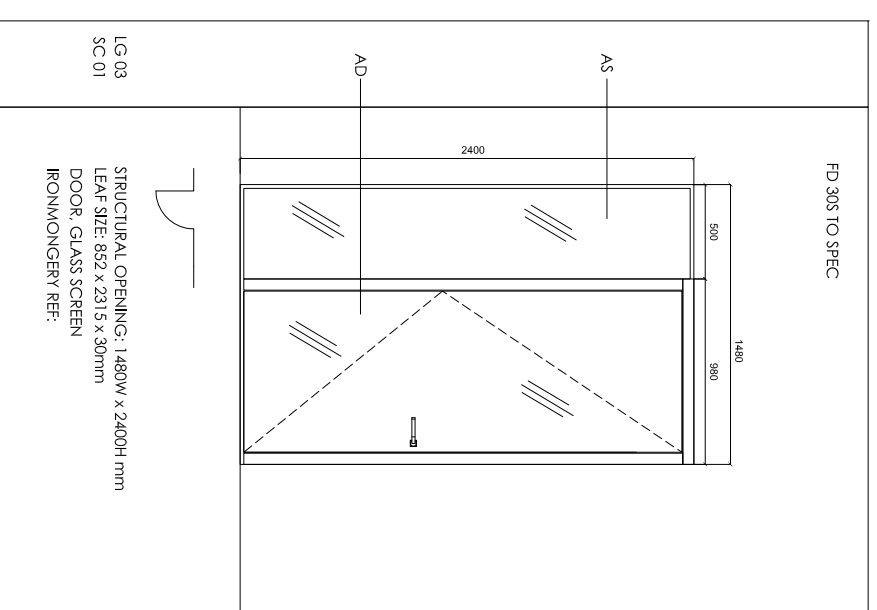
EXTERNAL ENTRANCE DOOR TO RESIDENTIAL UNITS



EXTERNAL LOUVRE DOOR TO REFUSE COLLECTION



EXTERNAL LOUVRE DOOR TO SUPPLY / EXTRACT DUCTS & CONDENSER UNITS



EXTERNAL EMERGENCY MEANS OF ESCAPE GLASS DOOR AND GLASS SCREEN

Notes

- FOLLOW MANUFACTURERS INSTRUCTIONS/RECOMMENDATIONS FOR ALL INSTALLATIONS
- REFER TO RELATIVE CONSULTANT'S REPORTS FOR FURTHER DETAILS WHEN APPLICABLE
- TO BE READ IN CONJUNCTION WITH STRUCTURAL ENGINEER DRAWINGS
- TO BE READ IN CONJUNCTION WITH MECHANICAL ENGINEER DRAWINGS
- 1 HOUR FIRE RATING TO ALL STRUCTURAL ELEMENTS.
- 30 MIN. FIRE RATING TO ALL INTERNAL PARTITIONS AND FLOORS
- IF THE MATERIAL IS NOT PRESCRIBED, CONTRACTOR TO PROVIDE PROPOSALS AND SAMPLES FOR APPROVAL PRIOR TO ORDER
- CONTRACTOR TO COMPLY WITH OR BUILDING CONTROL REQUIREMENTS

LEGEND:

- DX XX - DOOR REFERENCE
- LD - PPC STEEL LOUVRED DOORS REF: LANG & FULTON DELTA WING 90
- SP - PPC STEEL POST COLOUR RAL : 7003:
- TD - TRADITIONAL 4 PANELED PAINTED SOLID CORE DOOR
- TA - TRADITIONAL PAINTED HARDWOOD ARCHITRAVE
- FD - FLUSH PAINTED SOLID CORE DOOR
- FA - FLUSH PAINTED HARDWOOD ARCHITRAVE
- FL - FANLIGHT WINDOW
- CG - 8MM CLEAR LAMINATED GLASS
- AH - ADJUSTABLE HINGES REF: WERALCO
- AS - PPC ALUMINIUM FRAMED SCREEN TOUGHENED DOUBLE GLAZED
- AD - PPC ALUMINIUM FRAMED DOOR TOUGHENED DOUBLE GLAZED
- GF - GAS FLUE FROM BOILER ROOM STAINLESS STEEL FINISH

Revision	Date	Reason	Initial
/	23.11.15	PRELIMINARY	JU
A	14.06.16	DETAIL DESIGN	JU/GM
B	06.09.16	DETAIL DESIGN	GM

Dimensions based on topological survey by EPC commercial surveys Ltd
All dimensions must be checked on site and not scaled from this drawing
© Mark Fairhurst Ltd.

mark fairhurst ARCHITECTS

48A, Union Street, London, SE1 1TD, T: 020 7407 7070, E: info@mark-fairhurst.co.uk
Project: Cock Tavern, 23 Phoenix Road, London NW1 1HB
Client: Flamestrike Ltd.

Drawing title: External Door General Arrangement
Scale: 1:20@A1 Date: 14.06.16 Drawn by: JU/GM
Project number: 1250 Drawing number: WD270
Status: DETAIL DESIGN Revision: B