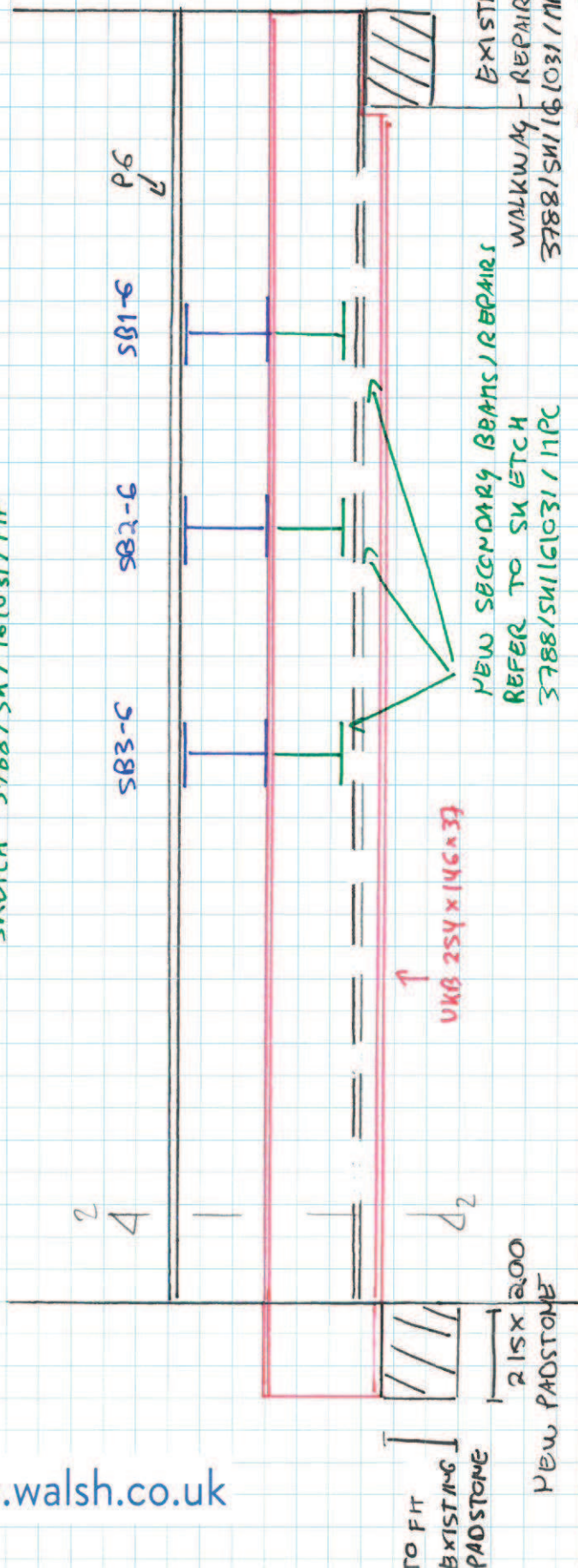


NEW SECONDARY BEAM
 UKB 152x89x16 / T-SECTION
 FOR MORE INFORMATION REFER TO
 SKETCH 3788/SK/161031/MP

NEW SUPPORTING BEAM
 UKB 254x146x37



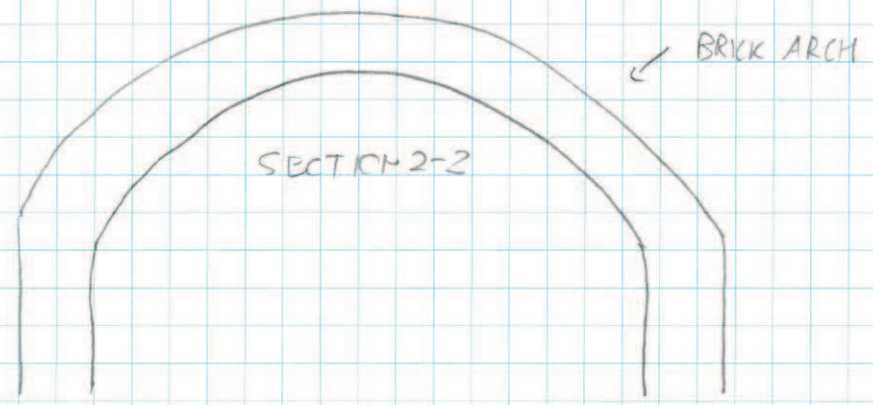
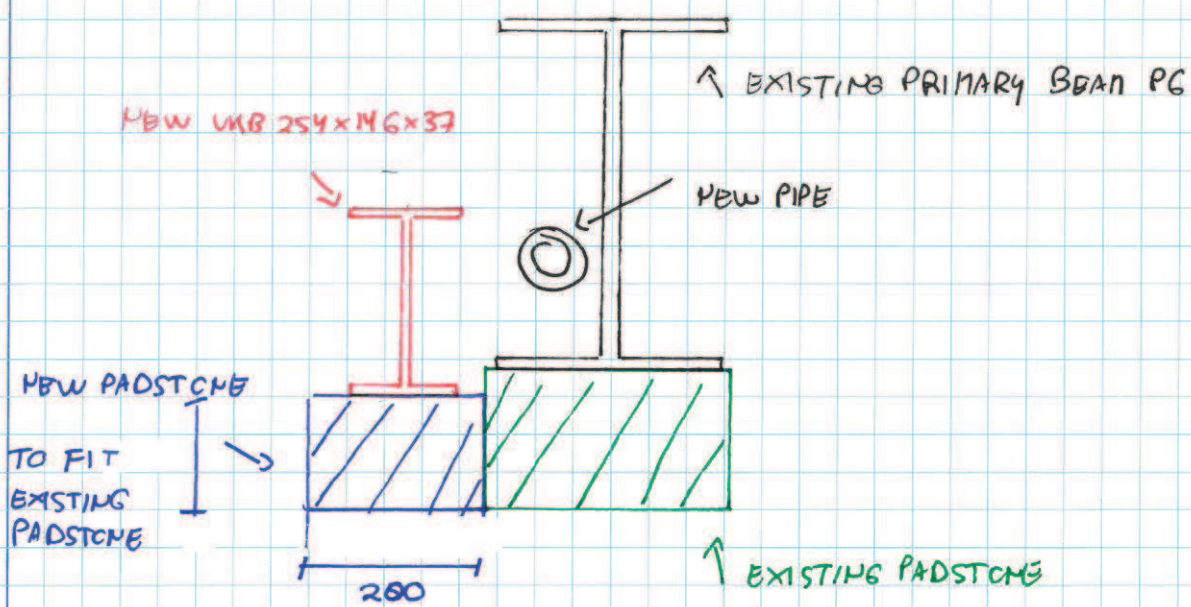
EXISTING PADSTONE
 WALKWAY - REPAIRS - SB3-G
 3788/SK/161031/MP

NEW SECONDARY BEAMS/REPAIRS
 REFER TO SKETCH
 3788/SK/161031/MP

UKB 254x146x37

ELEVATION 1-1



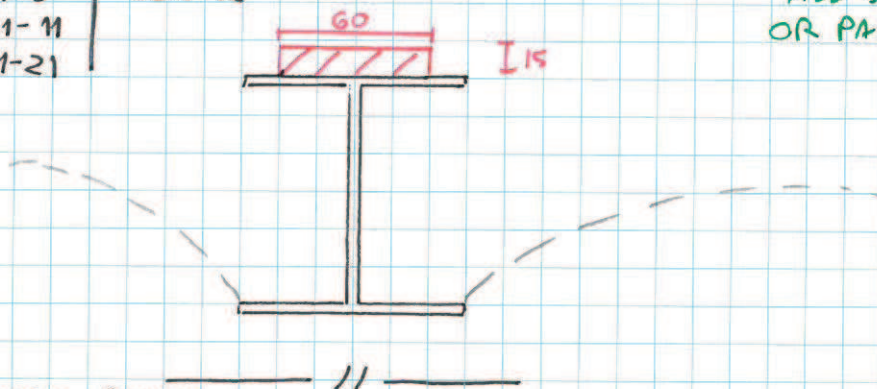


WALKWAY - REPAIRS - SB3-6
 3788/SK/16103/1/1PC/02

ADDITIONAL REPAIRS

SECONDARY BEAMS
FOR SB1-5 | SB2-1C
SB1-11 |
SB1-21

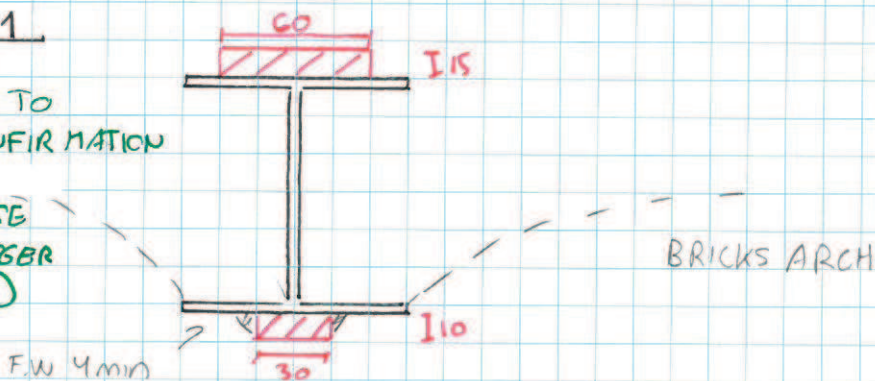
ALL STEEL 353
ALL STEEL GALVANISED
OR PAINTED EQUIVALENT



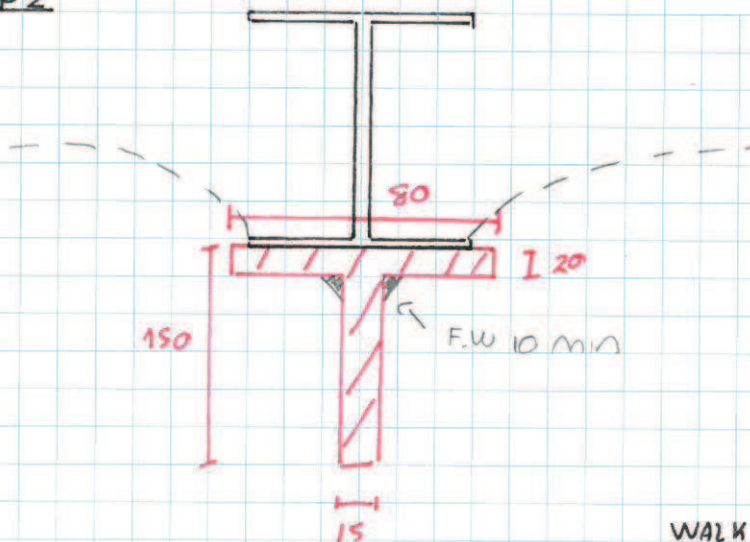
SECONDARY BEAMS
FOR ALL OTHER SB1 AND SB2 BEAMS → REFER TO PLAN

SOLUTION 1

• SUBJECTED TO WELDING CONFIRMATION ON SITE (BOTTOM FLANGE THICKNESS BIGGER THAN 4mm)



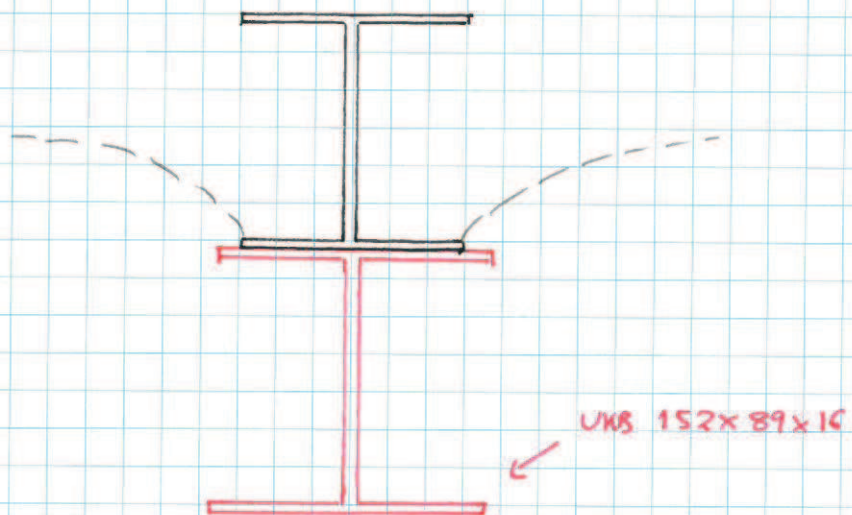
SOLUTION 2



WALKWAY - ADDITIONAL REPAIRS
3788 / SK / 161031 / MPC / 01

SECONDARY BEAMS - FOR ALL OTHER SB1 AND SB2 BEAMS

SOLUTION 3



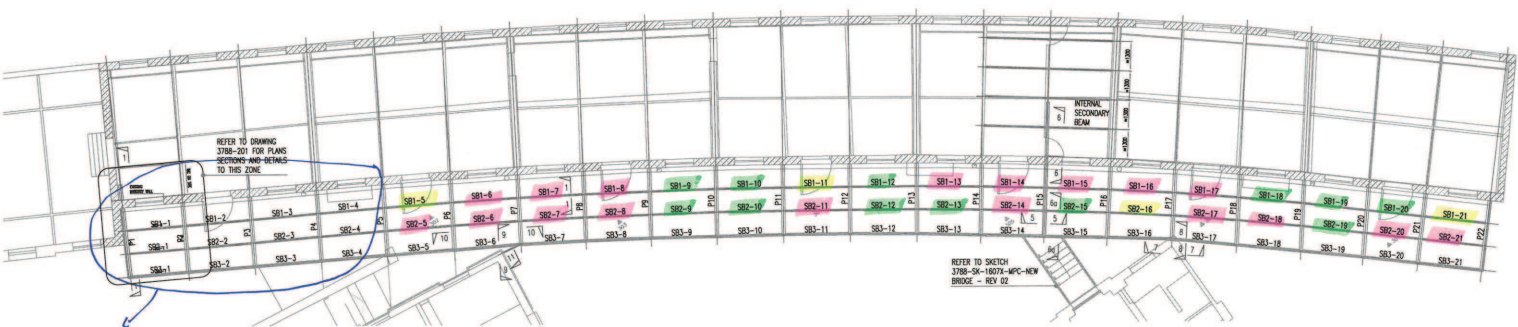
3788/SK/161031/MPC/02



Structural and Civil Engineers

32 Lafone Street
London
SE1 2LX
t: +44 (0)20 7089 6800
e: london@walsh.co.uk

walsh.co.uk



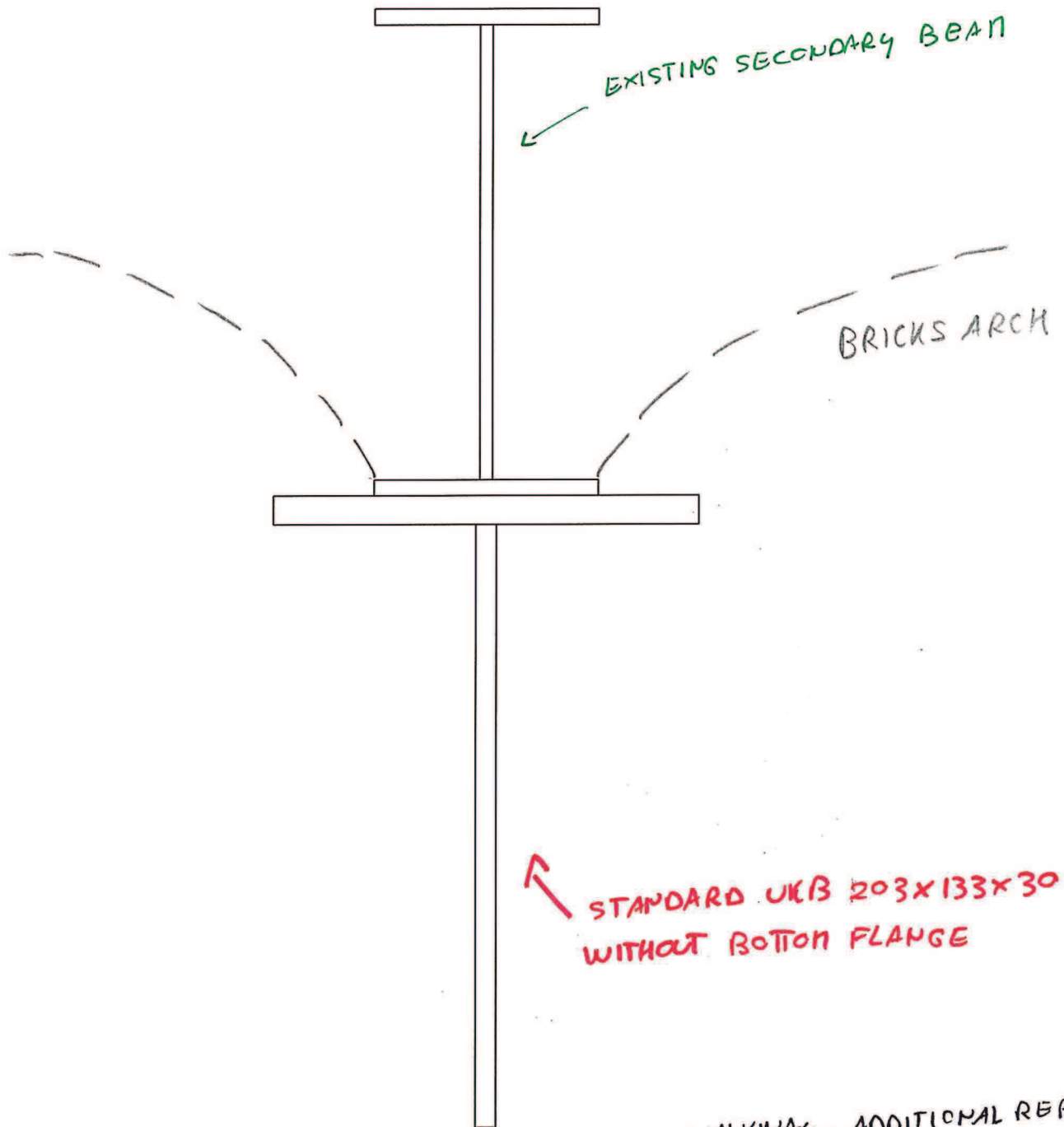
TBC AFTER STEEL CLEANING IS FINISHED

- ADD PLATE ON TOP
- ADD PLATE ON TOP AND BOTTOM (SOLUTION 1)
- ADD NEW BEAM UNDERneath EXISTING SECONDARY BEAMS (SOLUTION 2 / 3)

WALKWAY - ADDITIONAL REPAIRS
 3788/5K/16103/1 MPC/03



SOLUTION 4



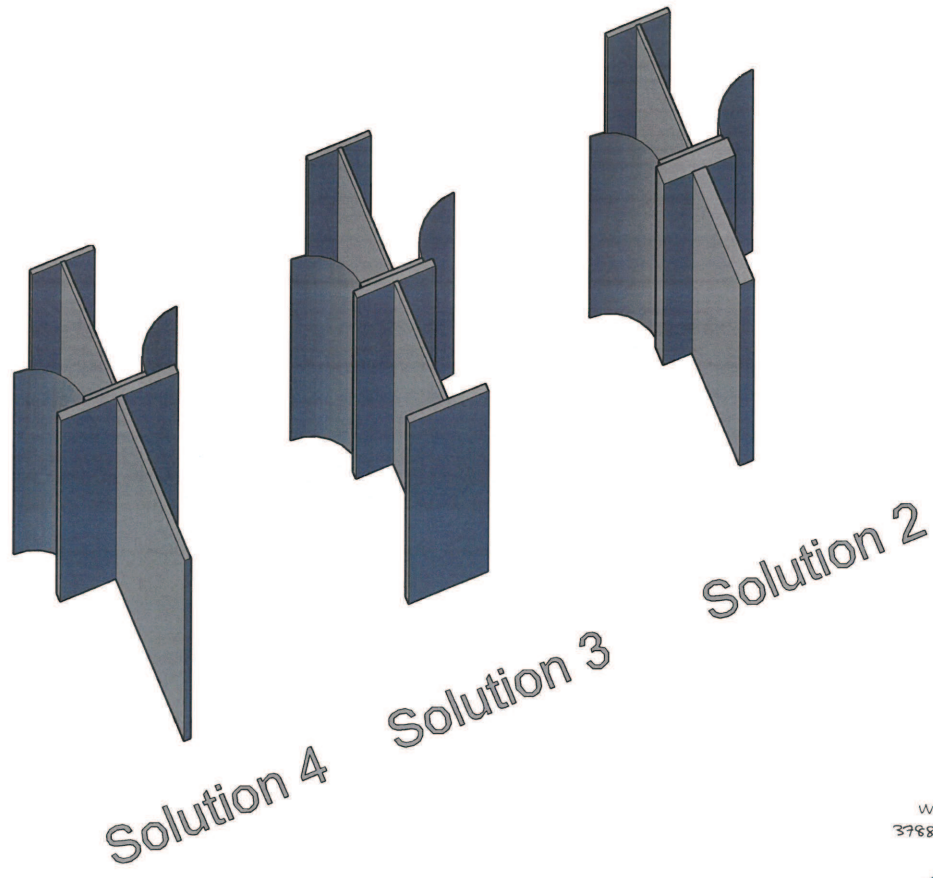
WALKWAY - ADDITIONAL REPAIRS
3788 / SK / IG1103 / MPC / 01
SOLUTION 4



Structural and Civil Engineers

32 Lafone Street
London
SE1 2LX
t: +44 (0)20 7089 6800
e: london@walsh.co.uk

walsh.co.uk



WALKWAY - ADDITIONAL REPAIRS
3788 / SKI 161103 / MPC - SOLUTIONS