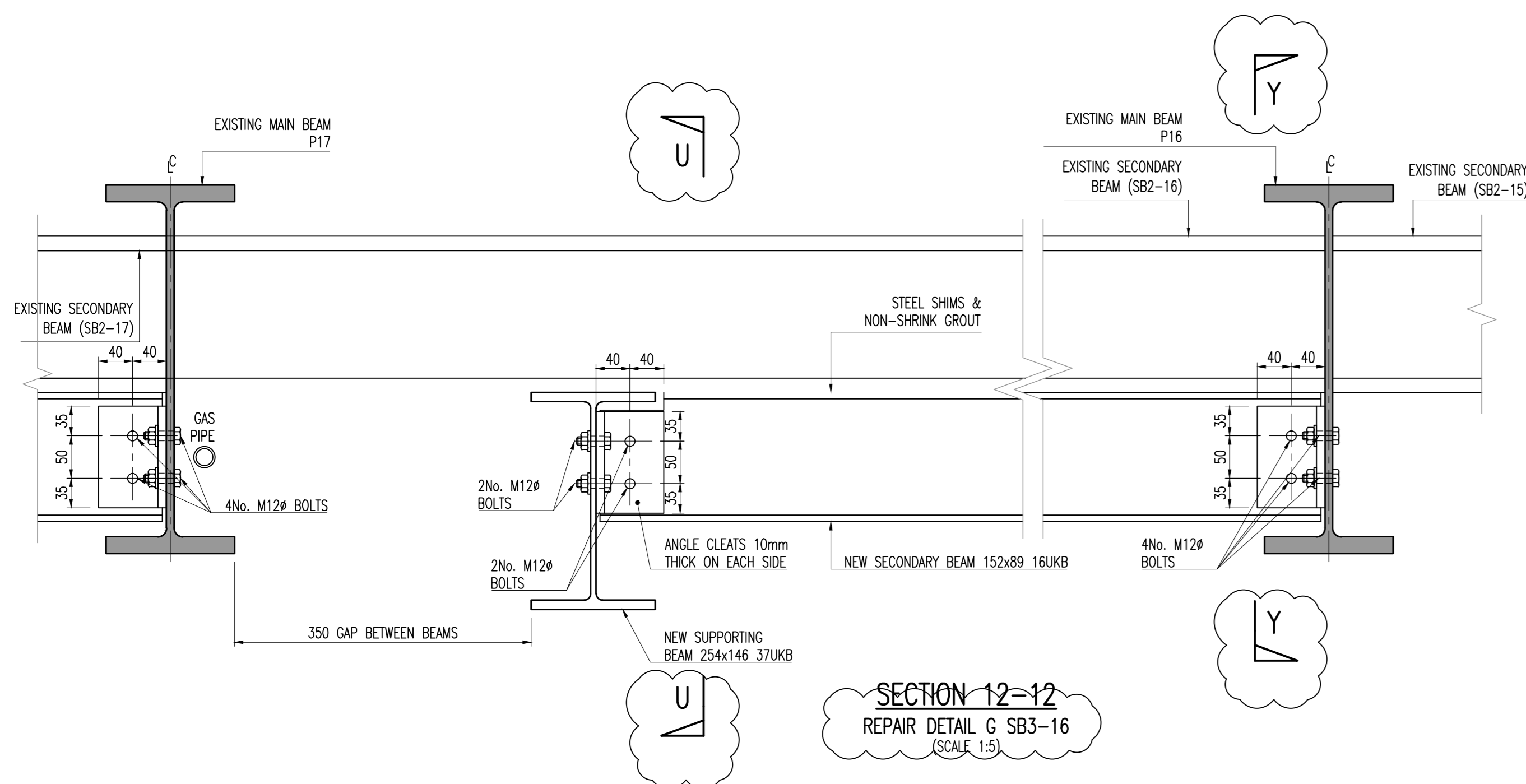
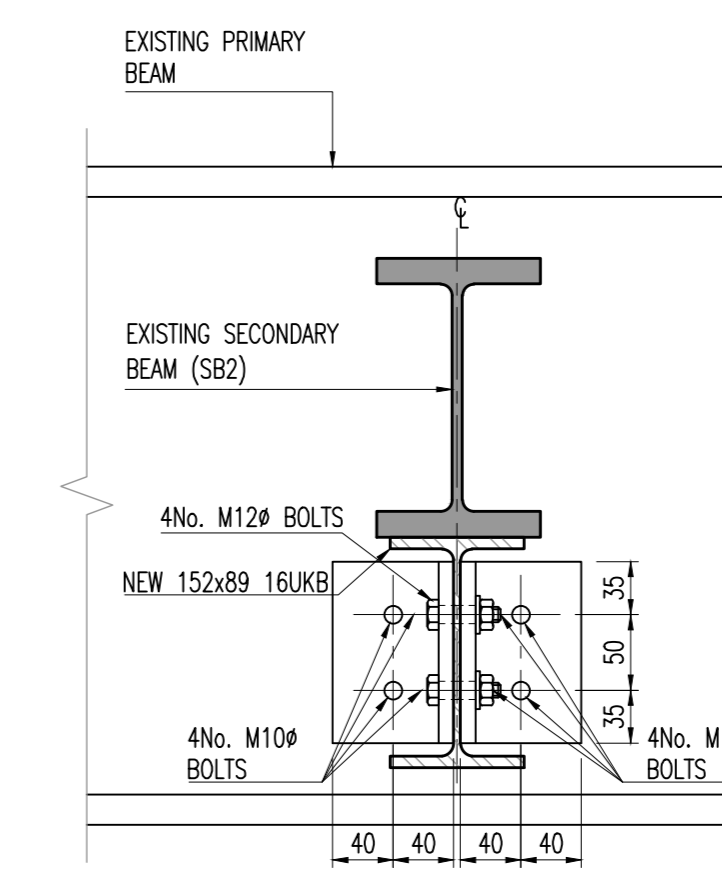


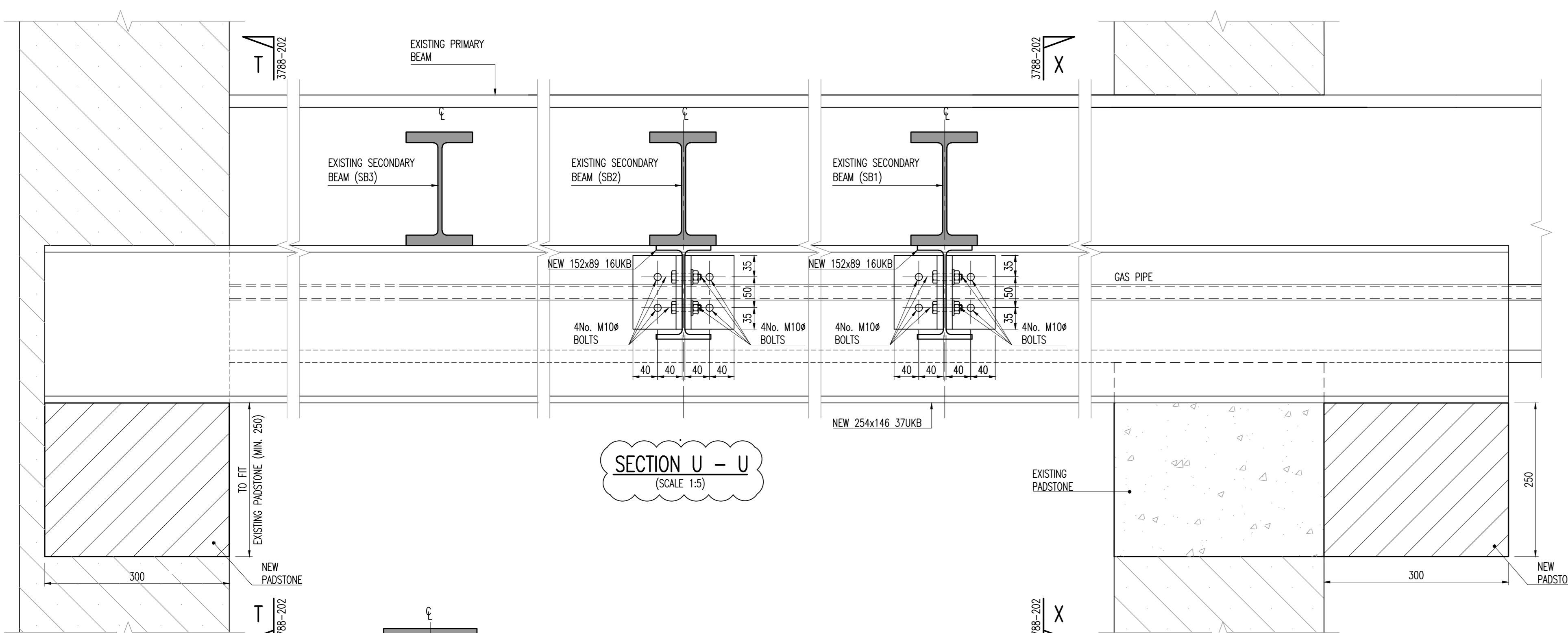
PLAN VIEW ON WALKWAY  
SHOWING ELEMENT REFERENCES  
(SCALE 1:100)



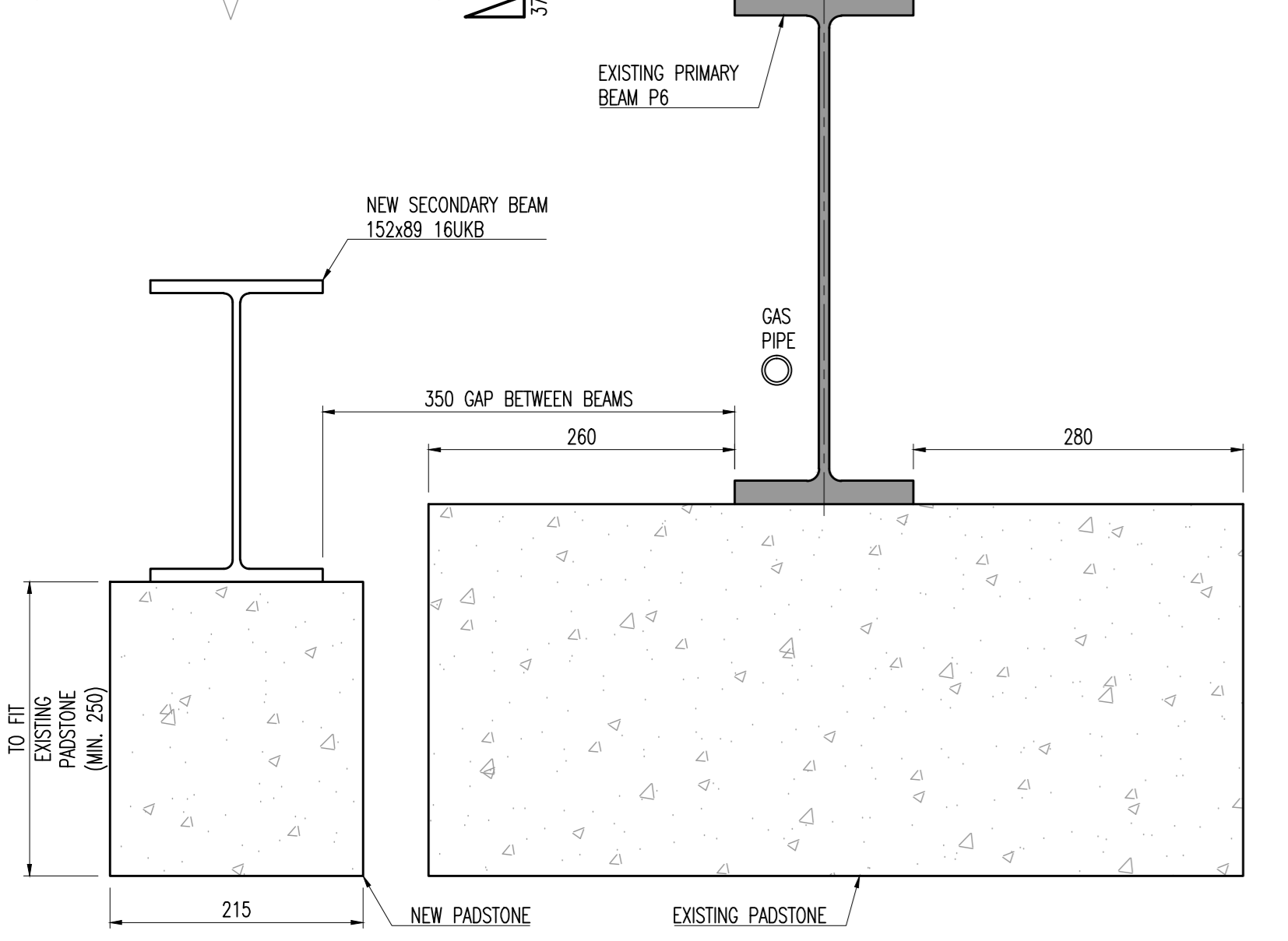
SECTION 12-12  
REPAIR DETAIL G SB3-16  
(SCALE 1:5)



SECTION Y - Y  
(SCALE 1:5)



SECTION U - U  
(SCALE 1:5)



SECTION T-T  
SECTION X-X SIMILAR BUT HANDED  
(SCALE 1:5)

ELEMENT REFERENCE	REPAIR DETAIL REF.
P1	C
P2	A
P3	A
P4	A
P5	A
P6	A
P7	A
P8	A
P9	A
P10	A
P11	A
P12	A
P13	A
P14	A
P15	D
P16	A
P17	A
P18	A
P19	A
P20	A
P21	A
P22	A

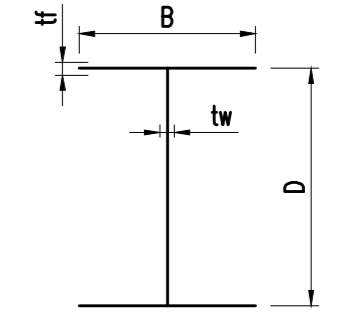
ELEMENT REFERENCE	REPAIR DETAIL REF.
SBI-1	B
SBI-2	B
SBI-3	B
SBI-4	B
SBI-5	B
SBI-6	E
SBI-7	B
SBI-8	B
SBI-9	B
SBI-10	B
SBI-11	B
SBI-12	B
SBI-13	B
SBI-14	B
SBI-15	B
SBI-16	G
SBI-17	B
SBI-18	B
SBI-19	B
SBI-20	B
SBI-21	B

ELEMENT REFERENCE	REPAIR DETAIL REF.
SB2-1	B
SB2-2	B
SB2-3	B
SB2-4	B
SB2-5	B
SB2-6	E
SB2-7	B
SB2-8	B
SB2-9	B
SB2-10	B
SB2-11	B
SB2-12	B
SB2-13	B
SB2-14	B
SB2-15	B
SB2-16	G
SB2-17	B
SB2-18	B
SB2-19	B
SB2-20	B
SB2-21	B

ELEMENT REFERENCE	REPAIR DETAIL REF.
SBI-1	A
SBI-2	A
SBI-3	A
SBI-4	A
SBI-5	A
SBI-6	E
SBI-7	A
SBI-8	A
SBI-9	A
SBI-10	A
SBI-11	A
SBI-12	A
SBI-13	A
SBI-14	B
SBI-15	B
SBI-16	F
SBI-17	F
SBI-18	A
SBI-19	A
SBI-20	A
SBI-21	A

REPAIR DETAILS	
A	CLEAN & COAT
B	CLEAN - REPAIR & COAT
C	CLEAN - COAT & NEW BOX BEAM REPAIR TO DRAWING 3788/ 201
D	CLEAN - COAT & NEW 120x20 6m LONG PLATES
E	CLEAN - REPAIR & COAT
F	CLEAN - COAT & NEW ANGLE TO SUPPORT BEAMS
G	CLEAN - REPAIR & COAT

*MINIMUM DIMENSIONS OF THE BEAMS				
	D(mm)	B(mm)	tw(mm)	tf(mm)
PRIMARY BEAMS	435	152	6.4	17.9
SECONDARY BEAMS - SB1	152	71	7.3	9.1
SECONDARY BEAMS SB2	152	71	7.3	9.1
SECONDARY BEAMS SB3	184	75	4	5.9



Notes

- ALL DIMENSIONS ARE IN MILLIMETRES AND LEVELS IN METRES.
- THIS DRAWING TO BE READ IN CONJUNCTION WITH RELEVANT ARCHITECT'S AND ENGINEER'S DRAWINGS AND SPECIFICATIONS.
- THIS DRAWING HAS BEEN PRODUCED ELECTRONICALLY AND MAY HAVE BEEN PHOTO REDUCED OR ENLARGED WHEN COPIED. HENCE, DO NOT RELY ON ANY SCALES QUOTED. WORK ONLY TO FIGURED DIMENSIONS (DO NOT SCALE). ALL DIMENSIONS TO BE CHECKED ON SITE. ANY ERRORS OR OMISSIONS TO BE REPORTED TO THE ENGINEER IMMEDIATELY.
- ALL STEEL TO BE GRADE S355.
- ALL STEEL TO BE GALVANISED OR PAINTED EQUIVALENT TO EXPOSURE CLASS C3.
- BRICK ARCHES TO BE REPAIRED AND CLEANED AND REPOINTED.
- EXISTING DIMS. TO BE AFTER CLEANING AND PRIOR TO REMEDIATION DETAILS.
- ENSURE ALL EXISTING BEAMS ARE CLEANED PRIOR TO WELDING.
- WELDS TO BE TESTED AND CERTIFICATES PROVIDED.
- ALL BOLTS TO BE GRADE 8.8 IANO.

C.D.M.

SIGNIFICANT RISKS AND HAZARDS:

- ON SITE WELDING
- WELDING OVERHEAD
- LONG STEEL PLATES
- FALLING DEBRIS FROM UNDERSIDE OF ARCHES
- WELDING ADJACENT TO GAS PIPE
- CONFIRMATION OF EXISTING MEMBER SIZES

KEY DESIGN DECISIONS TO REDUCE OR ELIMINATE HAZARDS:

Rev.	Date	By	Details Of Revisions
C2	28.11.16	DAW	SECTIONS 12,12 & U2 REMOVED. NOTES REVISED.
C1	18.11.16	GR	ISSUED FOR CONSTRUCTION

Client: STANLEY SIDINGS LTD

Project: STABLES MARKET

Title: REMEDIAL WORKS FOR CANTILEVER WALKWAY PLAN SECTIONS & DETAILS

Structural and Civil Engineers  
**WALSH**  
 32 Ladbroke Street  
 London  
 W1T 2LH  
 t: +44(0)20 7589 6800  
 e: london@walsh.co.uk  
 walsh.co.uk

Status: **CONSTRUCTION**

Drawn	GR	As Scale	AS NOTED	App'd	PM
Date	NOV. 16	Eng.	MPC	CHA.	
File Ref.					

Drawing No: **3788/ 203** C2