

Notes

***MINIMUM DIMENSIONS OF THE BEAMS**

	D(mm)	B(mm)	tw(mm)	tf(mm)
PRIMARY BEAMS	435	152	6.4	17.9
SECONDARY BEAMS - SB1	152	71	7.3	9.1
SECONDARY BEAMS SB2	152	71	7.3	9.1
SECONDARY BEAMS SB3	184	75	4	5.9

* NOTE: EXISTING DIMENSIONS TO BE CONFIRMED AFTER CLEANING AND PRIOR TO REMEDIATION DETAILS. IF EXISTING SIZES ARE SMALLER THE REMEDIAL DETAIL WILL REQUIRE UPDATING.

1. ALL DIMENSIONS ARE IN MILLIMETRES AND LEVELS IN METRES.
2. THIS DRAWING TO BE READ IN CONJUNCTION WITH RELEVANT ARCHITECT'S AND ENGINEER'S DRAWINGS AND SPECIFICATIONS.
3. THIS DRAWING HAS BEEN PRODUCED ELECTRONICALLY AND MAY HAVE BEEN PHOTO REDUCED OR ENLARGED WHEN COPIED. HENCE, DO NOT RELY ON ANY SCALES QUOTED. WORK ONLY TO FIGURED DIMENSIONS (DO NOT SCALE). ALL DIMENSIONS TO BE CHECKED ON SITE. ANY ERRORS OR OMISSIONS TO BE REPORTED TO THE ENGINEER IMMEDIATELY.
4. ALL STEEL TO BE GRADE S355.
5. ALL STEEL TO BE GALVANISED OR PAINTED EQUIVALENT TO EXPOSURE CLASS C3.
6. BRICK ARCHES TO BE REPAIRED AND CLEANED AND REPOINTED.
7. EXISTING DIMS. TBC AFTER CLEANING AND PRIOR TO REMEDIATION DETAILS.
8. ENSURE ALL EXISTING BEAMS ARE CLEANED PRIOR TO WELDING.
9. WELDS TO BE TESTED AND CERTIFICATES PROVIDED.

C.D.M.

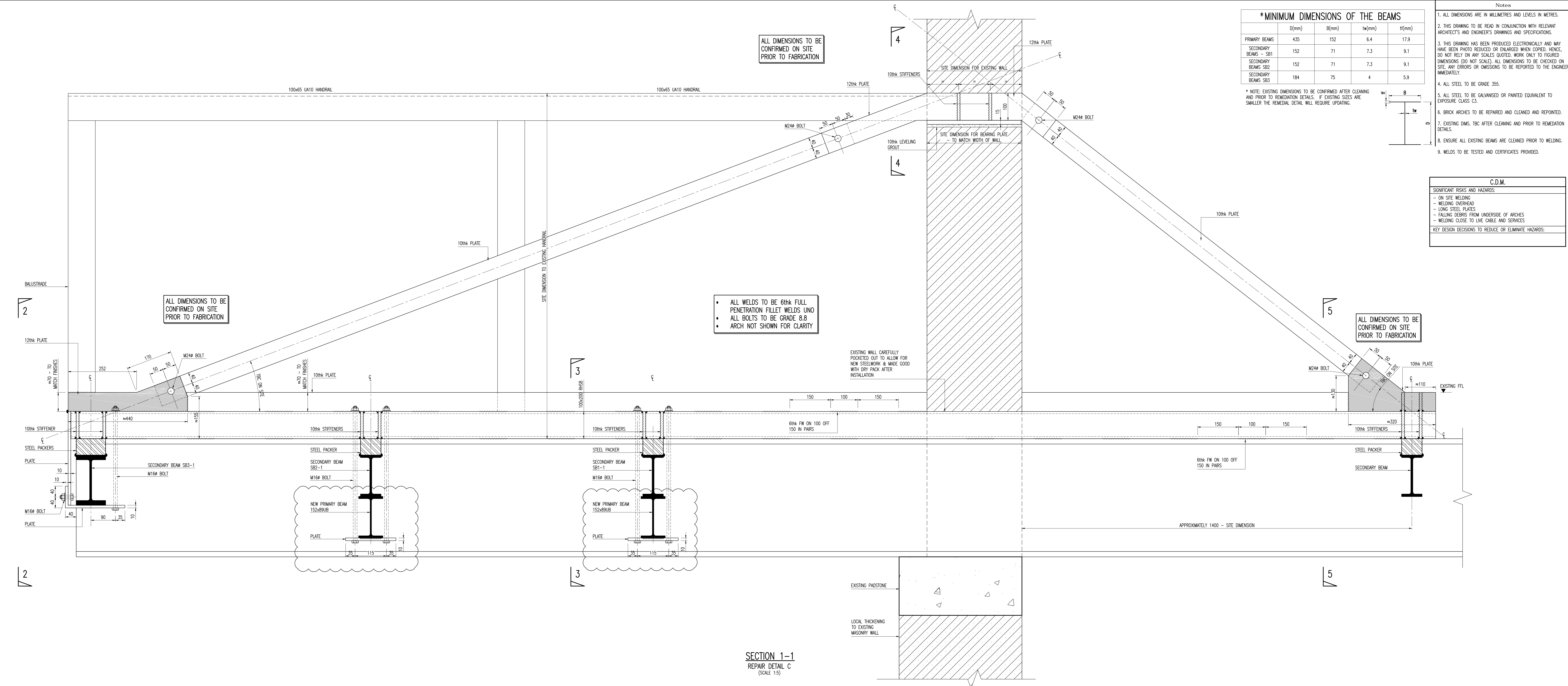
- SIGNIFICANT RISKS AND HAZARDS:
- ON SITE WELDING
 - WELDING OVERHEAD
 - LONG STEEL PLATES
 - FALLING BEAMS FROM UNDERSIDE OF ARCHES
 - WELDING CLOSE TO LIVE CABLE AND SERVICES
- KEY DESIGN DECISIONS TO REDUCE OR ELIMINATE HAZARDS:

ALL DIMENSIONS TO BE CONFIRMED ON SITE PRIOR TO FABRICATION

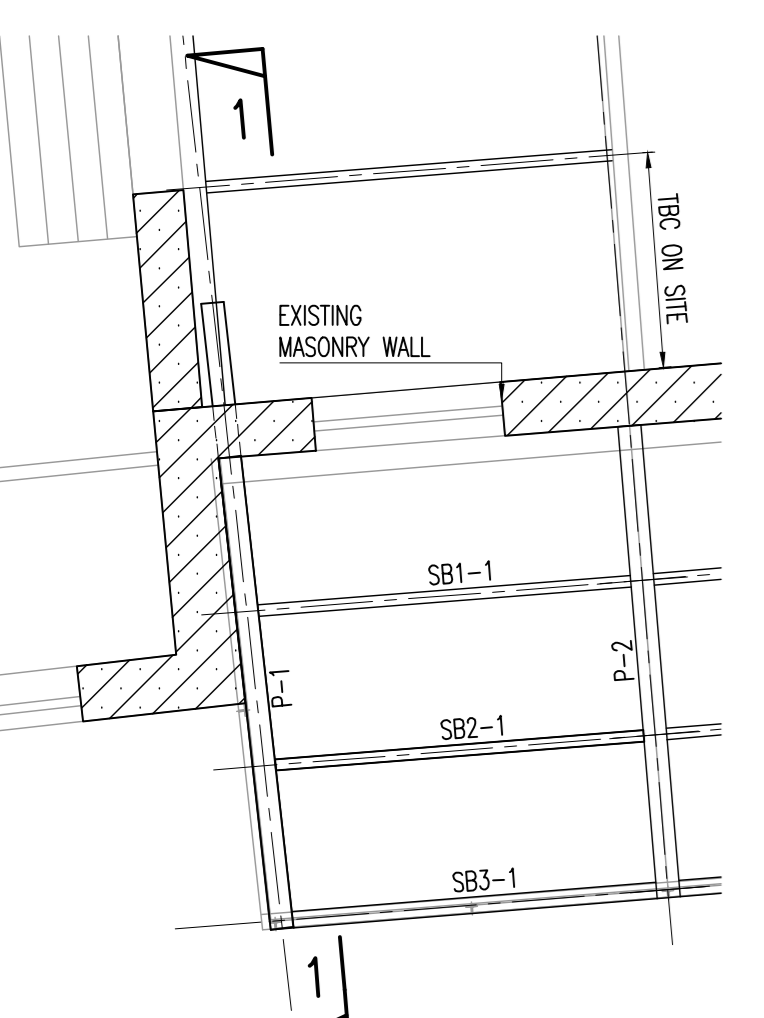
ALL DIMENSIONS TO BE CONFIRMED ON SITE PRIOR TO FABRICATION

- ALL WELDS TO BE 6th FULL PENETRATION FILLET WELDS UNO
- ALL BOLTS TO BE GRADE 8.8
- ARCH NOT SHOWN FOR CLARITY

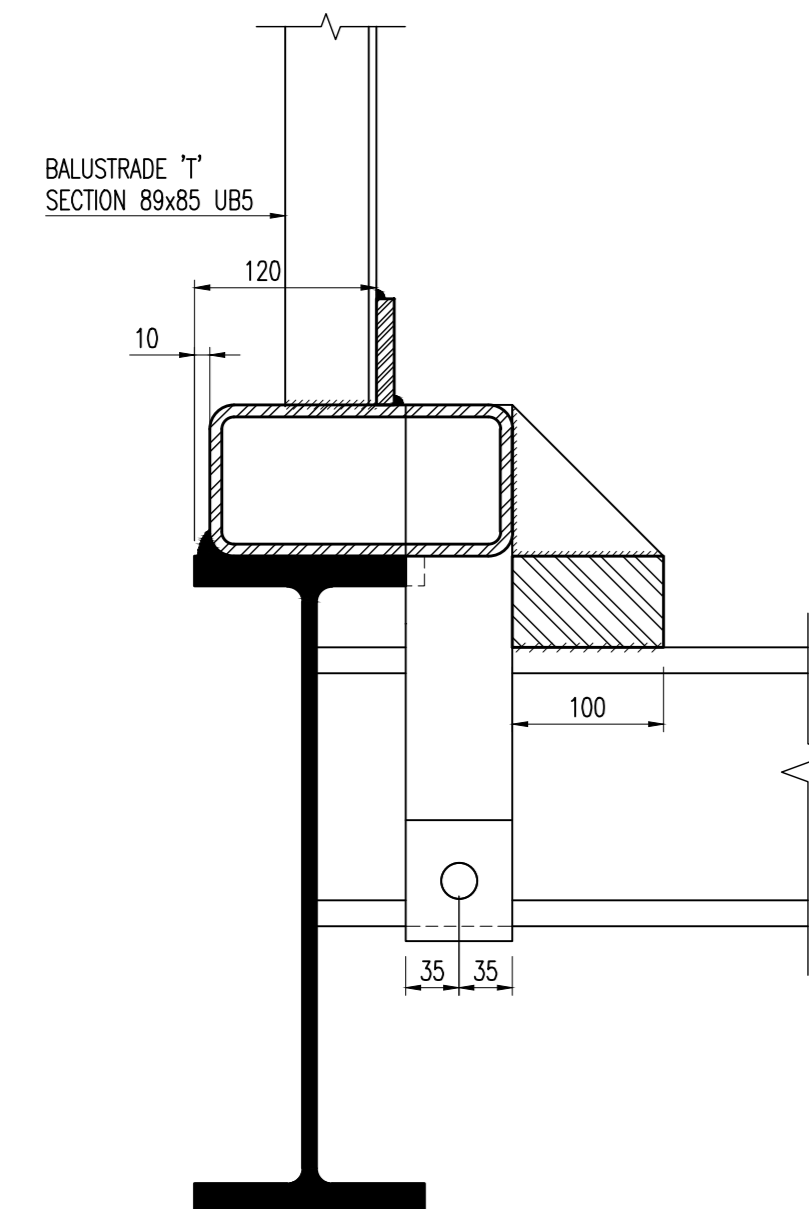
ALL DIMENSIONS TO BE CONFIRMED ON SITE PRIOR TO FABRICATION



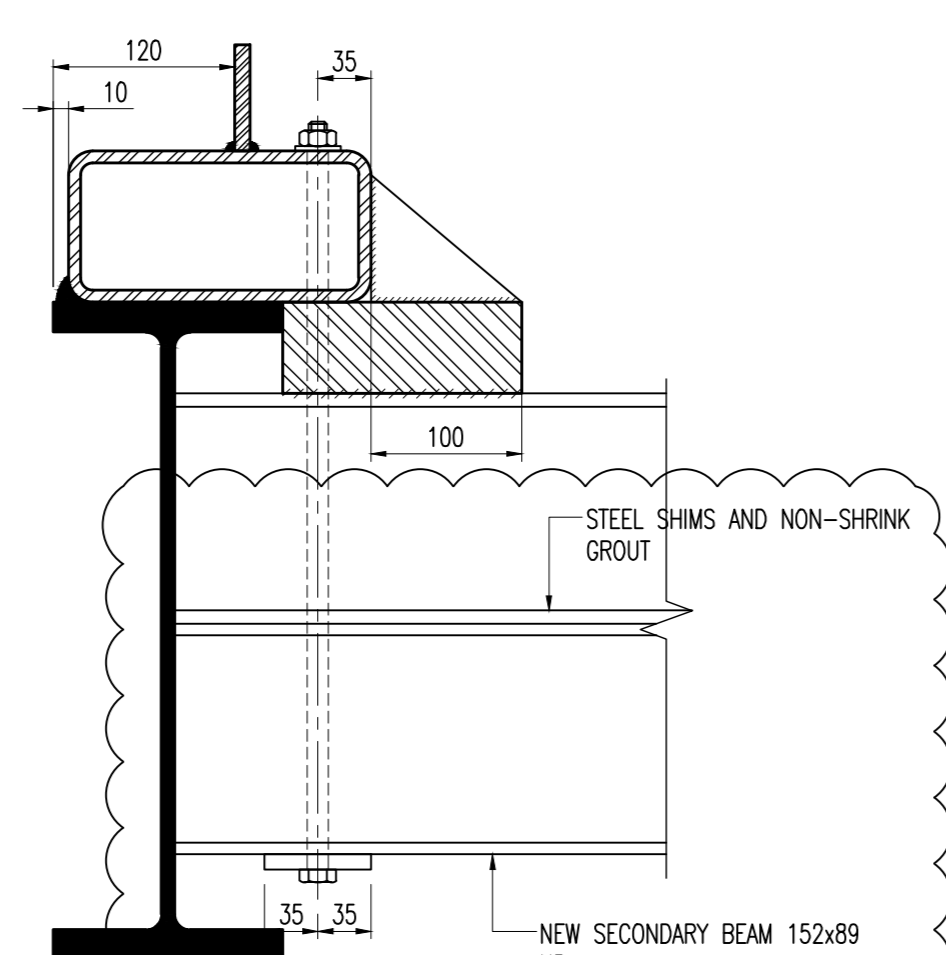
SECTION 1-1
REPAIR DETAIL C
(SCALE 1:5)



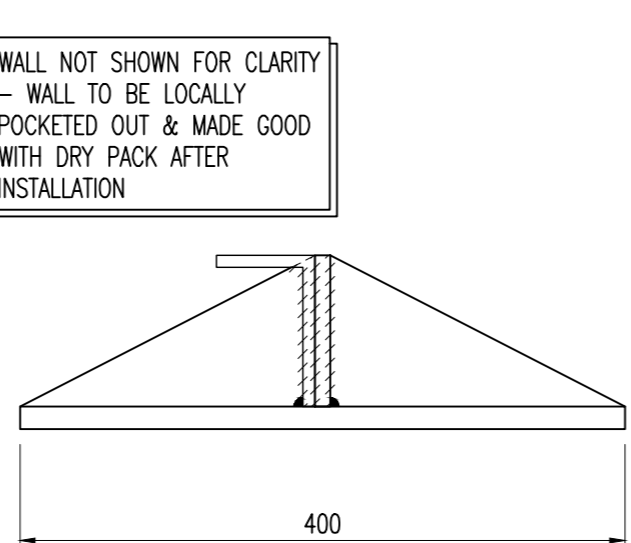
PART PLAN VIEW ON WALKWAY
SHOWING EXISTING BEAM P1
SHOWING ELEMENT REFERENCES
(SCALE 1:50)



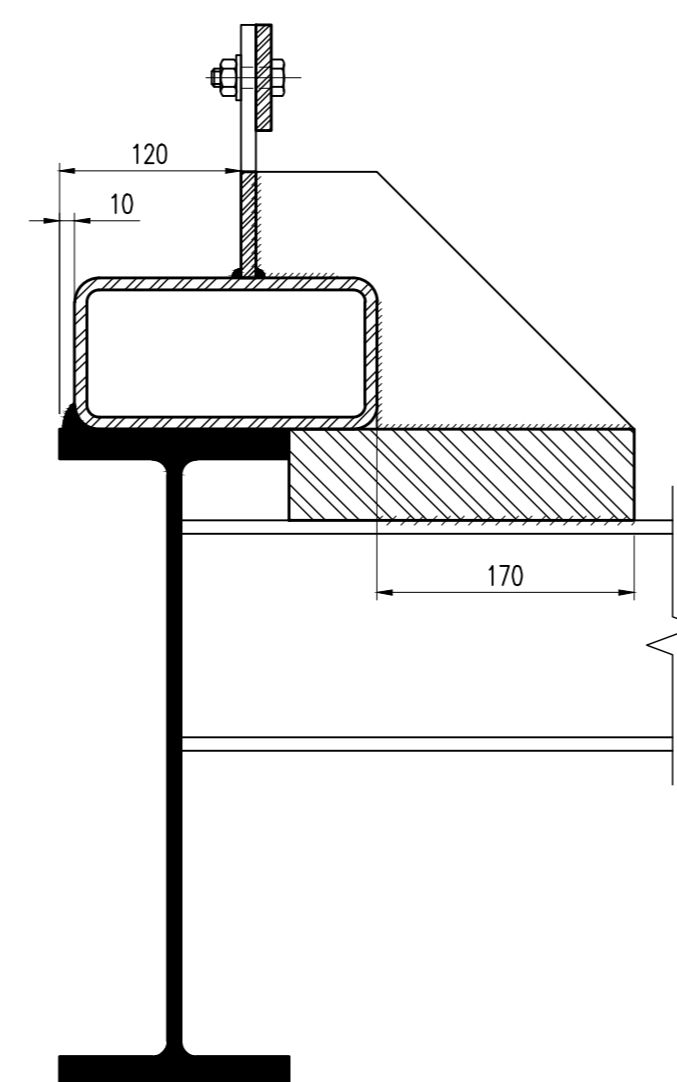
SECTION 2-2
(SCALE 1:5)



SECTION 3-3
(SCALE 1:5)



SECTION 4-4
(SCALE 1:5)



SECTION 5-5
(SCALE 1:5)

Rev.	Date	By	Details Of Revision
C3	01.12.16	KV	SECTIONS 1-1 & 3-3 AMENDED.
C2	11.10.16	SLS	RHS SECTION SIZE INCREASED; SETTING OUT (REVISED)
C1	05.10.16	SLS	FIRST ISSUE

Client: **STANLEY SIDINGS LTD**

Project: **STABLES MARKET**

Title: **REMEDIAL WORKS FOR CANTILEVER WALKWAY EXISTING BEAM P1 PLAN SECTIONS & DETAILS**

CONSTRUCTION

Drawn	SLS	AD Scales	AS NOTED	App'd	PM
Date	SEPT 16	Eng	MPC	CHK	PM

Drawing No: **3788/ 201** Rev: **C3**