

Do not scale from this drawing. Verify all dimensions on site. Drawing should be read in conjunction with information from all other design consultants and contractors. All drawings in digital format are for reference only, paper copies are available on request.

CONSTRUCTION

© Maccreanor Lavington Architects

NOTES:

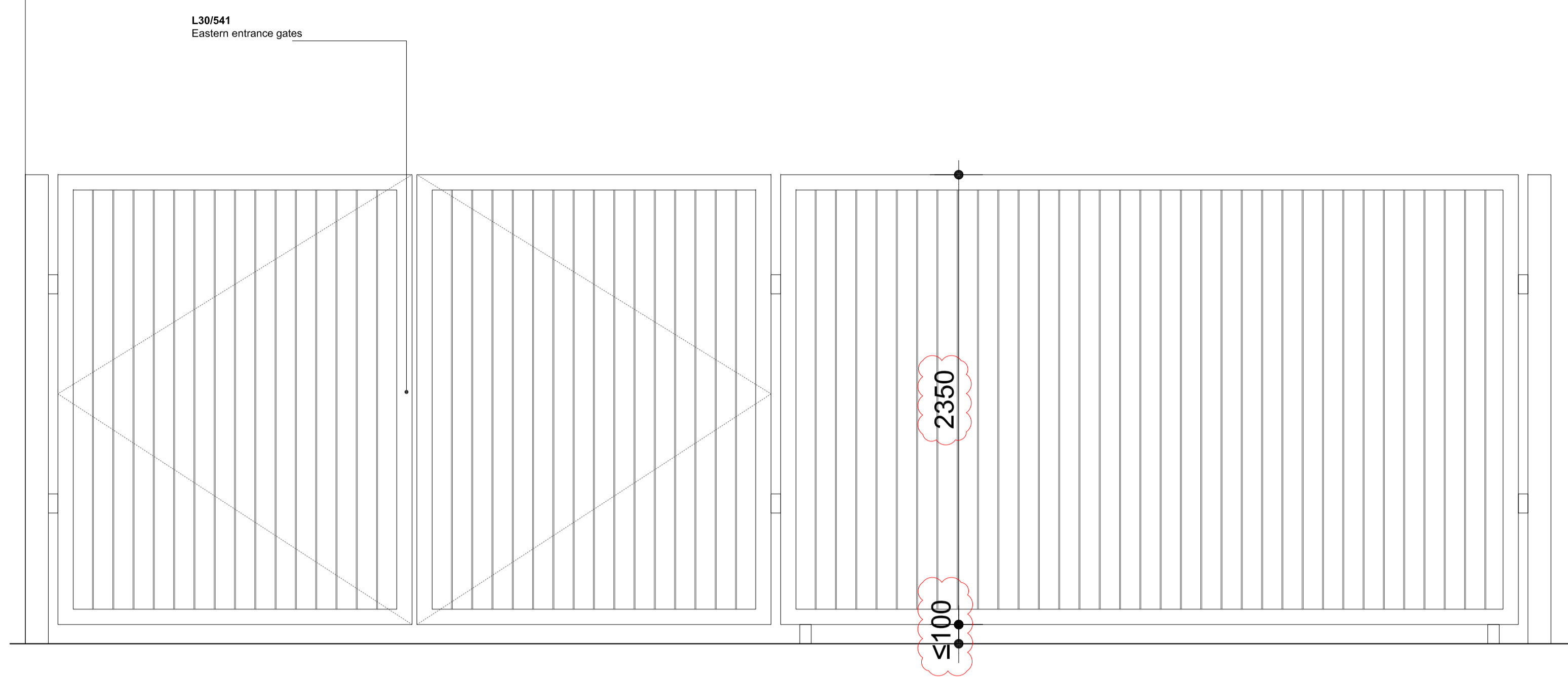
This drawing should be read in conjunction with the architects' complete drawings, schedules and specifications. For structural, building services, landscape, acoustic and fire rating requirements refer to specialists consultants' drawings, reports and specifications.

All elements of construction to be verified by the Contractor as their final design and coordination responsibility prior to construction, without prejudice to the Contractors' responsibility to consider whether other details require further technical development and coordination.

Further design development and/or coordination may be required pending site investigations or site coordination.



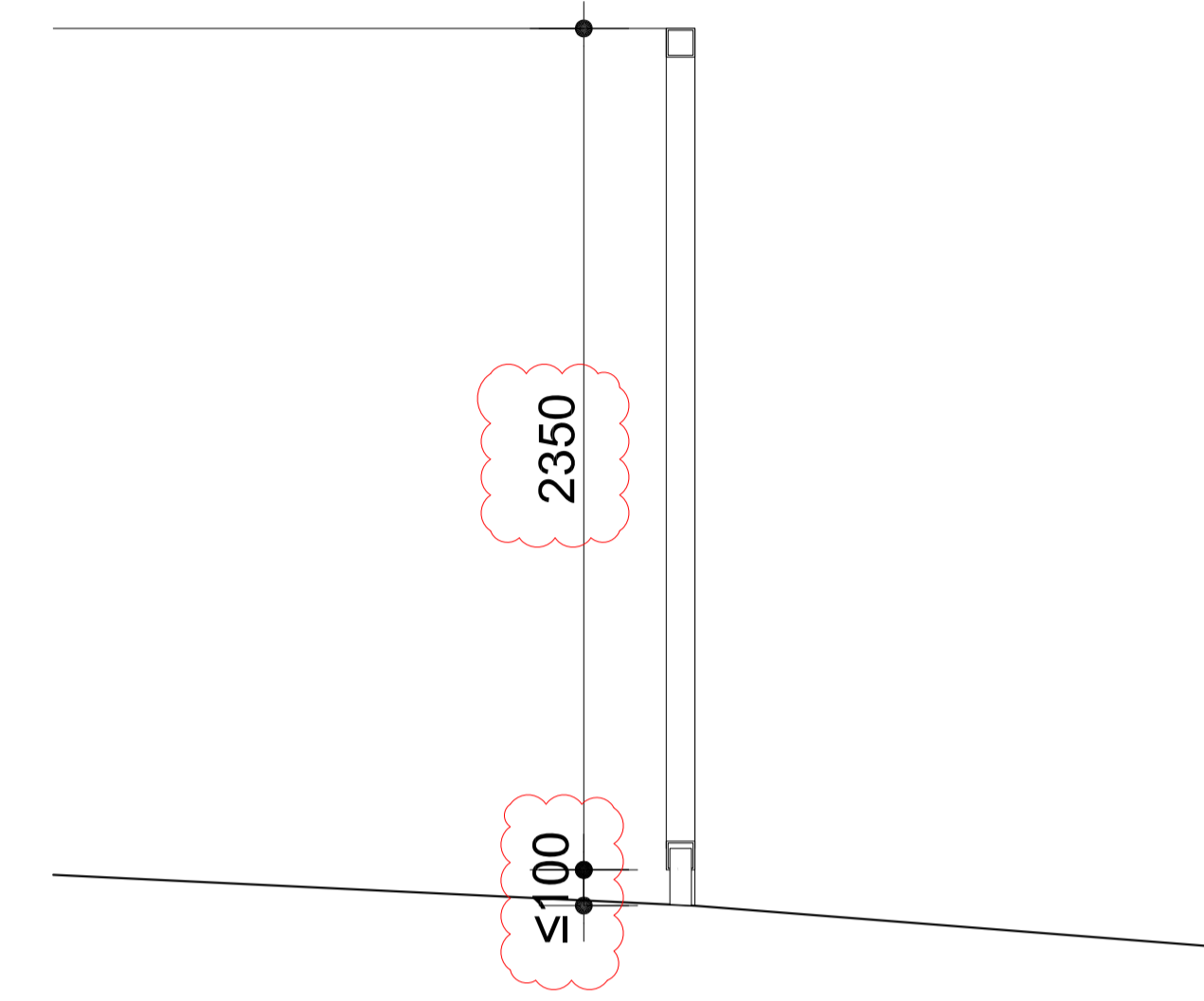
SECTION A



ELEVATION

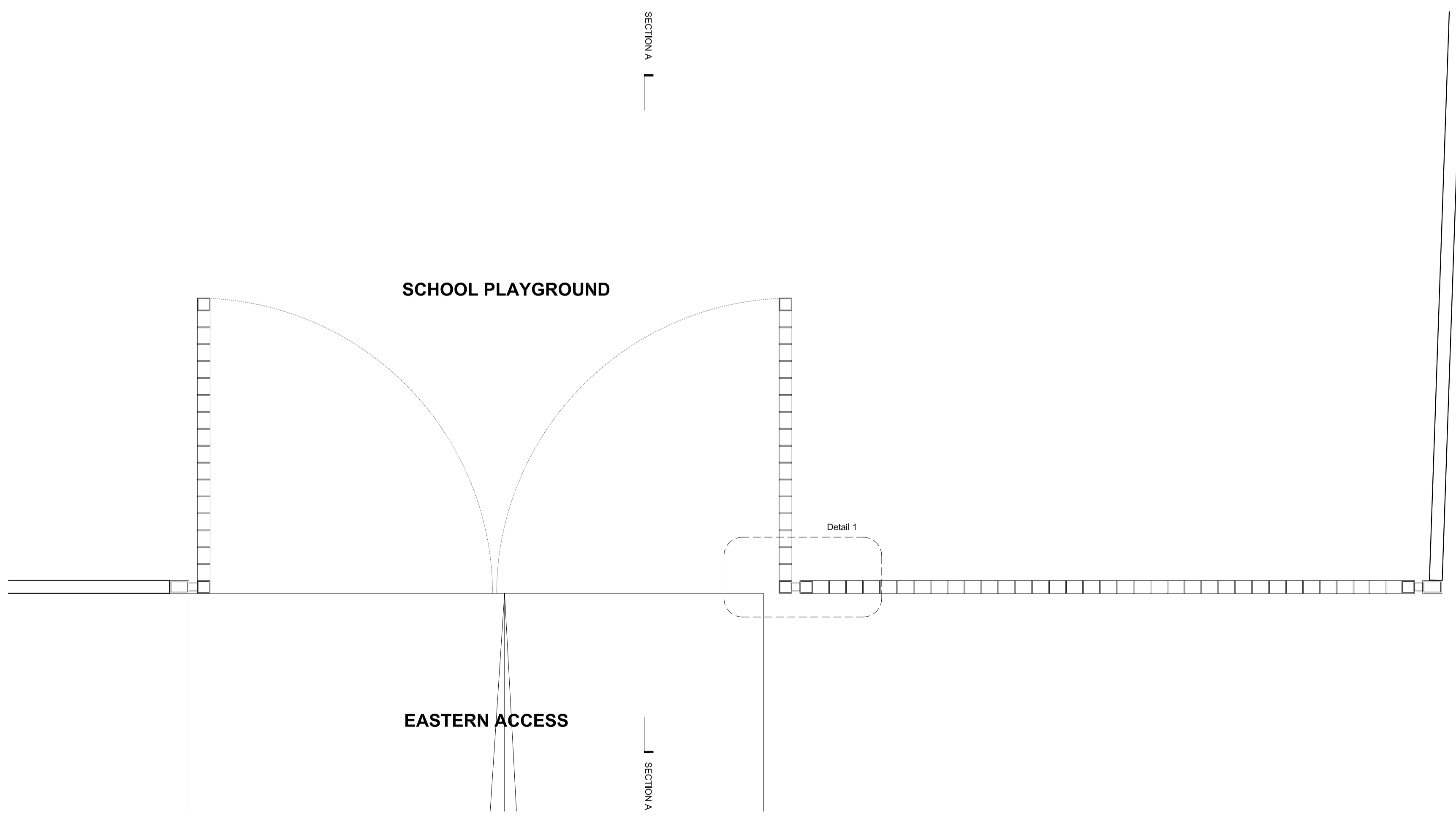
SECTION A

SECTION A



SECTION AA

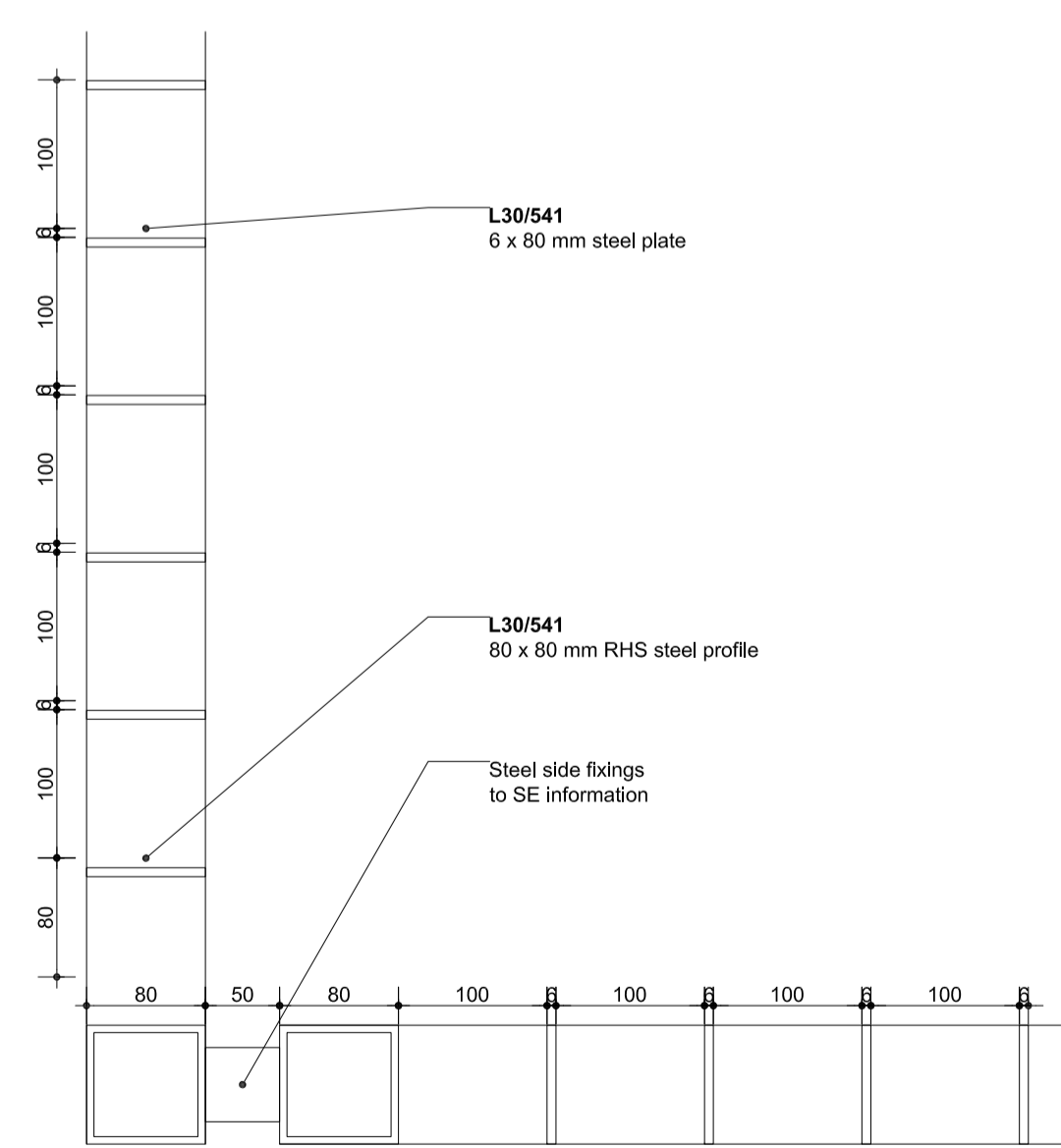
SCHOOL PLAYGROUND



EASTERN ACCESS

SECTION A

PLAN



Detail 1: PLAN

C1	Technical Coordination	LR	05-12-16
B	VE Redesign	HD	19-09-16
A	VE Redesign	CGP	31-08-16
T1	Tender Issue	HD	07-12-15
Rev	Details	Drwn	Date

403 Kingsgate School / Liddell Road

Client: London Borough of Camden
 Title: Eastern Entrance Gates
 Plan / Section / Elevation
 Scale: 1:20 @ A1 / 1:40 @ A3
 Date: 07-12-2015

Drawn: HD

MLUK / 403 / C / 906 / Rev C1

MaccreanorLavington
 3rd Floor
 19-21 Nile Street
 London N1 7LL
 t +44(0)207 336 73 53
 f +44(0)207 336 76 55
 e uk@ml-architects.com