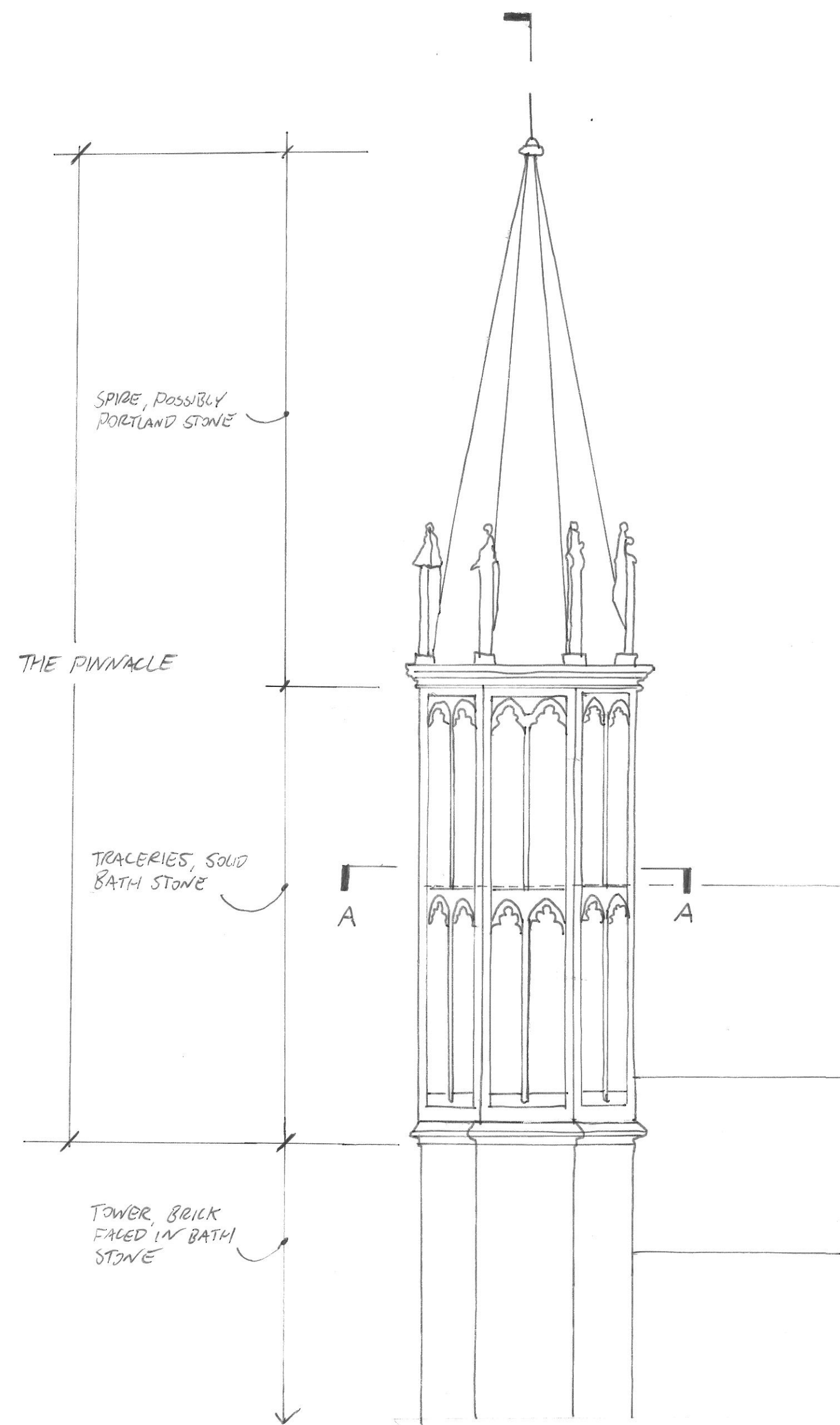
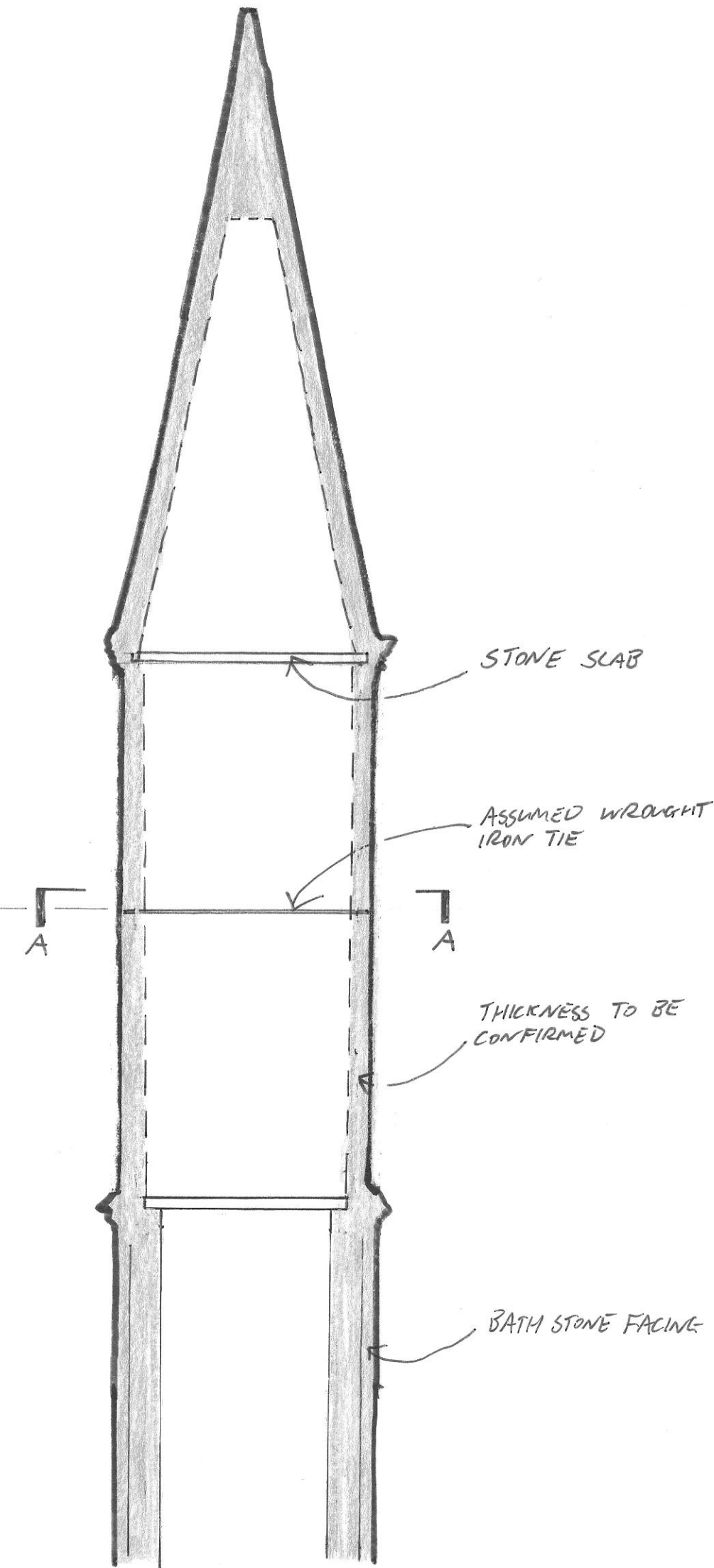


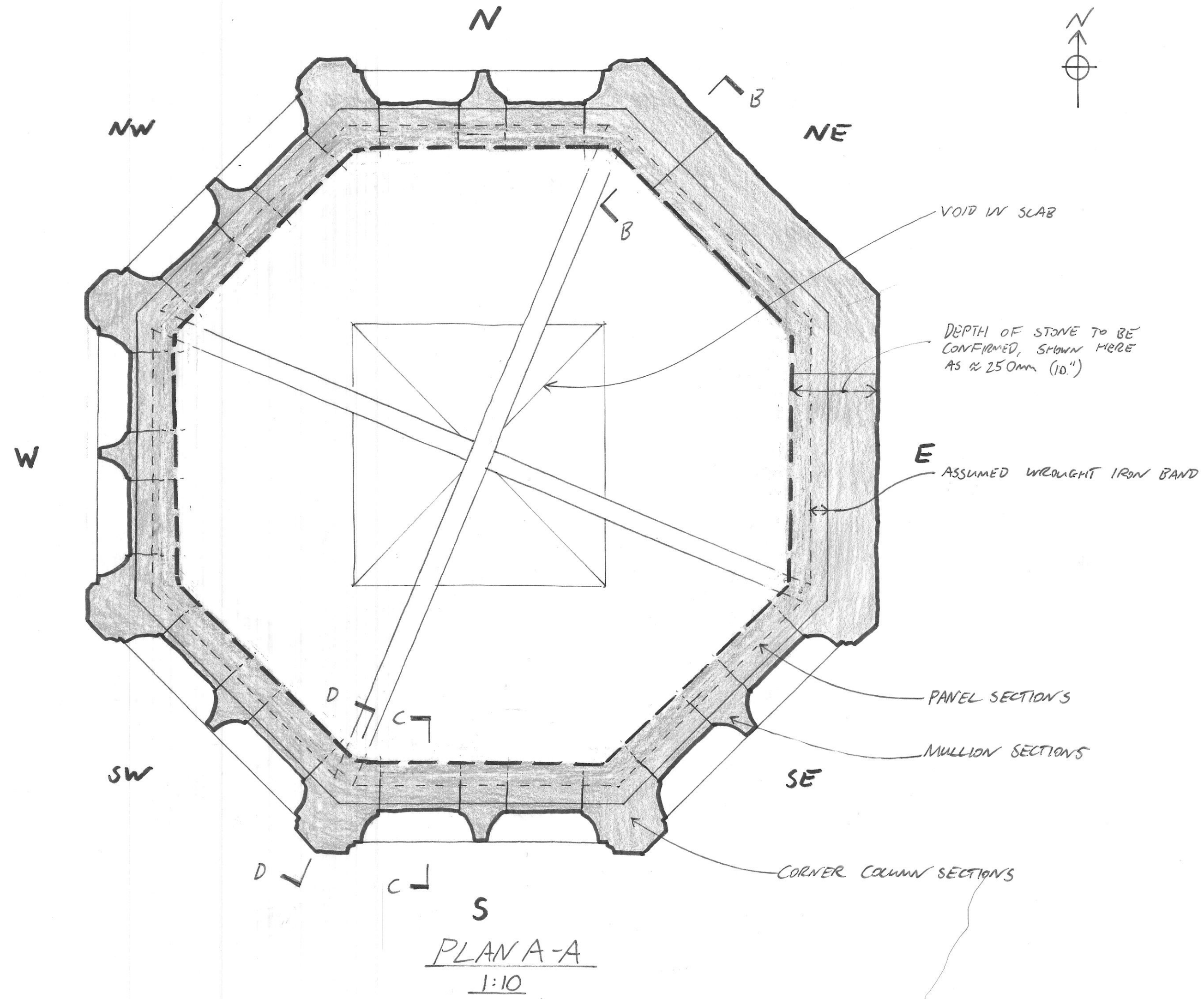
NOTES
 1. THIS DRAWING IS TO BE READ IN CONJUNCTION WITH ALL RELEVANT ARCHITECTS AND ENGINEERS DRAWINGS AND THE SPECIFICATIONS.
 2. THIS DRAWING IS BASED ON SITE OBSERVATIONS MADE 04/10/16.



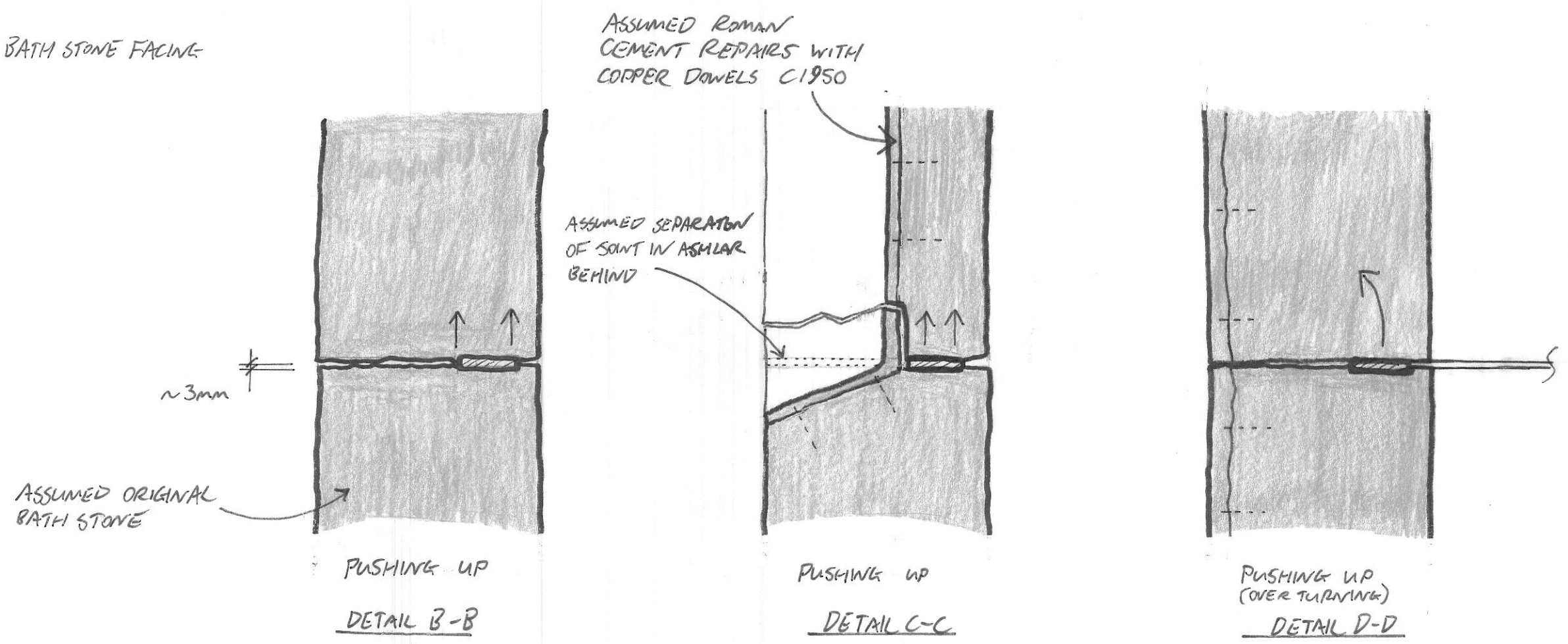
SOUTH TOWER SOUTH ELEVATION
 1:50



SECTION
 1:50



PLAN A-A
 1:10



A	4/11/16	ISSUED AS PART OF REPORT	FGO
	27.10.16	ISSUED FOR INFORMATION	FGO

job
**ST. KATHERINE'S,
 THE DANISH CHURCH**

title
**SOUTH PINNACLE:
 PLAN AND SECTION**

drawn
 FGO
 checked
 sbe
 date
 OCT '16
 scale (original - A1)
 AS SHOWN

Alan Baxter
 75 Cowcross Street London EC1M 6EL
 tel 020 7250 1555
 email aba@alanbaxter.co.uk
 www.alanbaxter.co.uk

dig. no.	rev.
1601/212/01	A