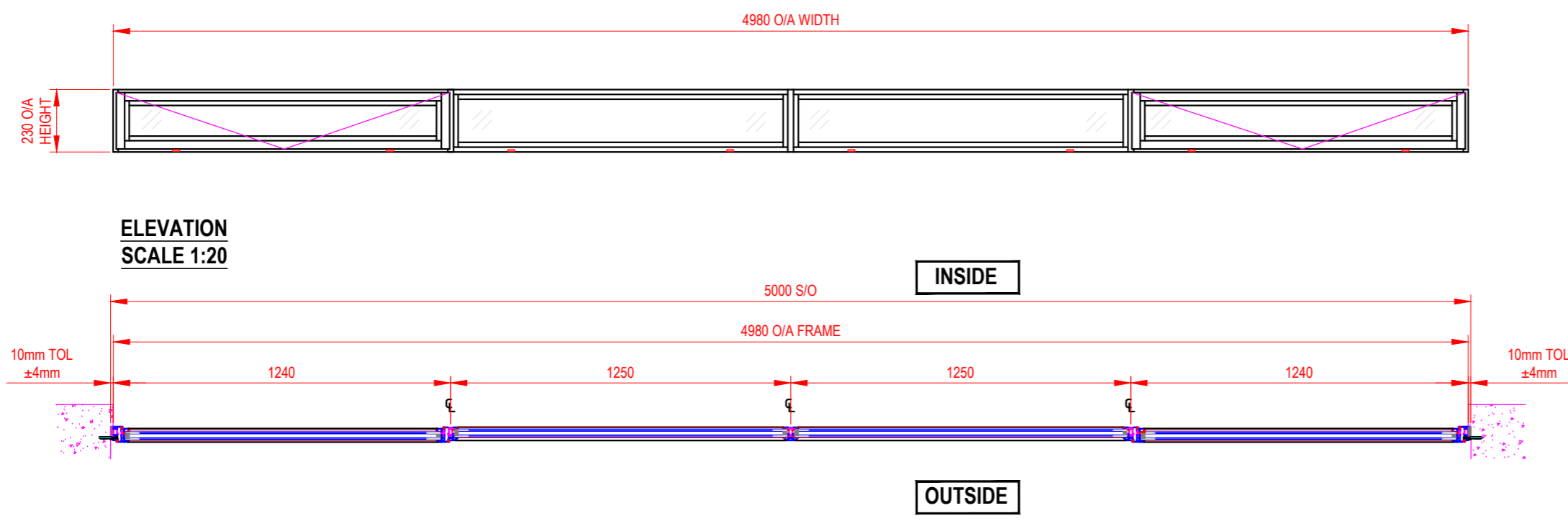
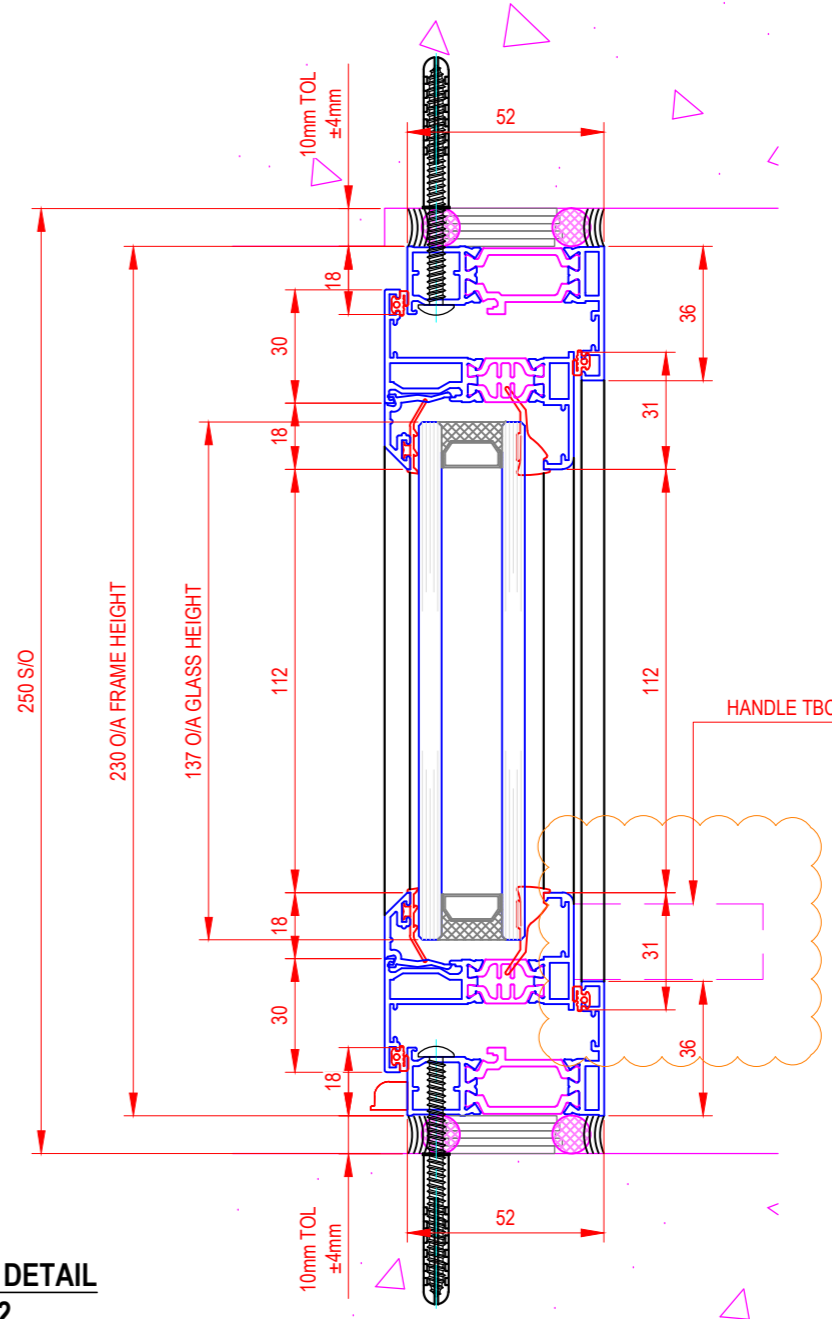


PLAN
SCALE 1:20

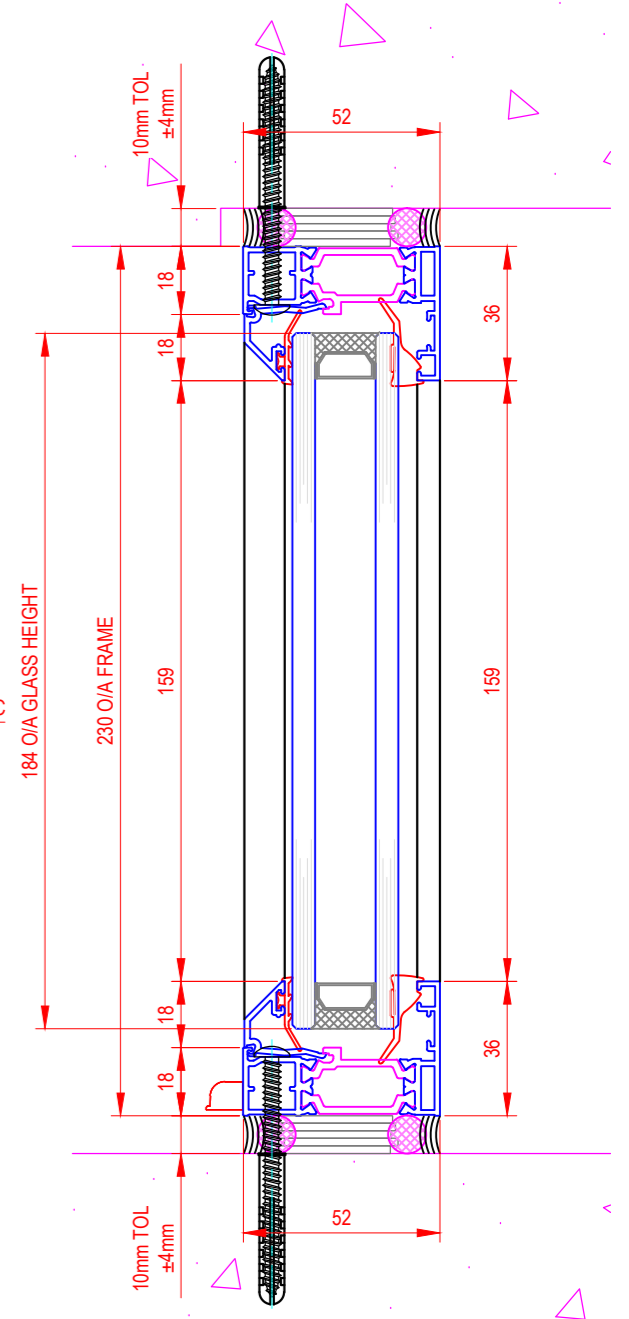


ELEVATION
SCALE 1:20

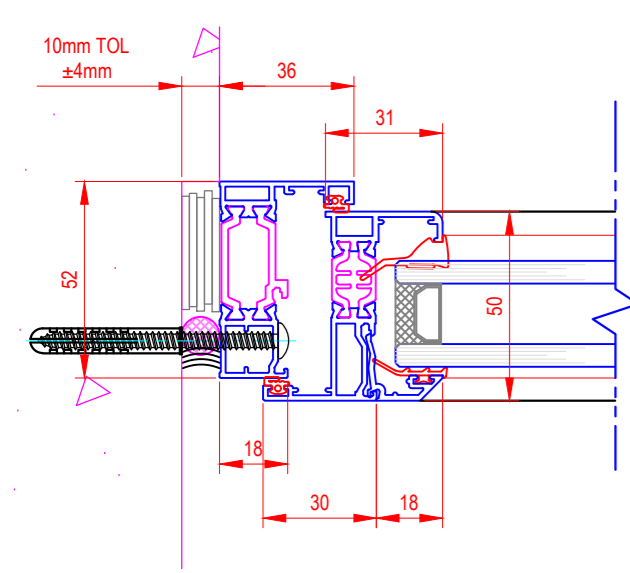
WINDOW HEAD & CILL DETAIL
SCALE 1:2



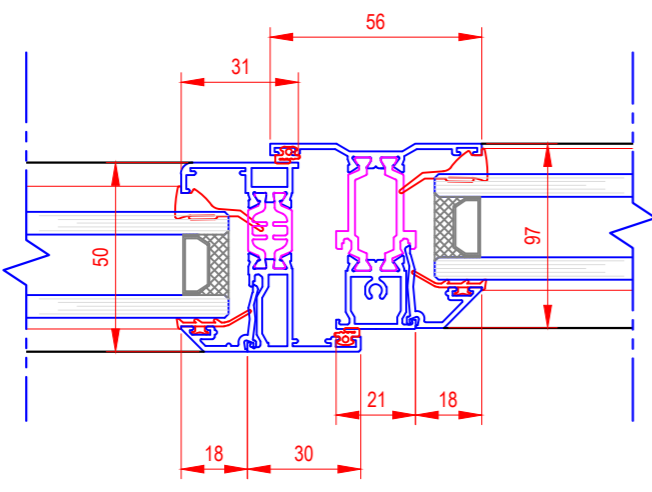
FIXED LIGHT HEAD & CILL DETAIL
SCALE 1:2



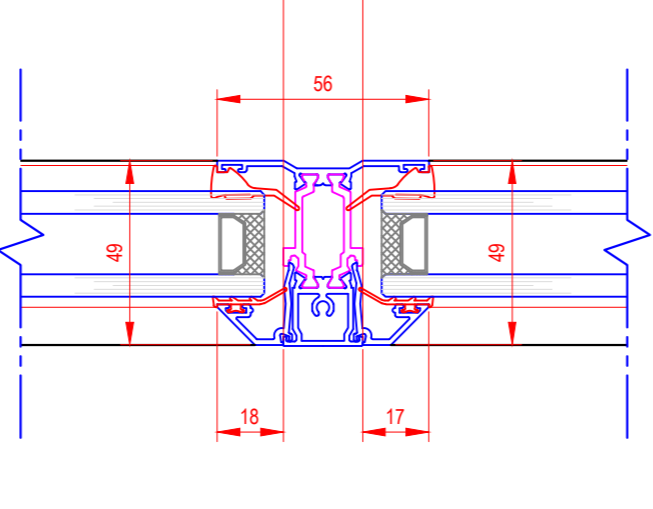
LH JAMB DETAIL
SCALE 1:2



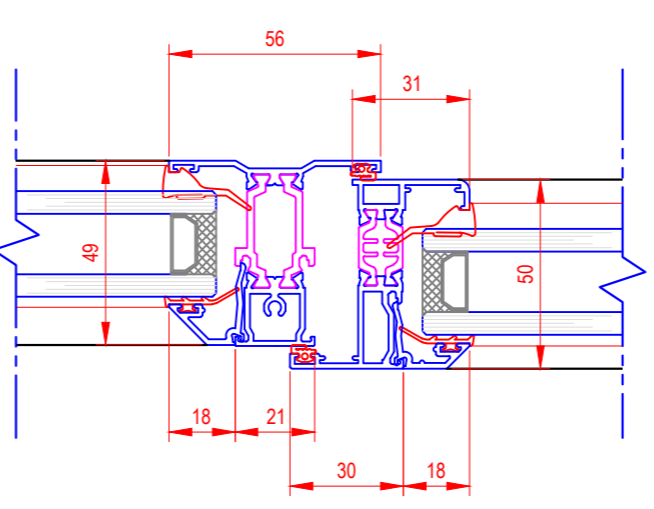
INTERMEDIATE WINDOW & FIXED LIGHT CONNECTION DETAIL
SCALE 1:2



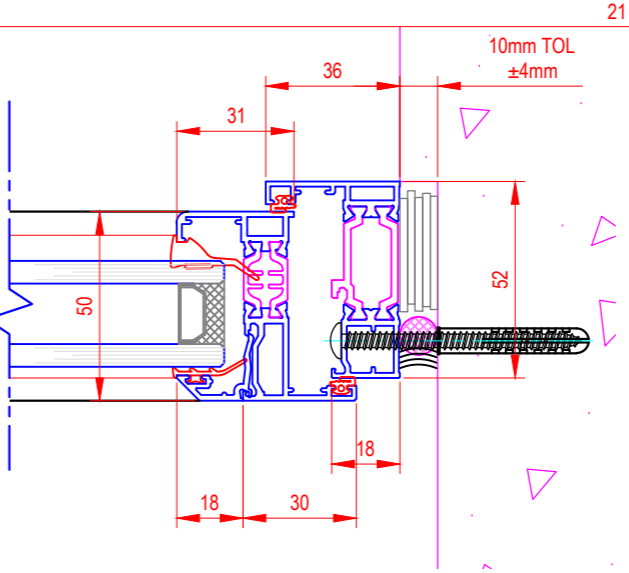
LH INTERMEDIATE FIXED LIGHT & FIXED LIGHT CONNECTION DETAIL
SCALE 1:2



INTERMEDIATE WINDOW & FIXED LIGHT CONNECTION DETAIL
SCALE 1:2



RH JAMB DETAIL
SCALE 1:2

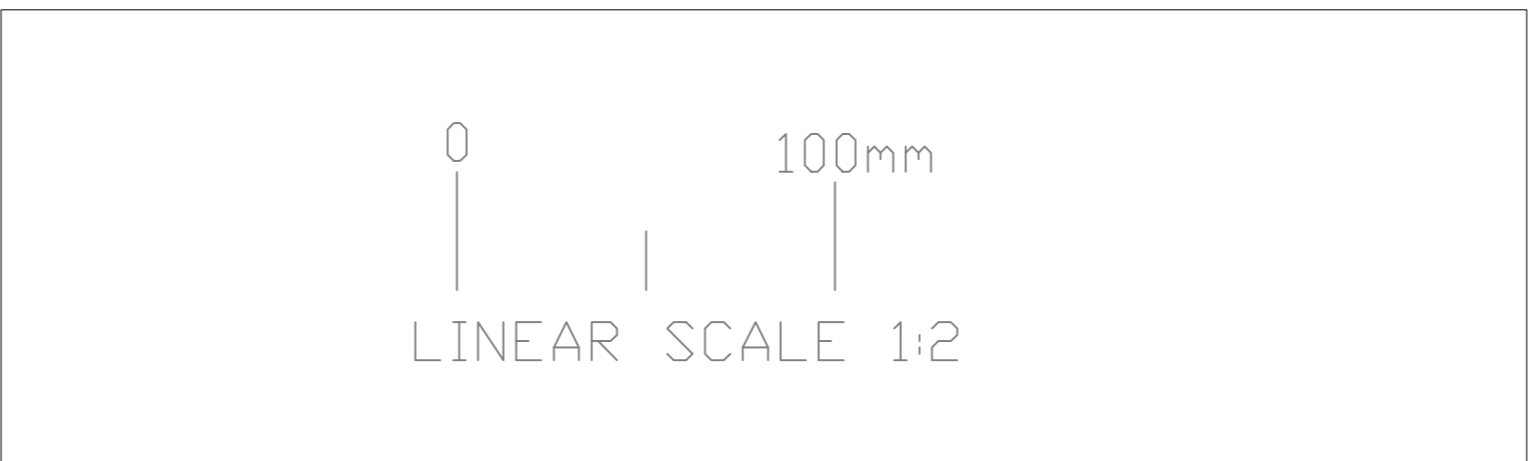
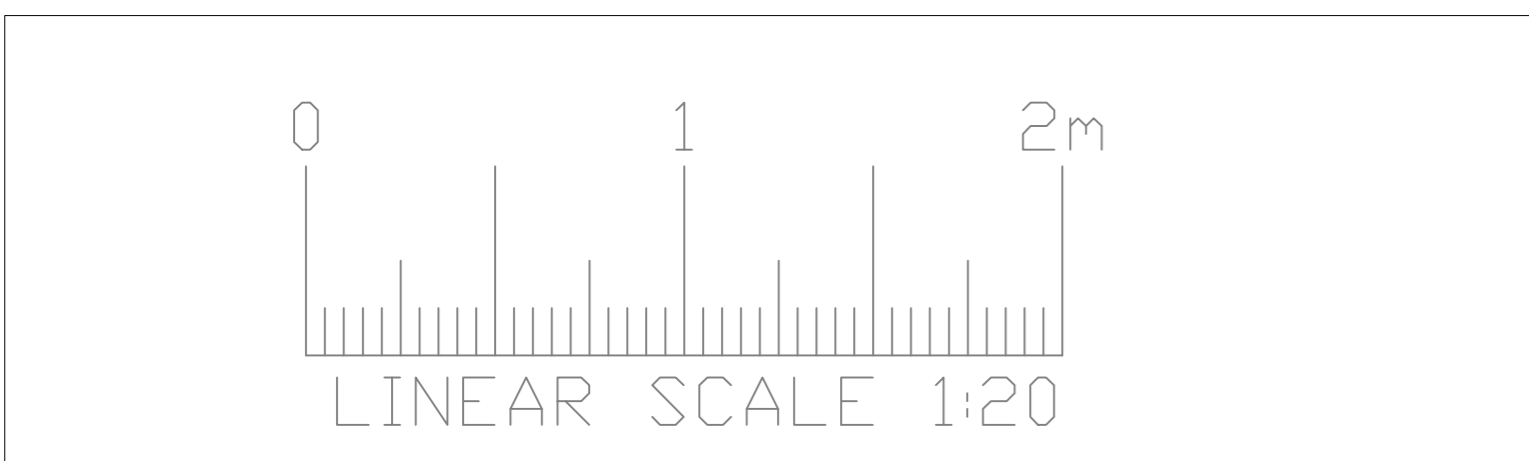


Type 8

SAMPLE

1 no. Total

Issued 24th November 2016 For
Planning Approval



| REV | DATE | REVISION | INT |
|-----|------|----------|-----|
| | | | |
| | | | |
| | | | |
| | | | |

STRUCTURA
SURFACIAL ENGINEERING

Structura UK Ltd
Unit 1, Oakcroft road,
Chessington, Surrey, KT9 1RH
T: 020 8397 4361
F: 020 8391 5805
E: Mail@structura.co.uk

Location
SCHOOL OF ORIENTAL AND AFRICAN STUDIES (SOAS)

Title
WINDOW TYPE 8 - SAPA WINDOW AS REPLACEMENTS
CROWN WINDOW SYSTEM

Client

Drwn MR **Date** 24.11.16 **Chkd** BMF **Scale** 1:2@A2

Drg No 20085-T-084 **Rev** /

Reason for Issue
PLANNING APPROVAL