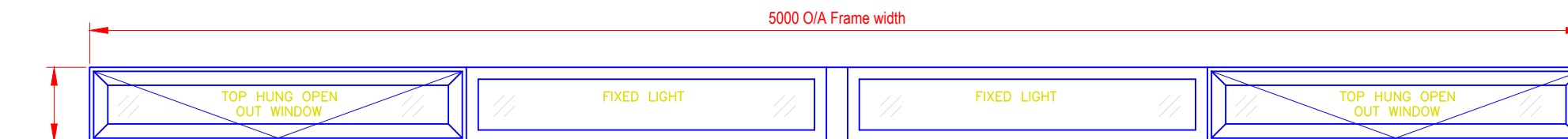
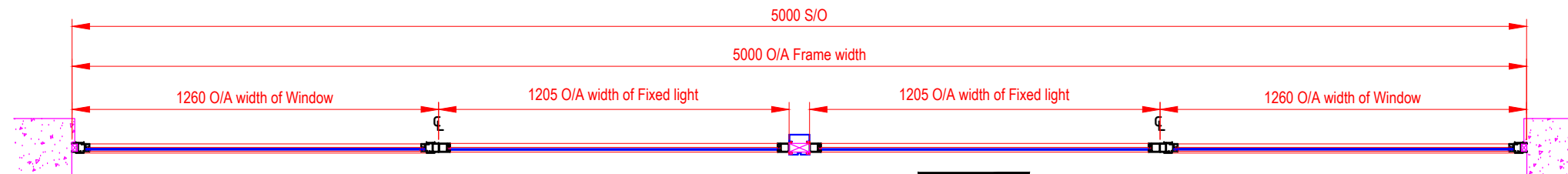


SECTION
SCALE 1:20



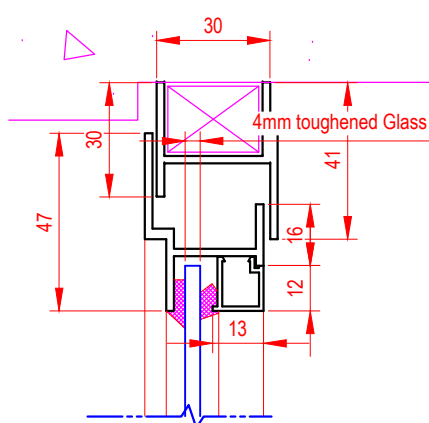
ELEVATION
SCALE 1:20

INSIDE

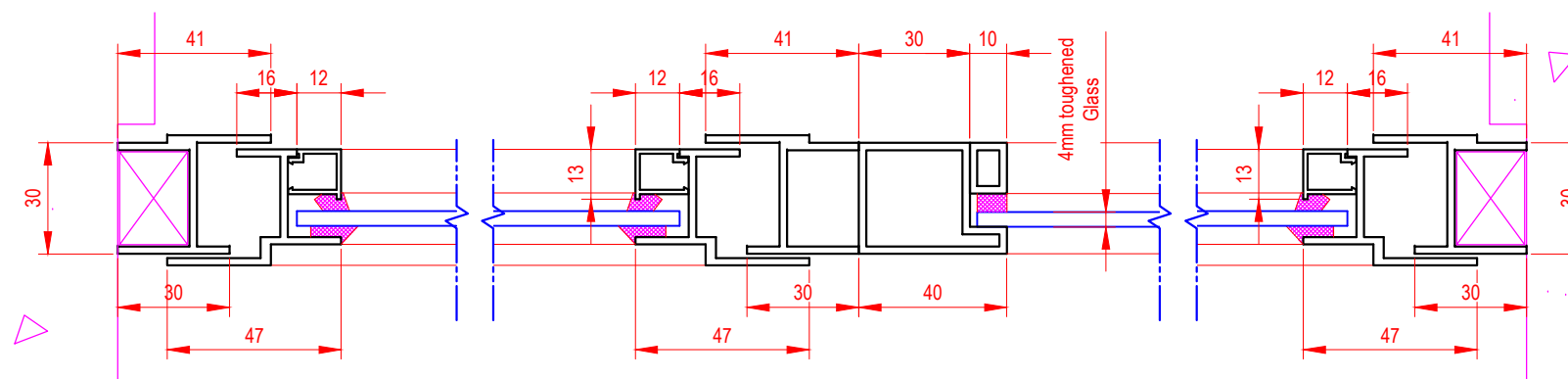


PLAN
SCALE 1:20

OUTSIDE



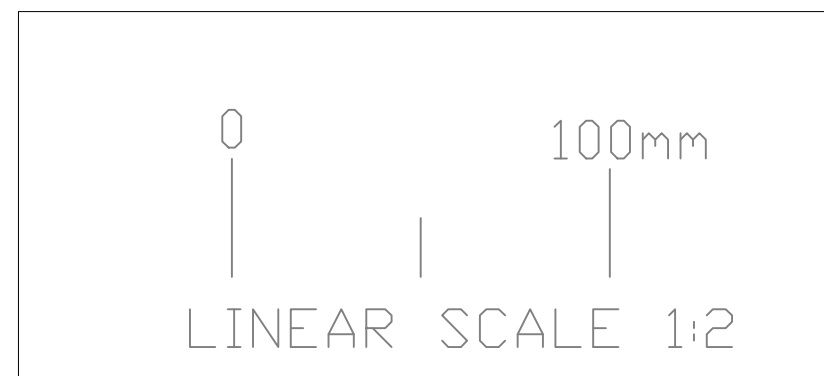
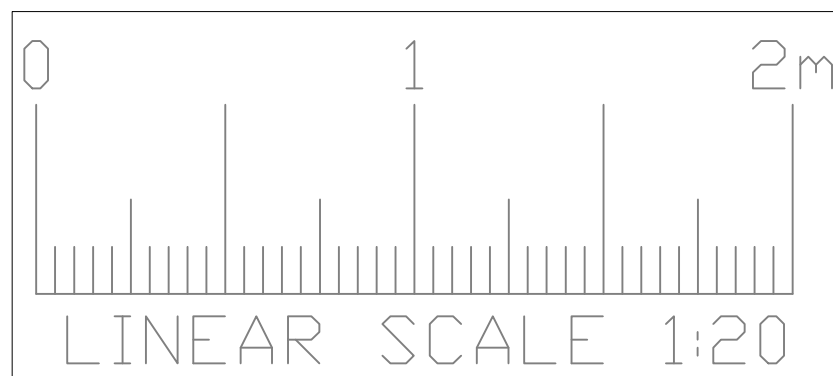
HEAD & CILL DETAIL
SCALE 1:2



LH JAMB DETAIL (LEFT)
SCALE 1:2

INTERMEDIATE CONNECTION DETAIL
SCALE 1:2

RH JAMB DETAIL
SCALE 1:2



Issued 24th November 2016 For
Planning Approval

REV	DATE	REVISION	INT
-	-	-	-
-	-	-	-
-	-	-	-
-	-	-	-

STRUCTURA
CURTAINWALL ENGINEERING

Structura UK Ltd
Unit 1, Oakcroft road,
Chessington, Surrey, KT9 1RH
Tel. 020 8397 4361
Fax. 020 8391 5805
E Mail @structura.co.uk

Location
SCHOOL OF ORIENDAL AND AFRICAN STUDIES (SOAS)

Title
WINDOW TYPE 8- EXISTING ORIGINAL WINDOWS AS SURVEY WITH LIMITED ACCESS

Client

Drwn MR Date 24.11.16 Chkd BMF Scale 1:20@A3

Drg No 20085-T-080 Rev /

Reason for Issue
PLANNING APPROVAL