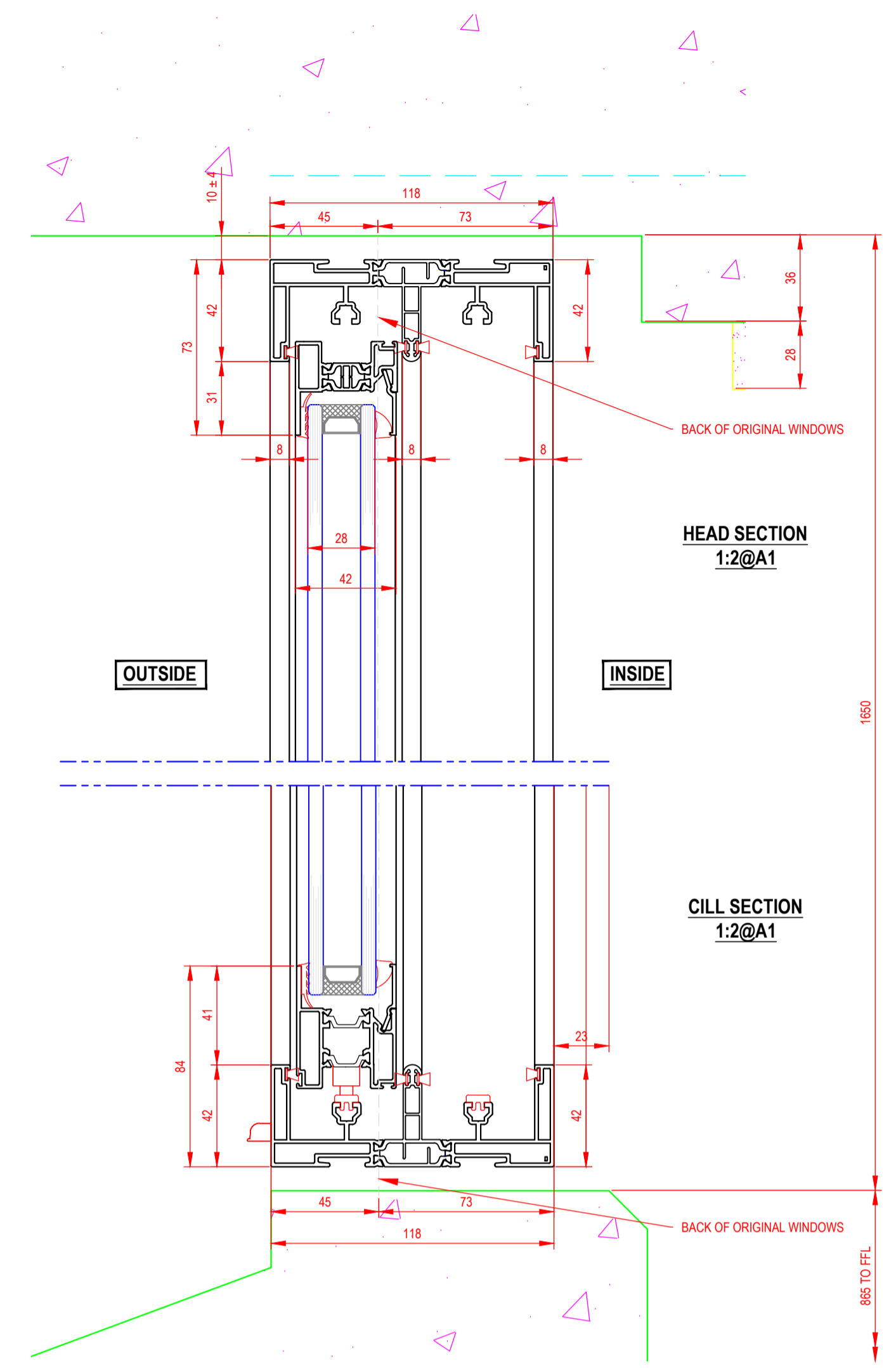
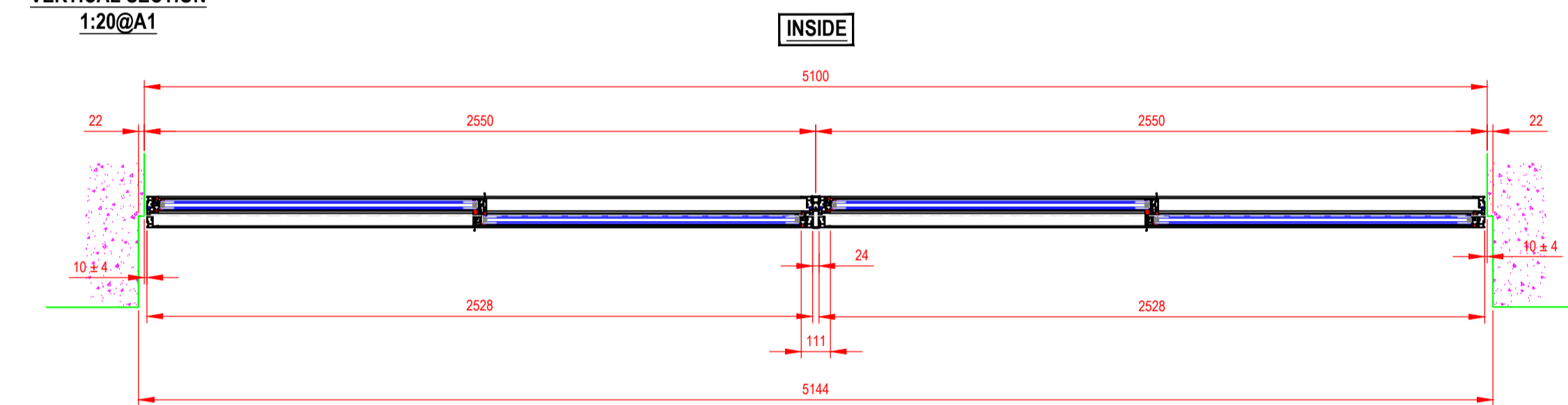
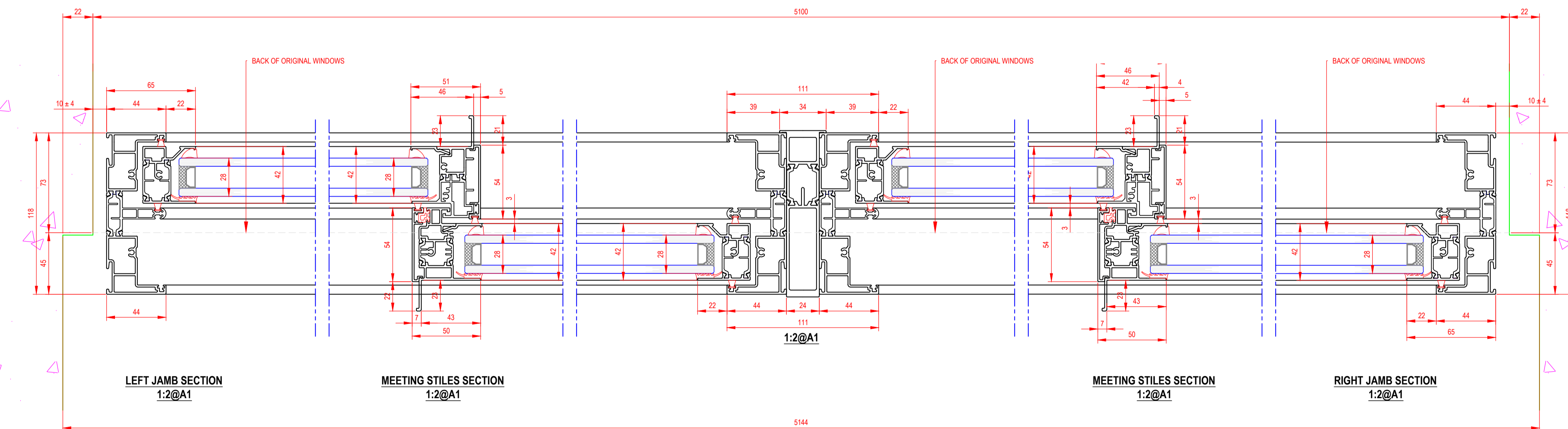


VERTICAL SECTION
1:20@A1



ALL SIZES ARE SUBJECT TO CONFIRMATION AT TIME OF SURVEY
OF ALL OF THE WINDOW OPENINGS

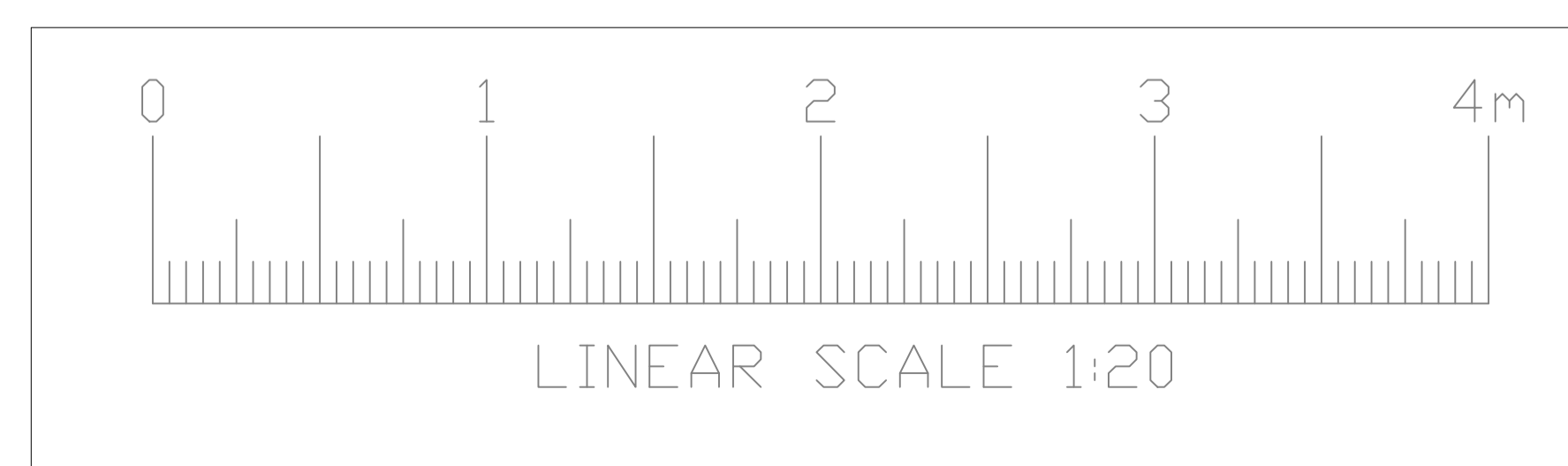


Type 12

SAMPLE

1 no. Total

Issued 16th November 2016 For
Planning Approval



SAPA DUAL SLIDE HORIZONTAL SLIDING WINDOW SYSTEM

18/11/16	Revised height to 1A & Renamed to type 12	NW
REV	DATE	REVISION
<p>STRUCTURA Structura UK Ltd Unit 1, Oakcroft Road Chesham, Bucks HP8 1RH Tel: 01494 619743 Fax: 01494 619744 E-Mail: info@structura.co.uk</p>		
Location: SCHOOL OF ORIENTAL AND AFRICAN STUDIES (SOAS)		
Title: WINDOW TYPE 12 - SAMPLE		
Client: SOAS		
Drwn: DJB	Date: 14.10.16	Scale: 1:20@A1
Chkd: BMF	Rev: 01	
Reason for Issue: PLANNING APPROVAL		