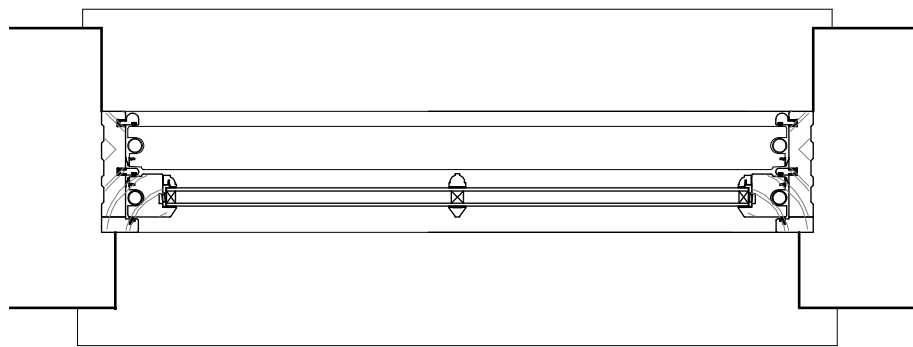
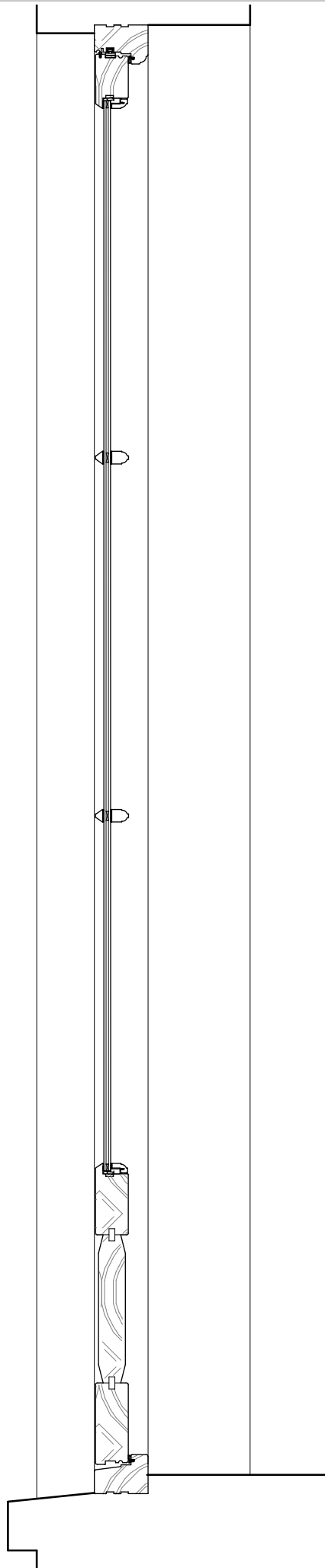


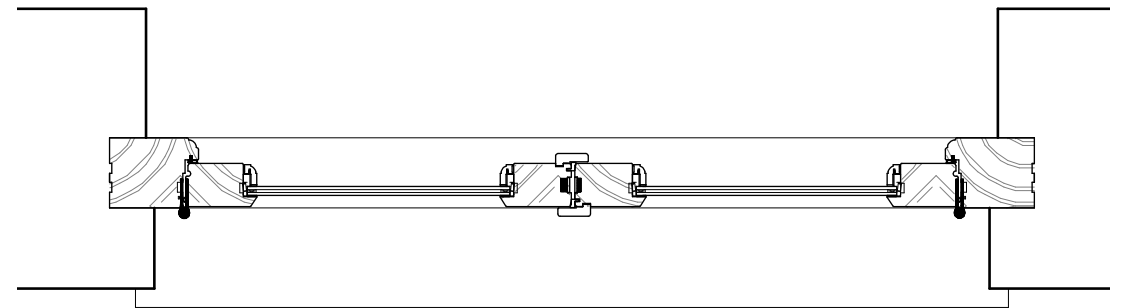
WINDOWS TO BE HARDWOOD CONSTRUCTION
TO RECEIVE PAINTED FINISH



1:10 SASH WINDOW DETAIL



DOORS TO BE HARDWOOD CONSTRUCTION
TO RECEIVE PAINTED FINISH



RAISED & FIELDED PANEL

1:10 FRENCH DOOR DETAIL IN FORMER WINDOW
OPENINGS AT GROUND & FIRST FLOOR