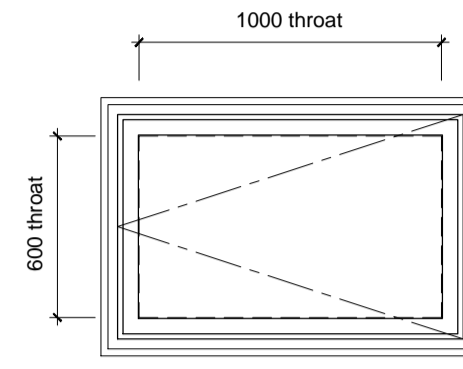


GENERAL NOTES

- A. Do not scale from this drawing. Check all dimensions and conditions on site. As Existing drawings are based on survey information supplied/produced by the client.
- B. All works to be carried out in accordance with current health and safety including CDM regulations. All works to comply with current British standards and regulations, codes of practice, Building regulations, and appropriate European standards.
- C. All structural work is to be carried out in accordance with the structural engineers details and calculations.
- D. Precise positions of all fixtures and fittings is subject to confirmation on site.
- E. Allow for the protection of all finishes and fittings that are to be retained.
- F. All drawings are to be read in conjunction with the scope of works and relevant specifications.
- G. All drainage shown is indicative - refer to M&E drawings for details.
- H. All works to be carried out strictly in accordance with relevant manufacturers instructions

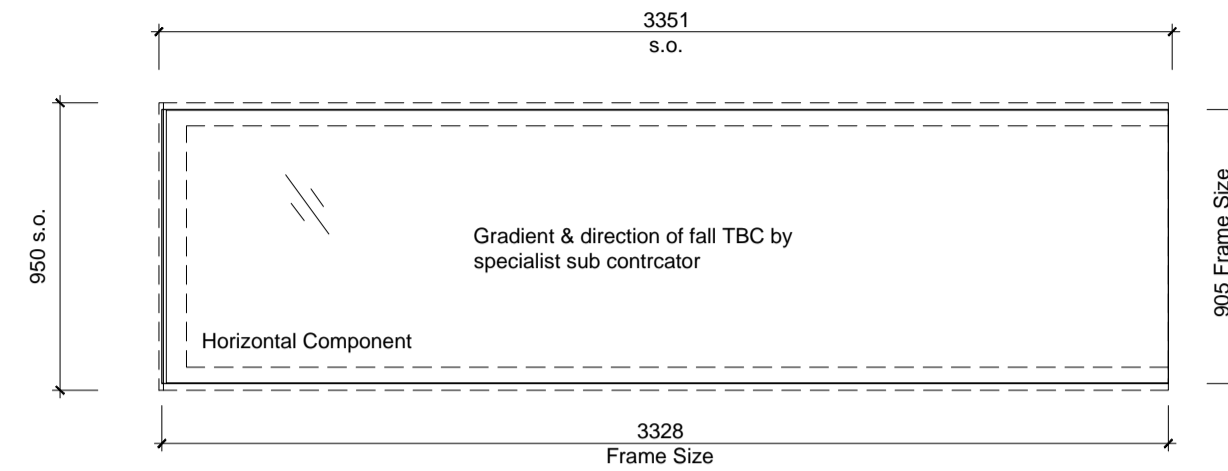
WINDOW NOTES

- All windows drawn from the outside



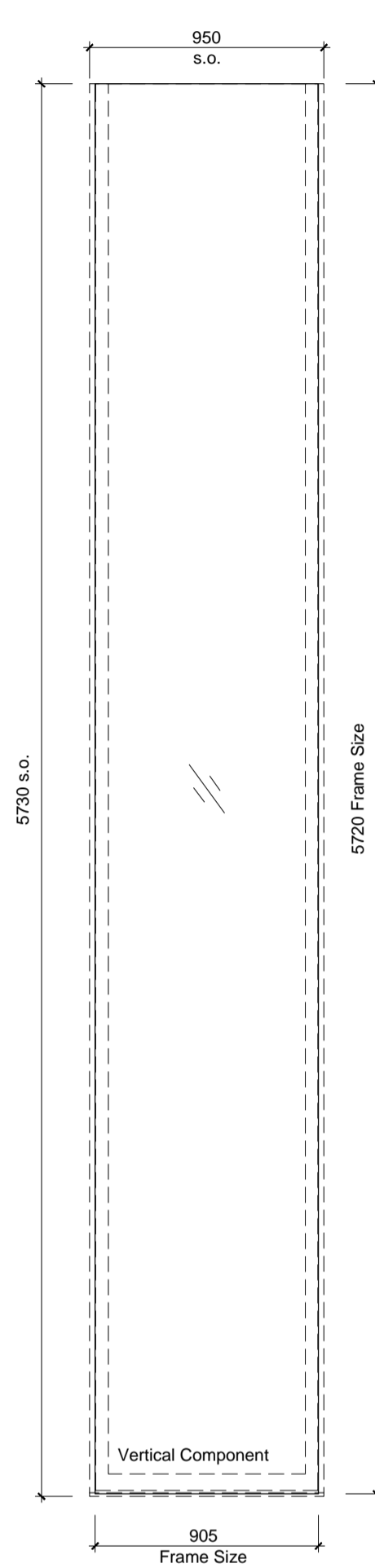
ROOFLIGHT TYPE 05

Window Number: RL.R.02
 Window System: Airsun Systems Stirling Vent
 Description: Pitched Roof AOV Rooflight
 Thermal Performance: 1.6 W/m²K or better
 Glazing: Double glazing, spec. TBC
 Ironmongery: TBC
 Trickle Ventilation: N/A
 Finish: Matt 30% PPC gloss level in RAL (TBC)



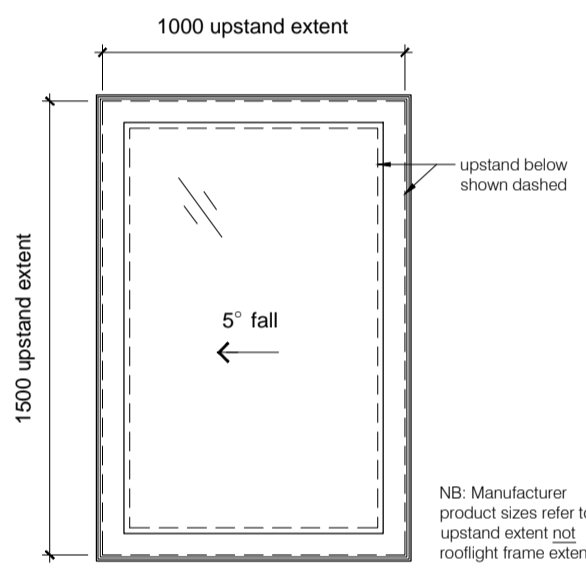
ROOFLIGHT TYPE 03

Window Numbers: RL.2.01 (Horizontal), RL.2.04 (Vertical)
 Window System: TBC
 Description: Bespoke 'frameless' fixed rooflight & window with double glazed structurally bonded and sealed units, details TBC
 Thermal: 1.6 W/m²K min.
 Glazing: Double glazing, spec TBC
 Ironmongery: N/A
 Trickle ventilation: N/A
 Finish: Matt 30% PPC gloss level in RAL (TBC)



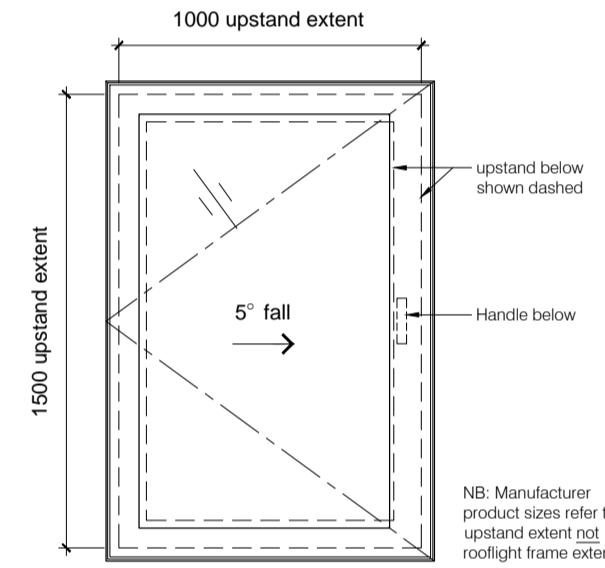
WINDOW TYPE 08

Window Number: W.2.25
 Window System: Bespoke
 Description: Fixed internal window, hardwood frame
 Fire performance: 30 minute integrity & insulation
 Glazing: Pyroguard T EI30/18-2
 Ironmongery: N/A
 Trickle Ventilation: N/A
 Finish: Matt 30% PPC gloss level in RAL (TBC)



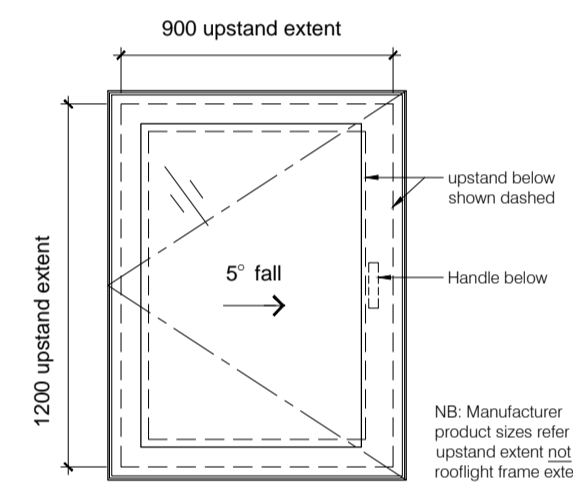
ROOFLIGHT TYPE 01

Window Number: RL.2.2
 Window System: Roofglaze Fixed Flatglass
 Description: Aluminum framed fixed rooflight on upstand
 Thermal: 1.6 W/m²K min.
 Glazing: Double glazing, spec TBC
 Ironmongery: N/A
 Trickle Ventilation: N/A
 Finish: Matt 30% PPC gloss level in RAL (TBC)



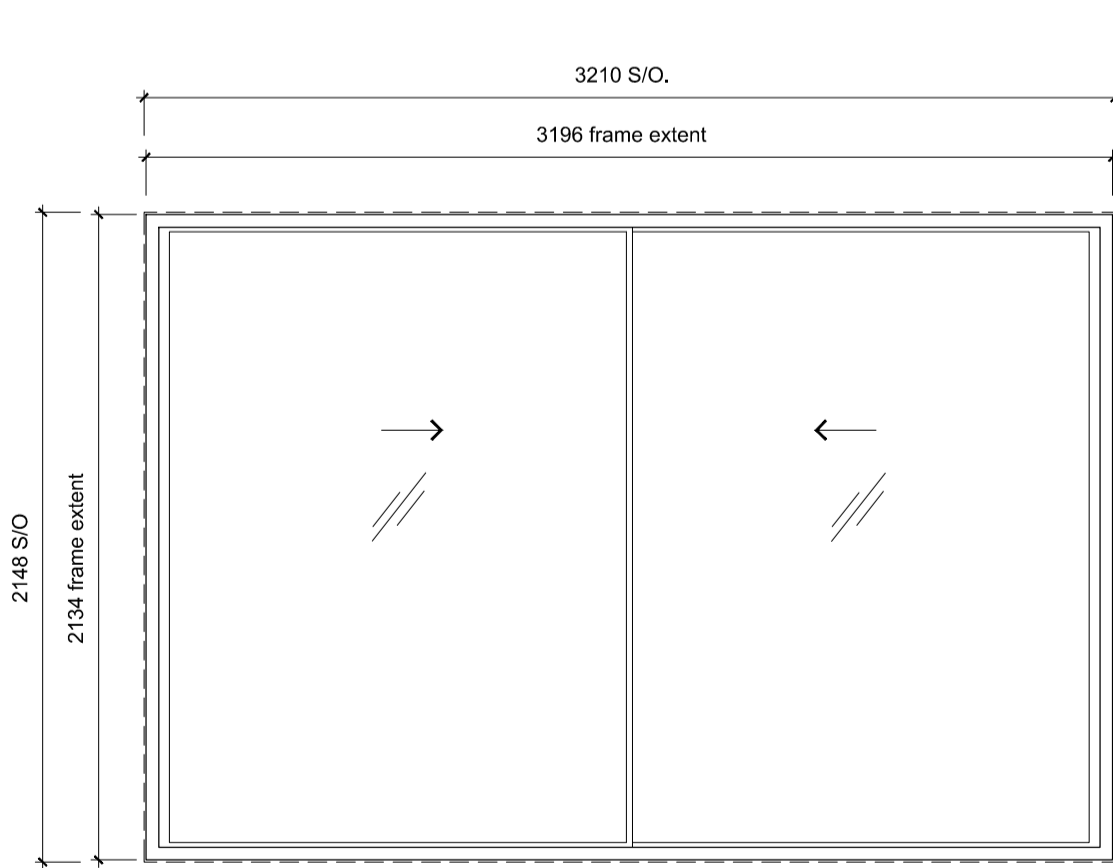
ROOFLIGHT TYPE 02

Window Number: RL.2.3
 Window System: Roofglaze Access Flatglass (manual)
 Description: Aluminum manual access rooflight on upstand
 Thermal: 1.6 W/m²K min.
 Glazing: Double glazing, spec TBC
 Ironmongery: N/A
 Trickle Ventilation: N/A
 Finish: Matt 30% PPC gloss level in RAL (TBC)



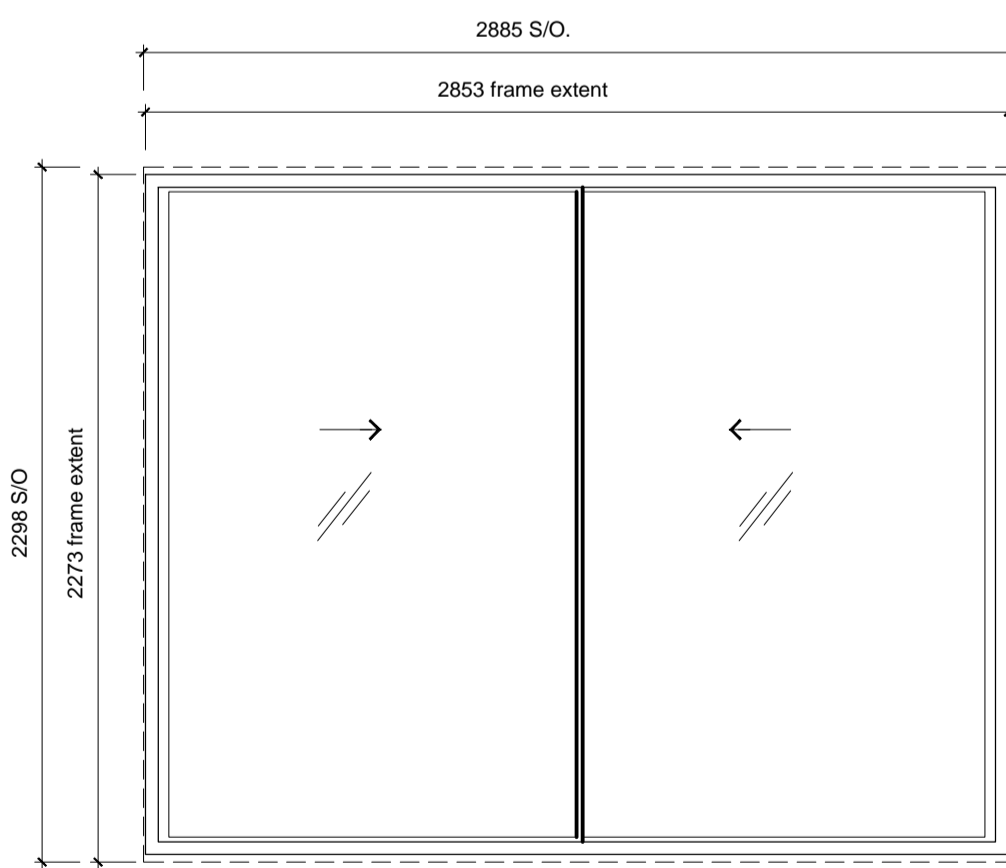
ROOFLIGHT TYPE 02

Window Number: RL.2.20
 Window System: Roofglaze Access Flatglass (manual)
 Description: Aluminum manual access rooflight on upstand
 Thermal: 1.6 W/m²K min.
 Glazing: Double glazing, spec TBC
 Ironmongery: N/A
 Trickle Ventilation: N/A
 Finish: Matt 30% PPC gloss level in RAL (TBC)



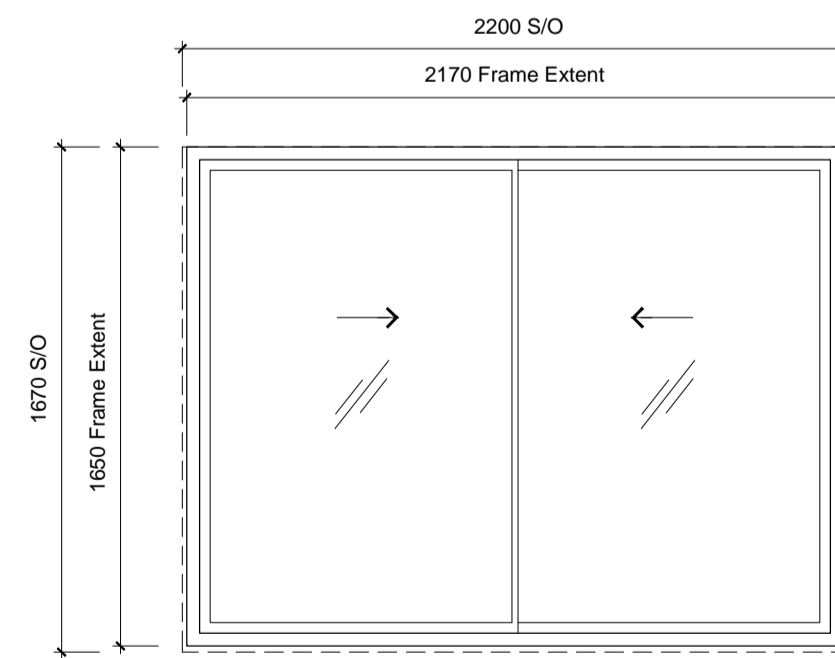
WINDOW TYPE 07

Window Numbers: W.LG.03
 Window System: Cortizo Cor-Vision
 Description: Aluminum framed sliding doors
 Thermal: 1.6W/m²K min.
 Glazing: Double glazing, spec TBC
 Ironmongery: TBC
 Trickle Ventilation: 1500mmsq required, detail TBC
 Finish: See finishes schedule/TBC



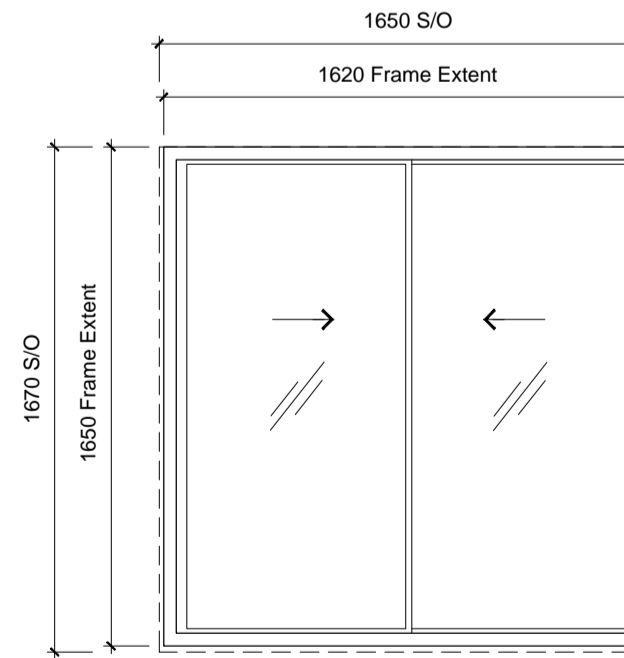
WINDOW TYPE 07

Window Numbers: W.LG.22
 Window System: Cortizo Cor-Vision
 Description: Aluminum framed sliding doors
 Thermal: 1.6W/m²K min.
 Glazing: Double glazing, spec TBC
 Ironmongery: TBC
 Trickle Ventilation: 1500mmsq required, detail TBC
 Finish: See finishes schedule/TBC



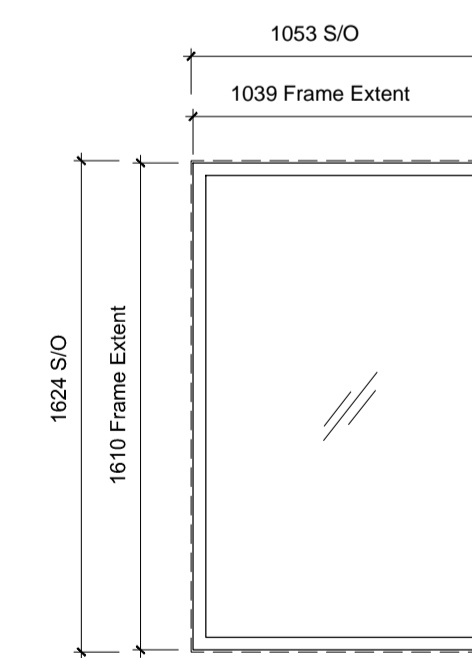
WINDOW TYPE 07

Window Numbers: W.4.01, W.4.20
 Window System: Cortizo Cor-Vision
 Description: Aluminum framed sliding windows
 Thermal: 1.6W/m²K min.
 Glazing: Double glazing, spec TBC
 Ironmongery: TBC
 Trickle Ventilation: N/A
 Finish: See finishes schedule/TBC



WINDOW TYPE 07

Window Numbers: W.4.21
 Window System: Cortizo Cor-Vision
 Description: Aluminum framed sliding windows
 Thermal: 1.6W/m²K min.
 Glazing: Double glazing, spec TBC
 Ironmongery: TBC
 Trickle Ventilation: N/A
 Finish: See finishes schedule/TBC



WINDOW TYPE 07

Window Numbers: W.4.02
 Window System: Cortizo Cor-Vision
 Description: Aluminum framed fixed window
 Thermal: 1.6 W/m²K min.
 Glazing: Double glazing, spec TBC
 Ironmongery: TBC
 Trickle Ventilation: N/A
 Finish: Matt 30% PPC gloss level in RAL (TBC)

rev	date	drawn	checked	description
B	28.11.2016	ww	lg	Window W.2.25 added
A	19.09.2016	ww	lg	General update



modulor studio
 5a Iliffe Yard
 London, SE17 3QA
 t: +44 (0)20 7193 1717
 e: www.modulor-studio.co.uk

client

project address: 66-67 Guilford Street, London WC1N 1DF



drawing title: Window & Door Schedule_7
 scale: 1:25 @ A1 (1:50 @ A3)

job no. 16009 dwg no. 416 revision B

16009

416

B