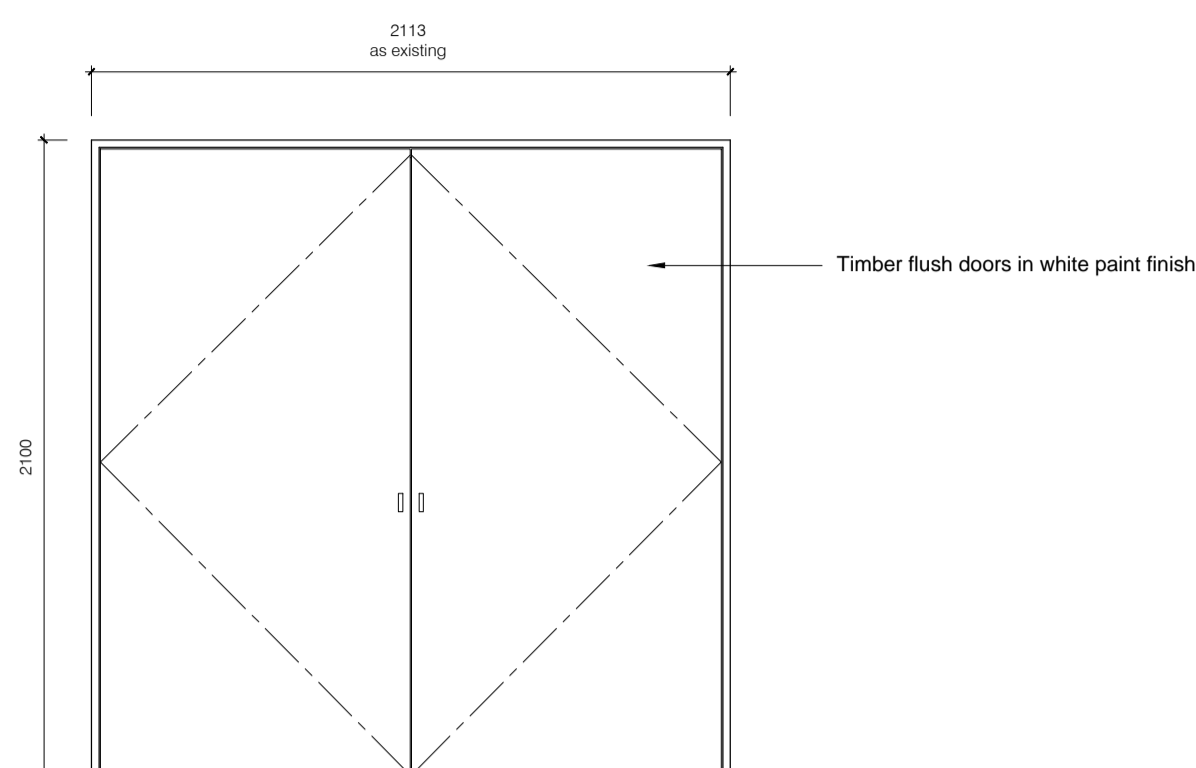
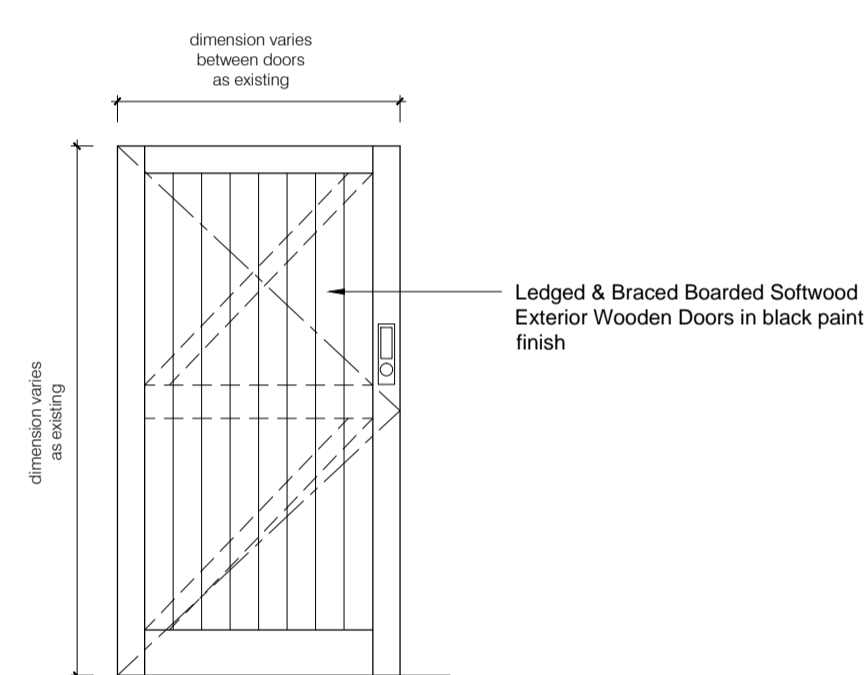


NO 66 ELECTRICITY CUPBOARD DOOR TO FRONT LIGHTWELL



01 As Proposed
1:25 @ A1 (1:50 @ A3)

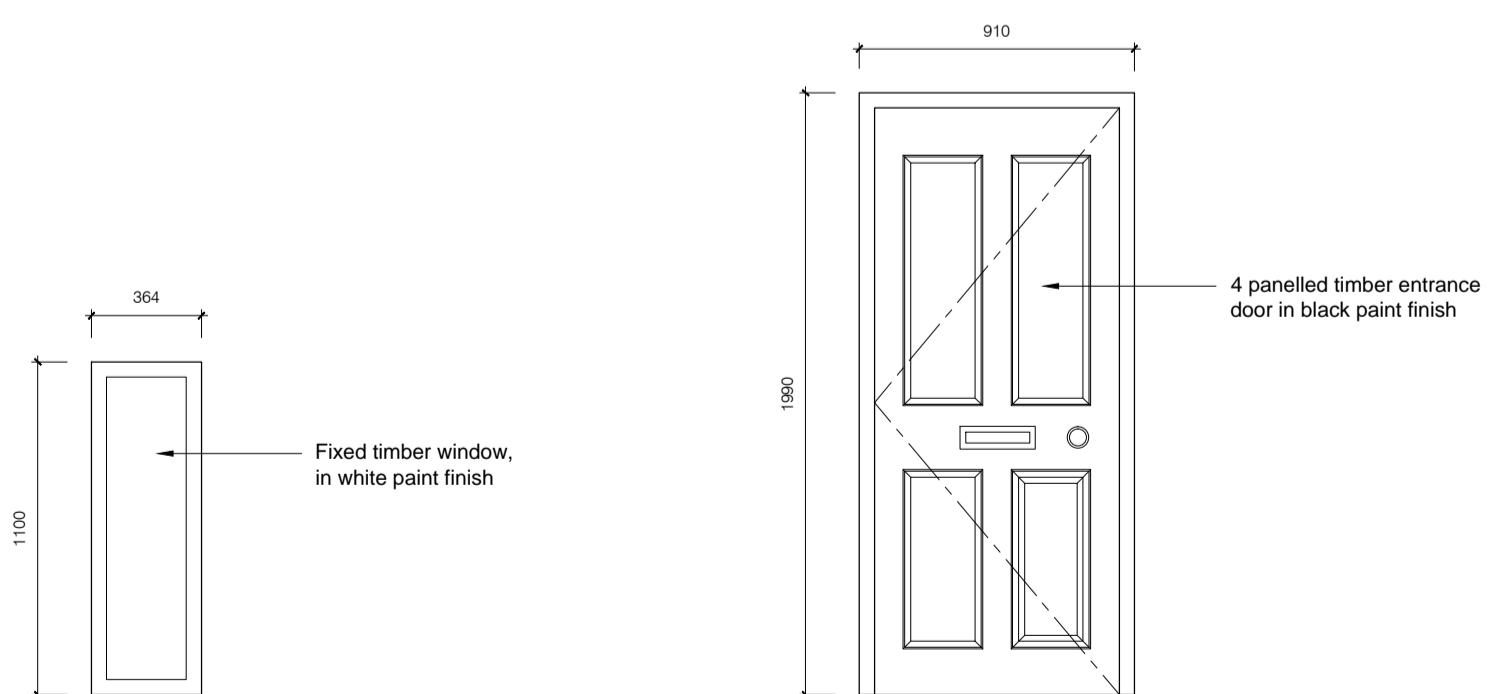
NO 66 & 67 VAULT DOORS



Door No: D.LG.01, D.LG.02, D.LG.20 & D.LG.28

02 As Proposed
1:25 @ A1 (1:50 @ A3)

NO 67 REAR WINDOWS



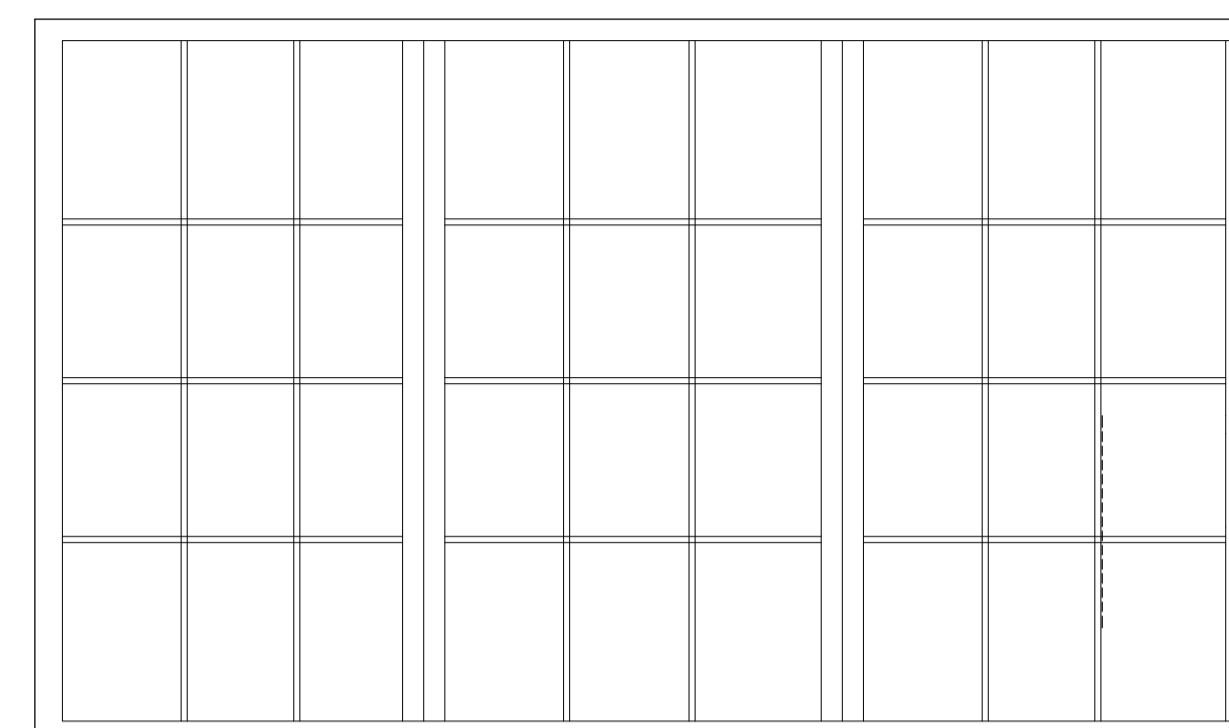
Window No: W.LG.25

Door No: D.LG.22

03 As Proposed
1:25 @ A1 (1:50 @ A3)

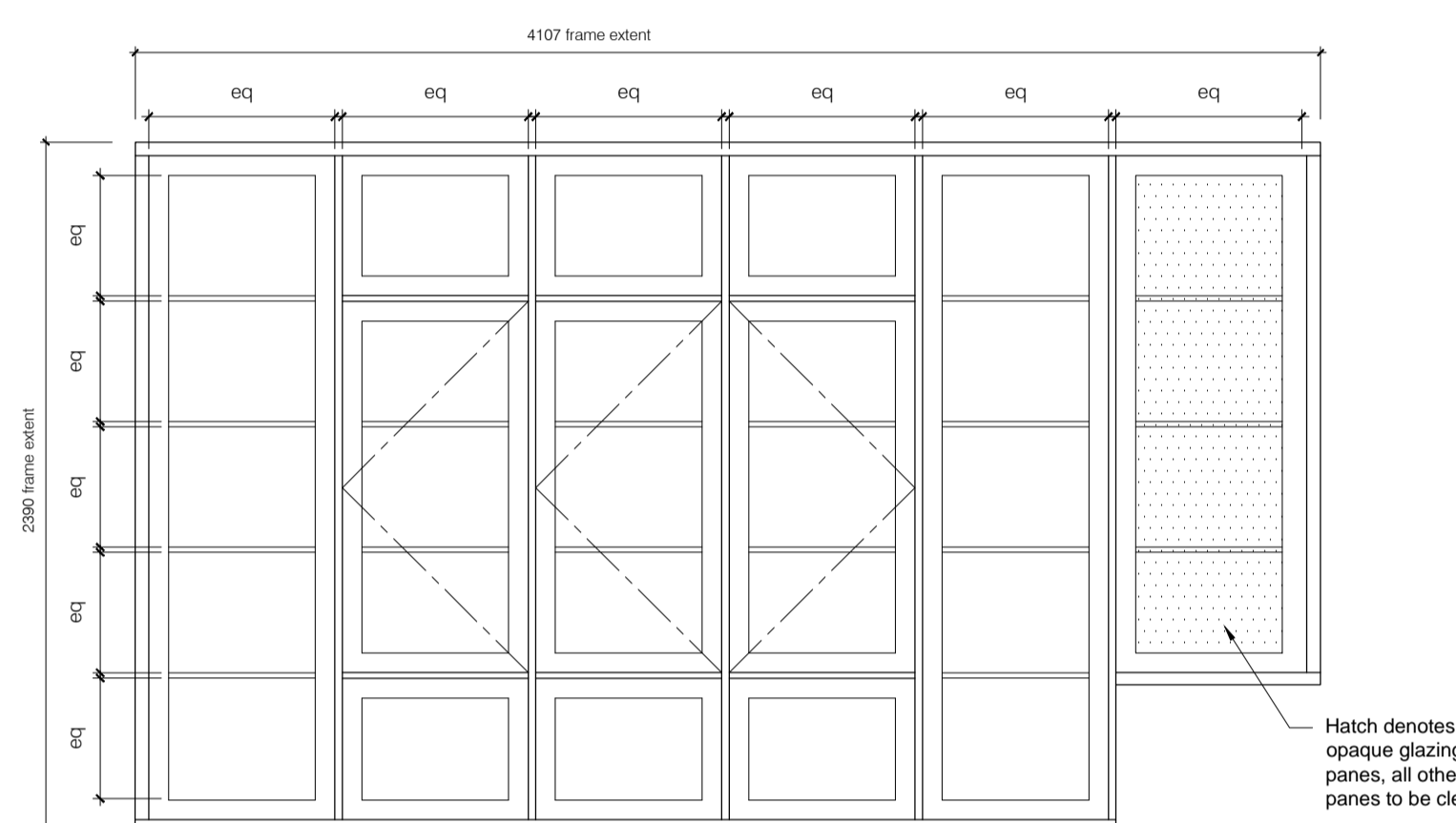
04 As Proposed
1:25 @ A1 (1:50 @ A3)

NO 67 FIRST FLOOR REAR WINDOWS



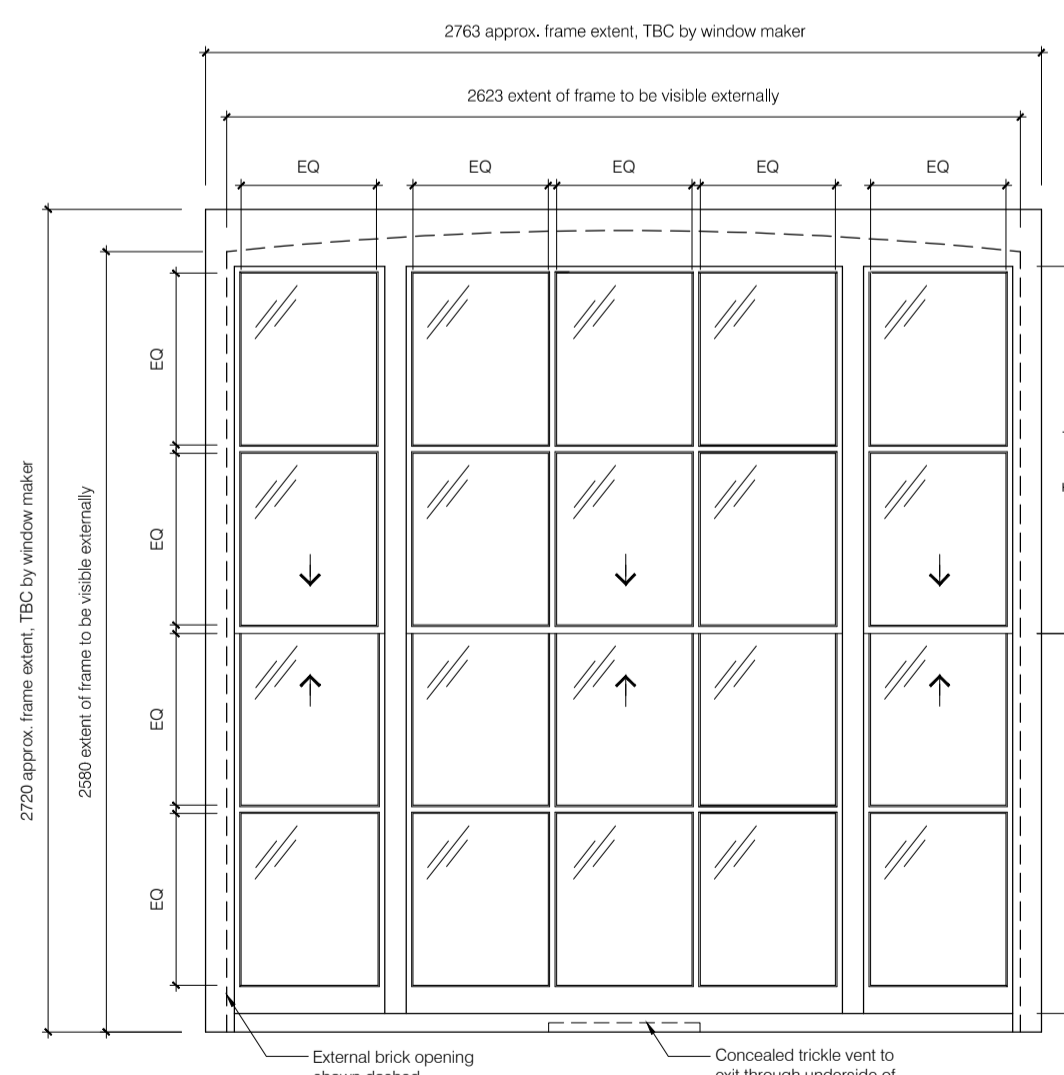
Window No: WX.1.23 (Existing)

05 As Existing
1:25 @ A1 (1:50 @ A3)



06 As Proposed
1:25 @ A1 (1:50 @ A3)

WINDOW TYPE 04
Window Number: WX.1.23 (To replace existing)
Description: Timber casement window
Window System: Mumford & Wood Conservation Range
68mm Mullions & Transoms
18mm Fine Lambs Tongue glazing bars
Thermal: 1.6W/m2K min.
Glazing: Double glazing, 24mm
Ironmongery: Standard Bulb End Casement Handles (Mumford)
Easy Clean hinges (Mumford)
Trickle Ventilation: 2500mmsq required, detail TBC
Finish: See finishes schedule/TBC



07 As Proposed
1:25 @ A1 (1:50 @ A3)

WINDOW TYPE 02
Window Numbers: W.G.22
Window System: N/A
Description: Conservation type timber box sliding sash to match WX.1.05
Thermal: As existing windows (4.3 - 4.8W/m2K min.)
Glazing: 10mm laminated Acoustic single glazing
Ironmongery: TBC
Trickle Ventilation: 2500mmsq required, detail TBC
Finish: See finishes schedule/TBC

rev	date	drawn	checked	description
B	28.11.2016	ww	lg	Window Type 04 amended
A	19.09.2016	ww	lg	General update



modular studio
5a Iliffe Yard
London, SE17 3QA
t: +44 (0)20 7193 1717
e: www.modular-studio.co.uk

client:



project address:
66-67 Guilford Street, London WC1N 1DF
drawing title:
Window & Door Schedule 5
scale:
1:25 @ A1 (1:50 @ A3)

job no.

16009

dwg no.

414

revision

B