

PLANNING - NOT FOR CONSTRUCTION		Elnoar Haseen	
Dimensions are approximate		Tel: 07870 699937	
		arch@elinoarhaseen.com	
Site Address:	3rd October, 2016	1:50 @ A3	
46A Arkwright Road	EXISTING LOWER GROUND FLOOR		
London	PLAN @1:50		
NW3 6BH	46A ARK /S100		



5000
4000
3000
2000
1000

internal ceiling height

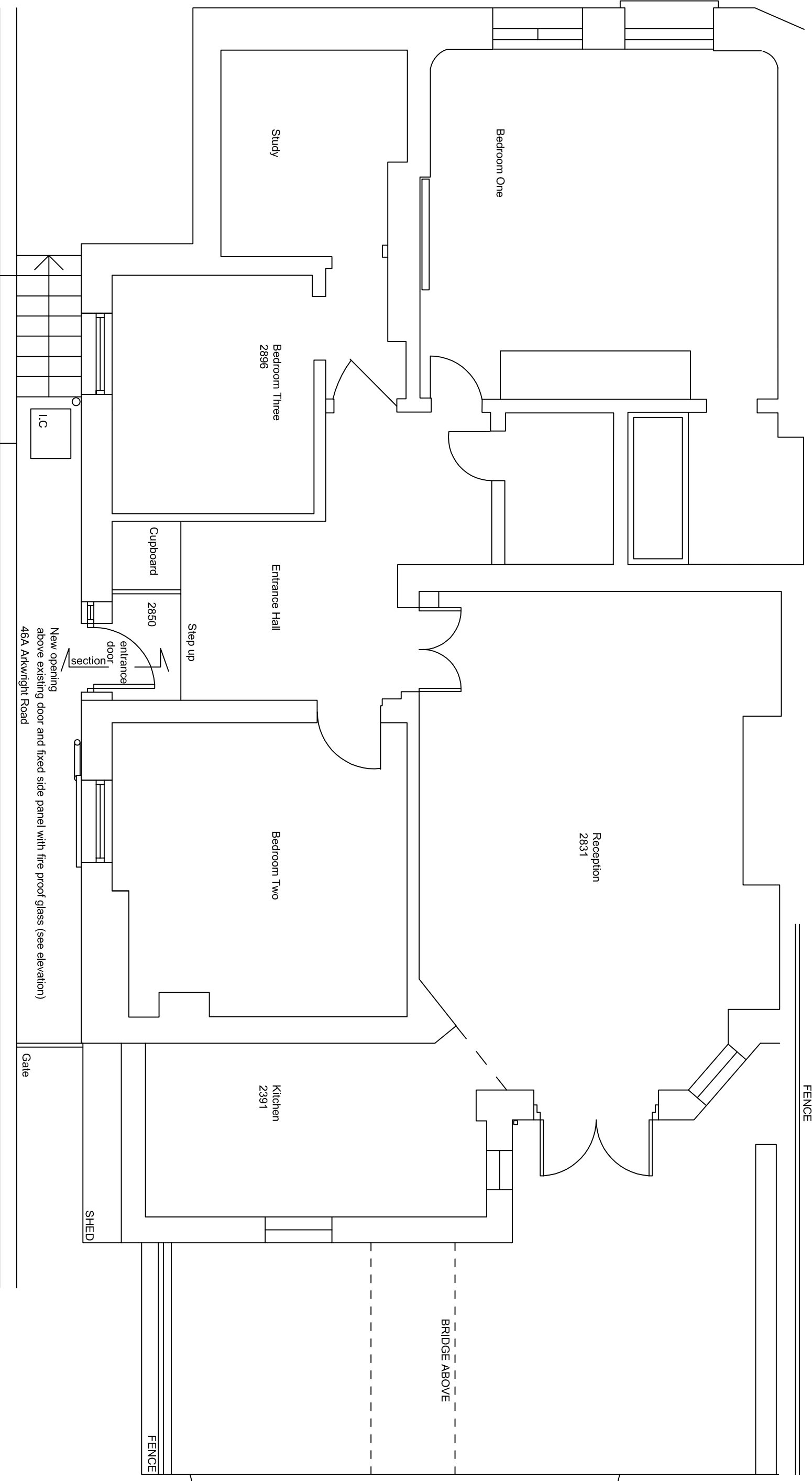
1000 2000 3000 4000 5000
FOR SCALING PURPOSES, THIS LINE IS 5000 mm LONG

PLANNING - NOT FOR CONSTRUCTION
Dimensions are approximate

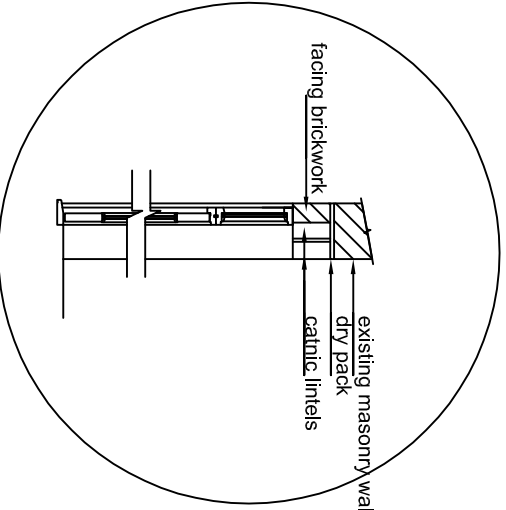
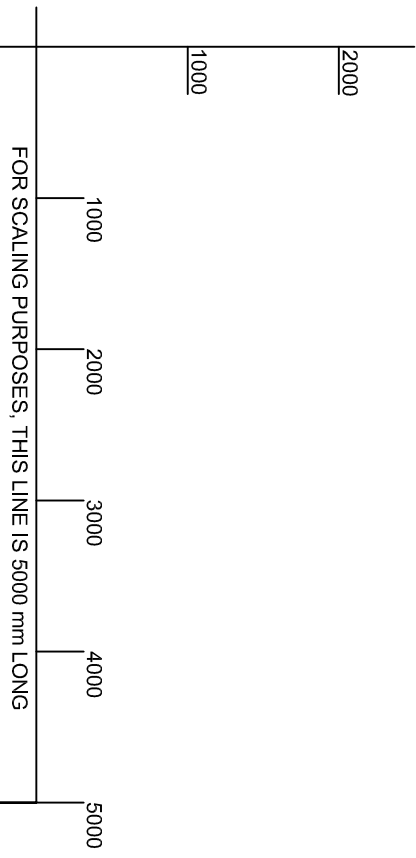
Elnoar Haseen
Tel: 07870 699937
arch@elinoarhaseen.com

Site Address:
46A Arkwright Road
London
NW3 6BH

3rd October, 2016 1:50 @ A3
PROPOSED PARTIAL SIDE ELEVATION
46A ARK /PL300



1580h This wall is 1430mm high on 44 Arkwright Road's side and is 2584mm high on 46 Arkwright Road's side



PLANNING - NOT FOR CONSTRUCTION
 Dimensions are approximate

Elnoar Hasseen
 Tel: 07870 699937
 arch@elnoarhasseen.com

Site Address: 46A Arkwright Road London NW3 6BH
 3rd October, 2016 1:50 @ A3
PROPOSED LOWER GROUND FLOOR PLAN @1:50
 46A ARK /PL 100



PLANNING - NOT FOR CONSTRUCTION
 Dimensions are approximate

Elnoar Haseen
 Tel: 07870 699937
 arch@elnoarhaseen.com

Site Address:
 46A Arkwright Road
 London
 NW3 6BH

3rd October, 2016 | 1:50 @ A3
PROPOSED PARTIAL SIDE ELEVATION
 46A ARK /PL 300