

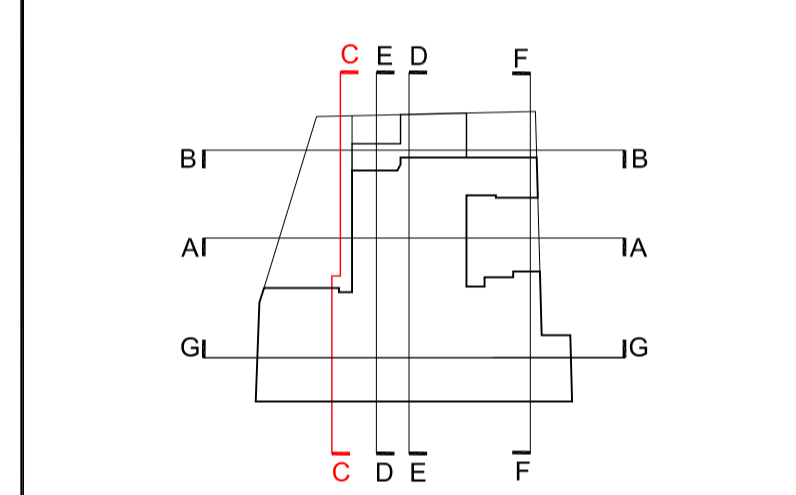
NOTE:  
THIS DRAWING IS SUBJECT TO COPYRIGHT  
ALL DIMENSIONS SHALL BE CHECKED ON SITE AND THE ARCHITECT  
SHALL BE NOTIFIED OF ANY DISCREPANCIES PRIOR TO WORK  
COMMENCING.

PLANS HAVE BEEN BASED ON CAD DATA PROVIDED BY THE CLIENT  
WHICH HAS NOT BEEN CHECKED FOR ACCURACY

- NOTES:
1. Slab thickness and beams provided from Structural Engineer's model
  2. Interior partitions & ceiling heights indicative subject to Interior layout and services development

- MATERIALS & FINISHES**
1. NEW ILLUMINATED GLASS CANOPY WITH STAINLESS STEEL FIXINGS
  2. NEW FULL HEIGHT GLASS DOOR WITH AUTOMATIC OPENING
  3. FULL HEIGHT DOUBLE GLAZED FACADE
  4. FULL HEIGHT GLAZED PASS DOOR
  5. FIXED GLAZED INFILL PANEL
  6. HOTEL ILLUMINATED SIGNAGE LOCATIONS
  7. GLASS DOOR AND INFILL PANELS
  8. NEW PAVING WITH INTEGRAL UPLIGHTS (Hatching indicative)
  9. NEW ILLUMINATED SOFFIT

KEY PLAN



NO.	DESCRIPTION	DATE	DR BY
P6	Issue for Planning	14.10.2016	DS
P7	Issue for Planning - Revised Submission	10.11.2016	CD

THIS DRAWING SUBJECT TO COPYRIGHT

CLIENT  
SHIVA KINGSWAY LTD

PROJECT  
KINGSWAY HALL HOTEL

TITLE  
SECTION CC  
PROPOSED

DATE  
14.06.2016

SCALE @ A1  
1/100

JOB NO	DRAWN BY	CHECKED
202	DS	GR

DRAWING NO  
202

REVISION  
P7

