

DRAD ANGLE

Product Code: DA/xx/xx/xx/xx/xx

Product description:

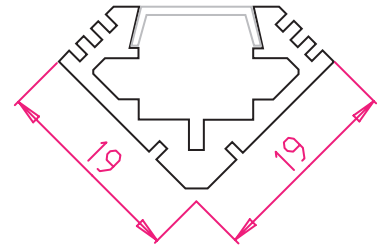
A slim 19mm wide decorative anodised heatsink to take led boards and tape up to 12mm wide.

Designed to fit into corners for easy surface mounting. Drad angle is supplied with mounting clips for a simple solution.

The Clear cover gives added ingress protection and damage resistance to the leds whilst the Opal Diffuser also gives the benefit of smooth dot-free lighting. Each extrusion comes with trimmed End Caps to add refinement to the finished product



Parameter	Specification
Dimensions (mm):	19 x 19
Mounting Type:	Surface
Finish:	Anodised Aluminium
Light Source:	Osram LED Tape
Colour Temperature (K):	2700, 3000, 4000, RGB, Tuneable White
Diffuser:	Opal
Delivered Lumens:	-
Power Consumption (W):	-
Efficiency (lm/W):	-
CRI:	> 80
Driver:	Fixed, 1-10V, DALI, DMX, Mains
Operating Voltage (V):	230
Lifetime (hrs):	50,000 (80% Efficiency)
IP rating:	20
Optional Extras:	-



Additional Info

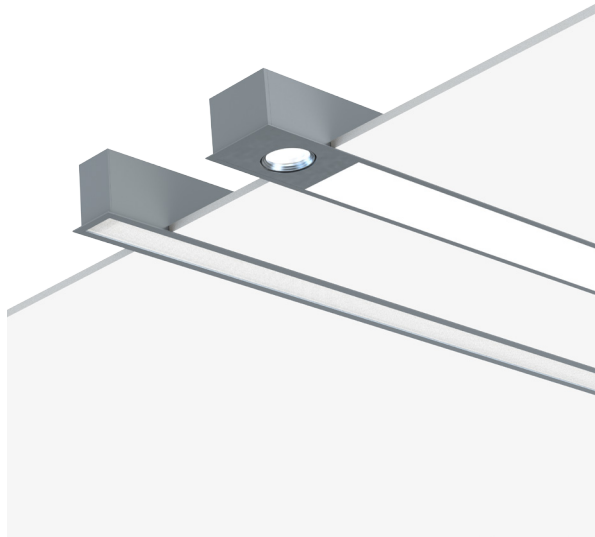
Optional



Quad 46

Product Code: Q46/xx/xx/xx/xx/xx

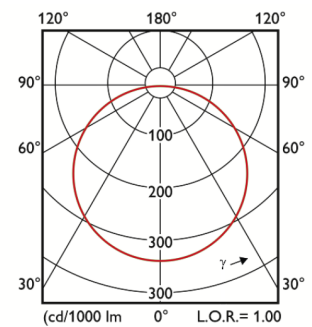
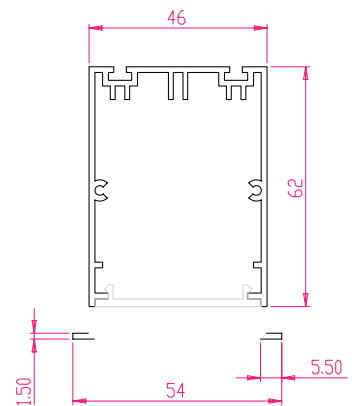
Product description:



The Quad 46 range of extruded aluminium profile can be Suspended or Surface Mounted on ceilings or walls or Recessed with or without a flange for a Plaster-in Trimless finish. Manufactured in the UK, Quad 46 is part of our M²M range (Made to Measure as Standard) allowing the specifier to dictate exactly the size and configuration that the current project demands. With our wide range of led boards it is possible to create any length of continuous and evenly spread lines of direct lighting – featuring straight sections, with mitred and curved corners. Standard finishes are White, Black and Silver Anodised – any RAL available. Use the Project Specific Datasheet to see the full selection of led boards with diffuser options including MPO, Opal and Asymmetric Deflectors. Drivers options include, on/off; Dali and 1-10v

Additional integrated features include downlights and tracks (230v & 48v) plus emergency lighting, daylight/presence detectors. Each Quad can be manufactured with multiple circuits to ensure effective control of the lighting.

Parameter	Specification
Dimensions (mm):	46 x 62
Mounting Type:	Recessed, Surface, Suspended, Wall, Plaster In
Finish:	Black, White, Anodised Aluminium, RAL
Light Source:	Fortimo Medium, High, Super High Output LED
Colour Temperature (K):	2700, 3000, 4000, RGB, Tuneable White
Diffuser:	MPO, MPO Anti Pixel, Opal, Asymmetric
Delivered Lumens:	-
Power Consumption (W):	-
Efficiency (lm/W):	-
CRI:	> 80
Driver:	Fixed, 1-10V, DALI, DMX, Mains
Operating Voltage (V):	230
Lifetime (hrs):	50,000 (80% Efficiency)
IP rating:	20
Optional Extras:	Emergency, Presence Detector, Daylight Sensor



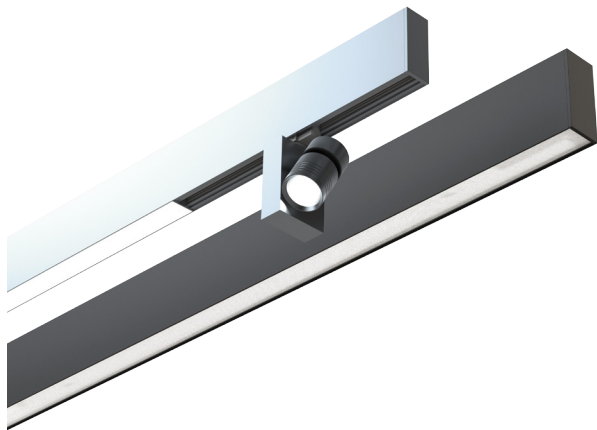
— 0-180° — 90-270°
Philips Fortimo 3r 1100lm
See downloads for additional photometrics

Additional Info
<i>Optional</i>

TATOO 46

Product Code: T46/xx/xx/xx/xx/xx

Product description:



Tatoo 46 is a suspended extruded aluminium system designed for separately controlled Direct and Indirect lighting.

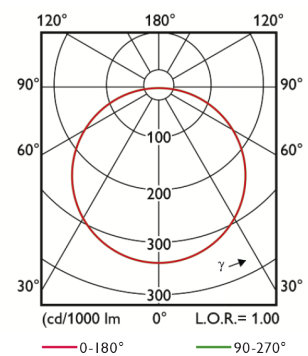
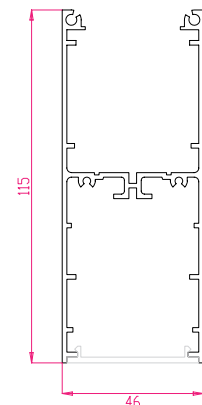
Tatoo 46 is part of our M²M range manufactured in our UK factory and allowing the specifier to create any length of continuous lines of light in straight sections with integrated mitres for corners & plane change.

Use the Project Specific Database to see the full range of LED boards available for both Direct and Indirect compartments. Diffuser options including MPO, Opal, Transparent and Asymmetric Deflectors. Driver options include, on/off; Dali and 1-10v dimming.

Standard finishes are White, Black and Silver Anodised – any RAL available.

Additional integrated features include downlights and tracks (230v & 48v) plus emergency lighting, daylight/presence detectors. Each Tatoo can be manufactured with multiple circuits to top and bottom components to ensure bespoke control of the lighting.

Parameter	Specification
Dimensions (mm):	46 x 115
Mounting Type:	Suspended
Finish:	Black, White, Anodised Aluminium, RAL
Light Source:	Fortimo Medium Output LED
Colour Temperature (K):	3000, 4000
Diffuser:	Opal
Source Lumens:	650lm per board (280mm Board)
Power Consumption (W):	3.8 per board
Efficiency (lm/W):	-
CRI:	> 80
Driver:	Fixed, 1-10V, DALI, DMX, Mains
Operating Voltage (V):	230
Lifetime (hrs):	50,000 (80% Efficiency)
IP rating:	20
Optional Extras:	Emergency, Presence Detector, Daylight Sensor



See downloads for additional photometrics

Additional Info
<i>Optional</i>