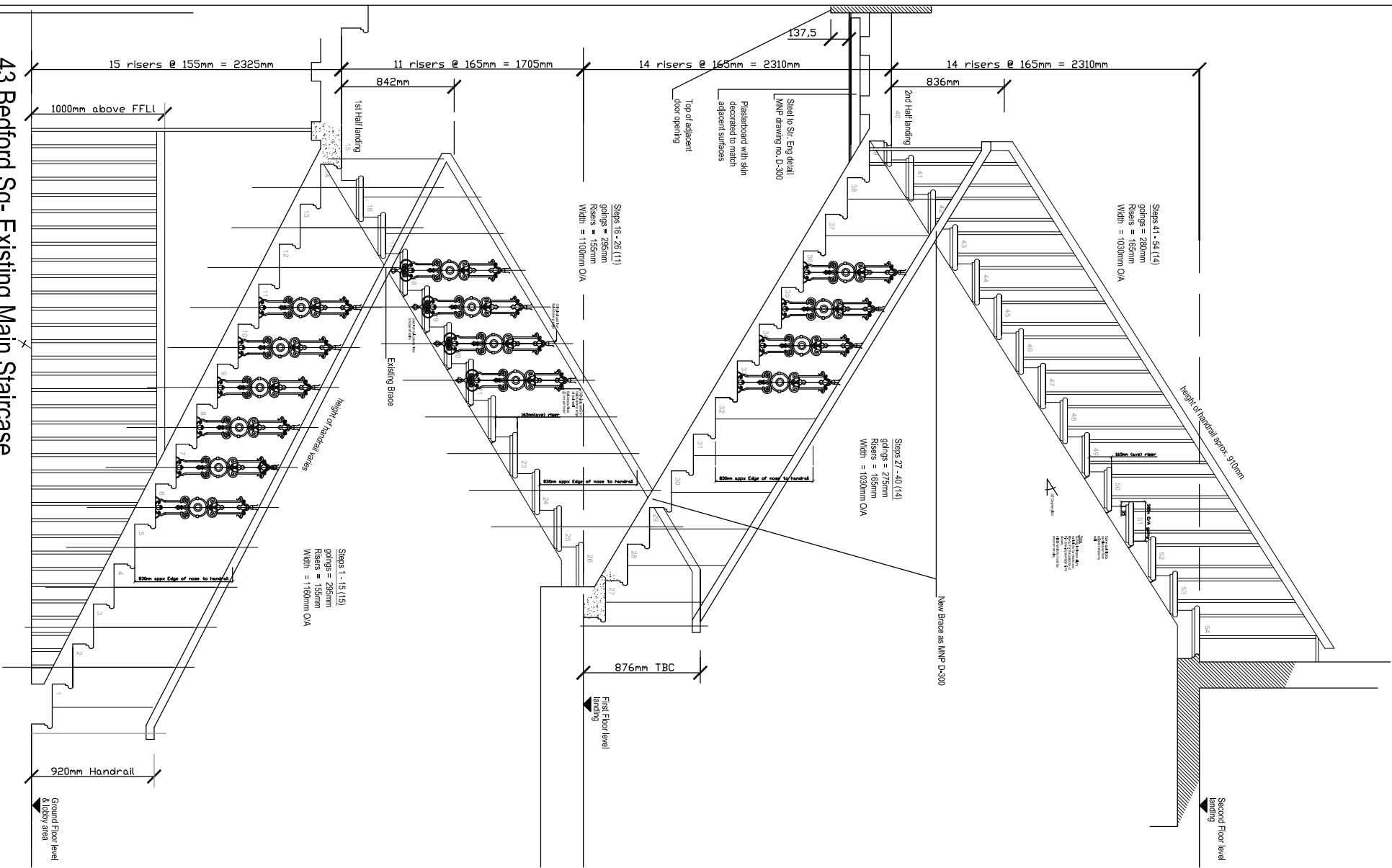
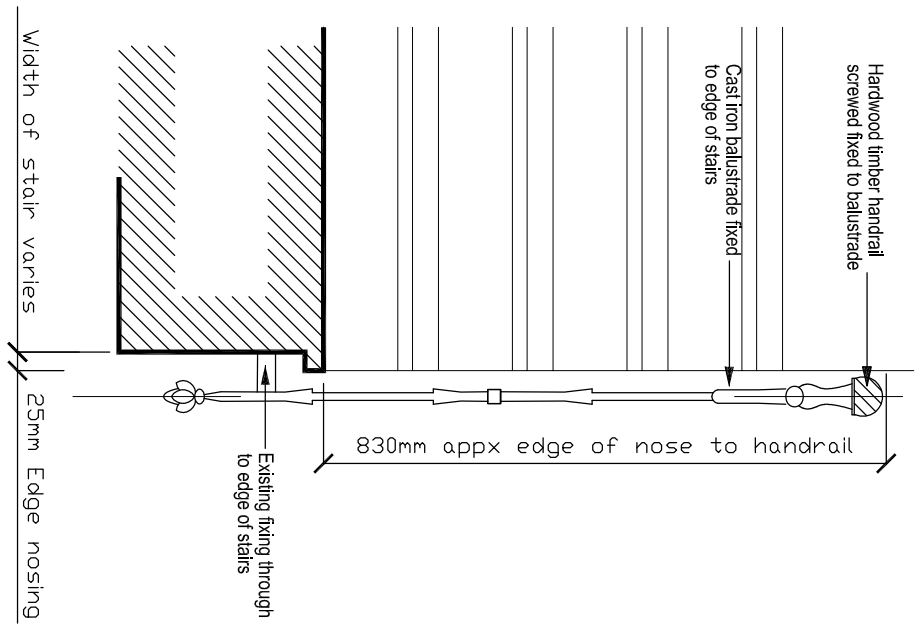


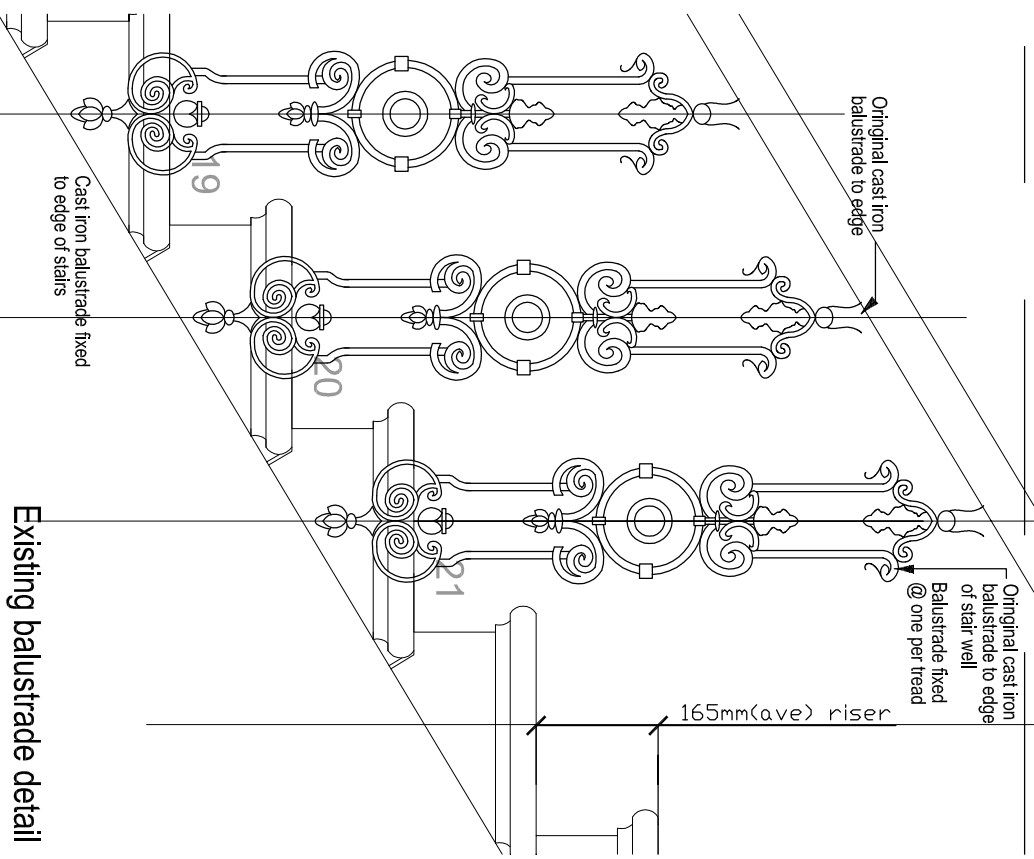
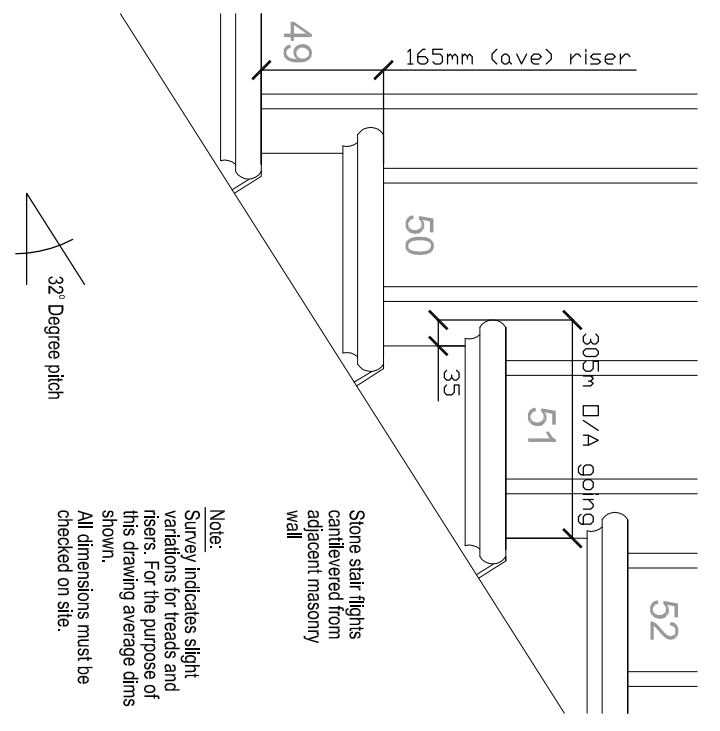
43 Bedford Sq - Existing Main Staircase
Scale 1:20



Edge of stair
Scale:1:5



Existing typical treads and risers
Scale: 1:5



Notes
Copyright © EWI Architects
This drawing must not be copied, reproduced or otherwise used without the written consent of EWI Architects.

Name: _____

Date: _____

| | | | |
|-------------|----------|------------|--------------------------|
| Project No. | 2226 | Client | London Tube City Council |
| Drawn by | EWI | Checked by | EWI |
| Issue No. | 1 | Revision | None |
| Scale | As Shown | By | EWI |

EWI™
Architects

151 Rosebery Avenue
London
EC1R 4AB
T: +44 (0)20 7941 7200

| | |
|-------------|--------------------------------------|
| Client | London Tube City Council |
| Project | 43 Bedford Sq - Proposed Main Stairs |
| Issue | 01 |
| Drawn by | EWI |
| Issue No. | 1 |
| Scale | As Shown |
| By | EWI |
| Project No. | 2200 |
| Issue | AA |
| Revision | 24A01 |
| By | B |