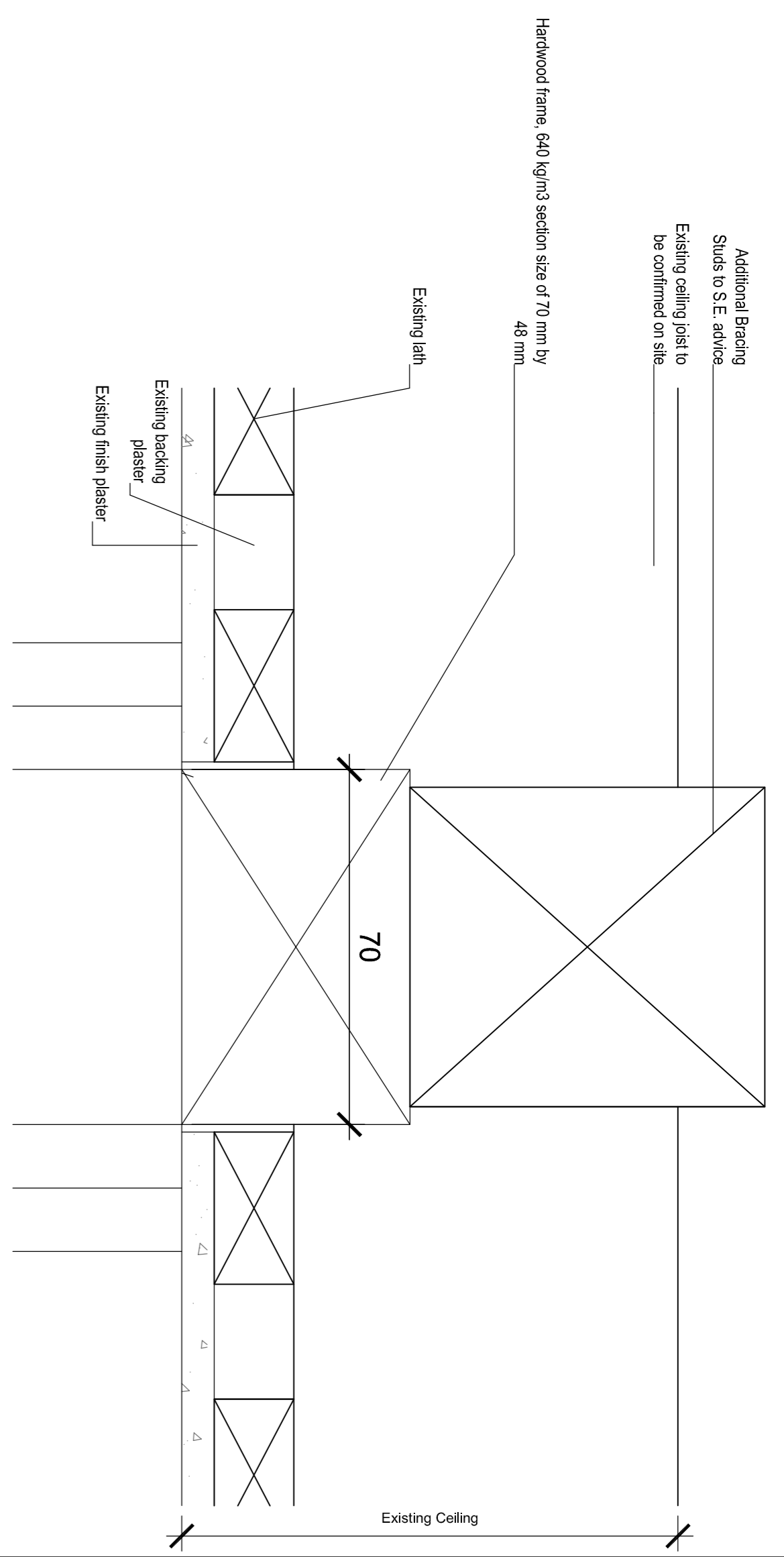
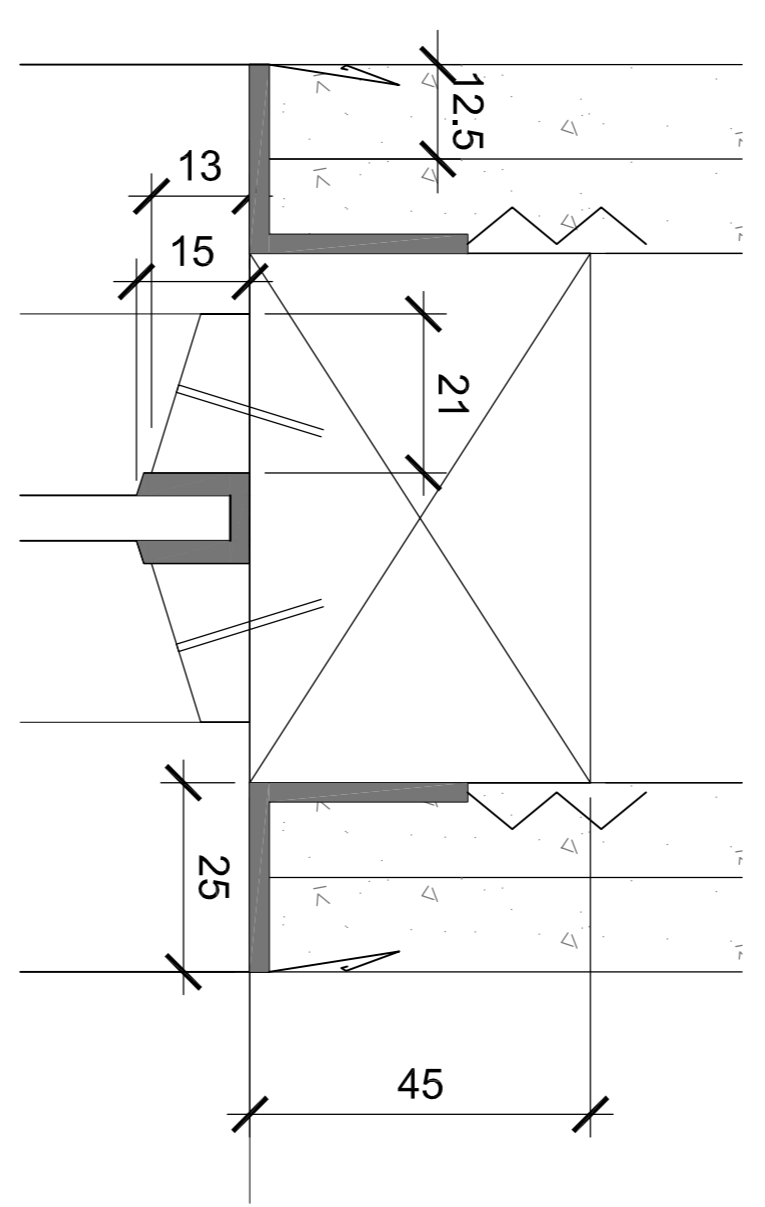


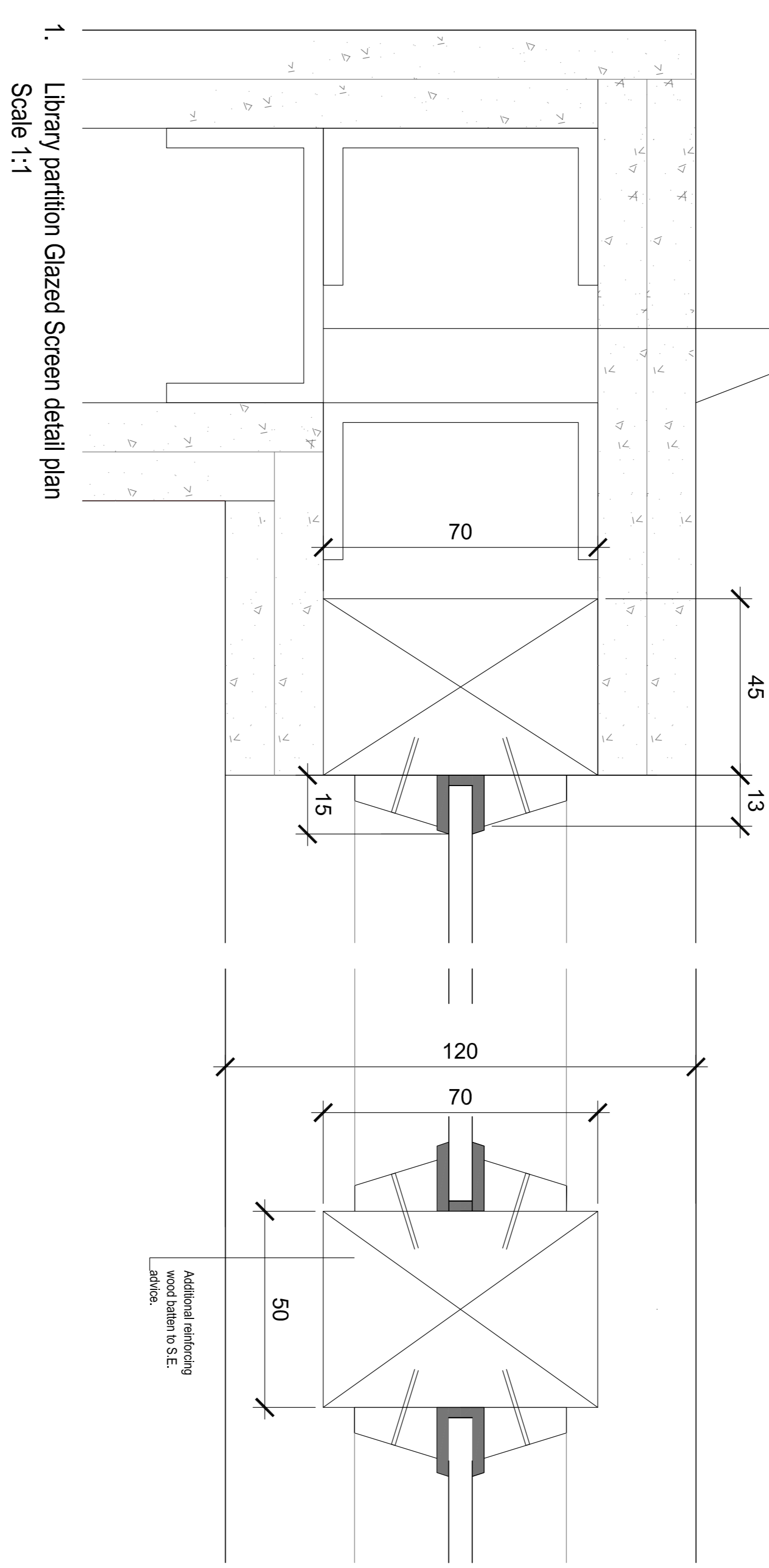
Notes
 All dimensions are in millimetres unless otherwise specified.
 This drawing is not to be scaled. Dimensions are in millimetres unless specified.
 The drawing must not be scaled. Dimensions are in millimetres unless specified.



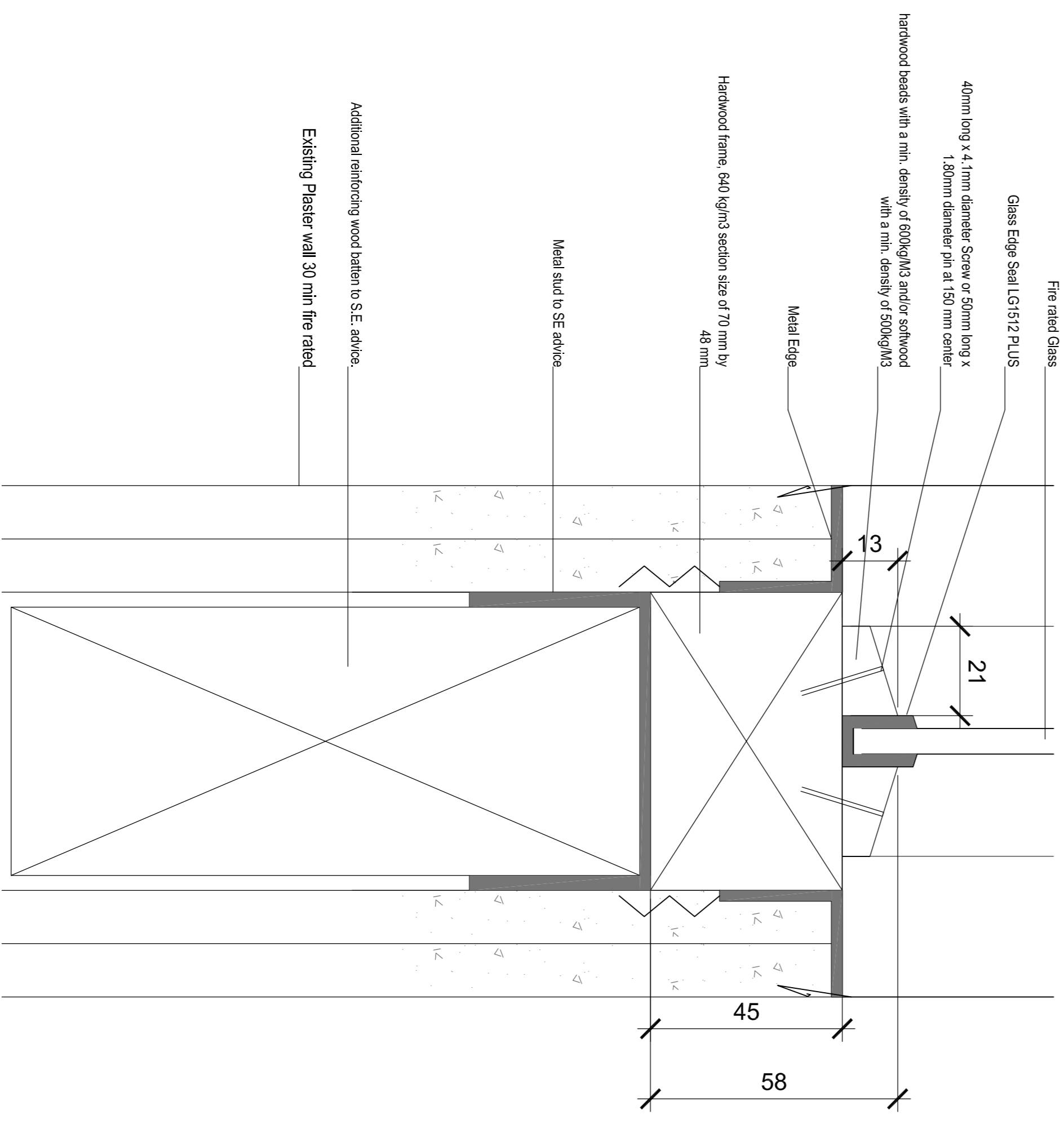
2.a) Glazed screen head detail



2.b) Glazed screen head detail



1. Library partition Glazed Screen detail plan
 Scale 1:1



2. Library partition Glazed Screen Head and sill detail
 Scale 1:1

Rev / Date / Revision No. By / Check

EWI™
 EWI Williams Architects
 151 Rosebery Avenue
 London
 EC1R 4AB
 T: +44 (0)20 7541 7200

| | | | | | |
|----------|--------|-------------|-------|-------------|-------|
| 2200 | | AG | | (22)A10 | |
| Client | 220016 | Scale at A1 | 1:100 | Scale at A3 | 1:200 |
| Drawn by | AG | Checked by | | Scale at A1 | 1:100 |
| Drawn by | AG | Checked by | | Scale at A3 | 1:200 |