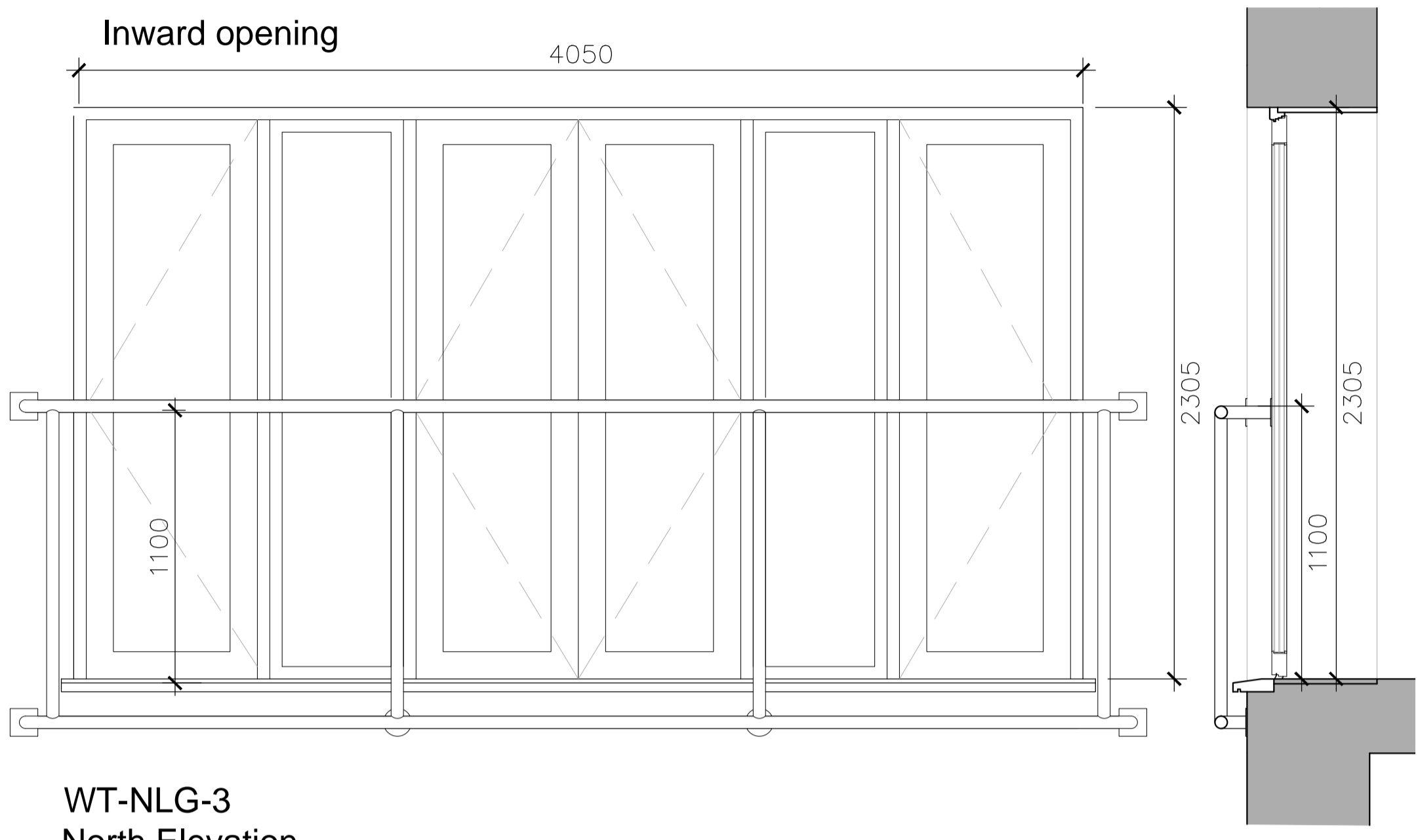


NB - As a general rule we will set back the windows 100mm from the external face of the facade
 - All dims to be confirmed on site

USE FIGURED DIMENSIONS ONLY
 DO NOT SCALE FROM THIS DRAWING.
 ALL DIMENSIONS MUST BE CHECKED ON SITE ANY
 INCONSISTENCIES MUST BE REPORTED BACK TO THE ARCHITECT.
 THIS DRAWING AND ANY DESIGNS INDICATED THEREON ARE THE
 COPYRIGHT OF BROOKS / MURRAY ARCHITECTS.
 ALL RIGHTS ARE RESERVED.
 NO PART OF THIS WORK MAY BE PRODUCED WITHOUT PRIOR
 PERMISSION IN WRITING FROM BROOKS / MURRAY ARCHITECTS.

29 Timber Frame casement juliet balcony doors and windows module bespoke arrangement- Triple Glazed

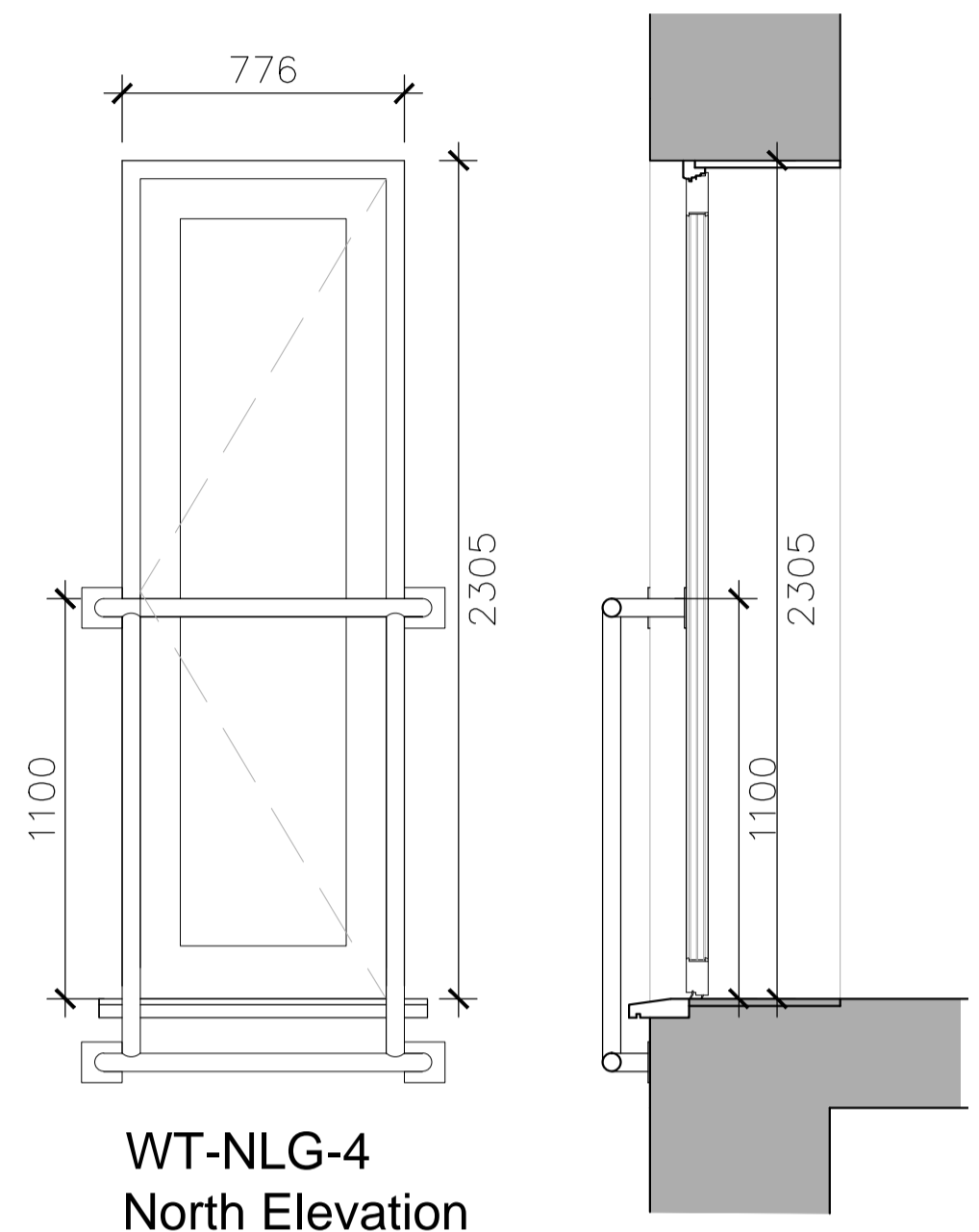


WT-NLG-3
 North Elevation
 Lower Ground Floor

- NEW WALL
 - NEW OPENING

- SEE DRAWING NO
 939 -303

30 Timber Frame - Triple Glazed

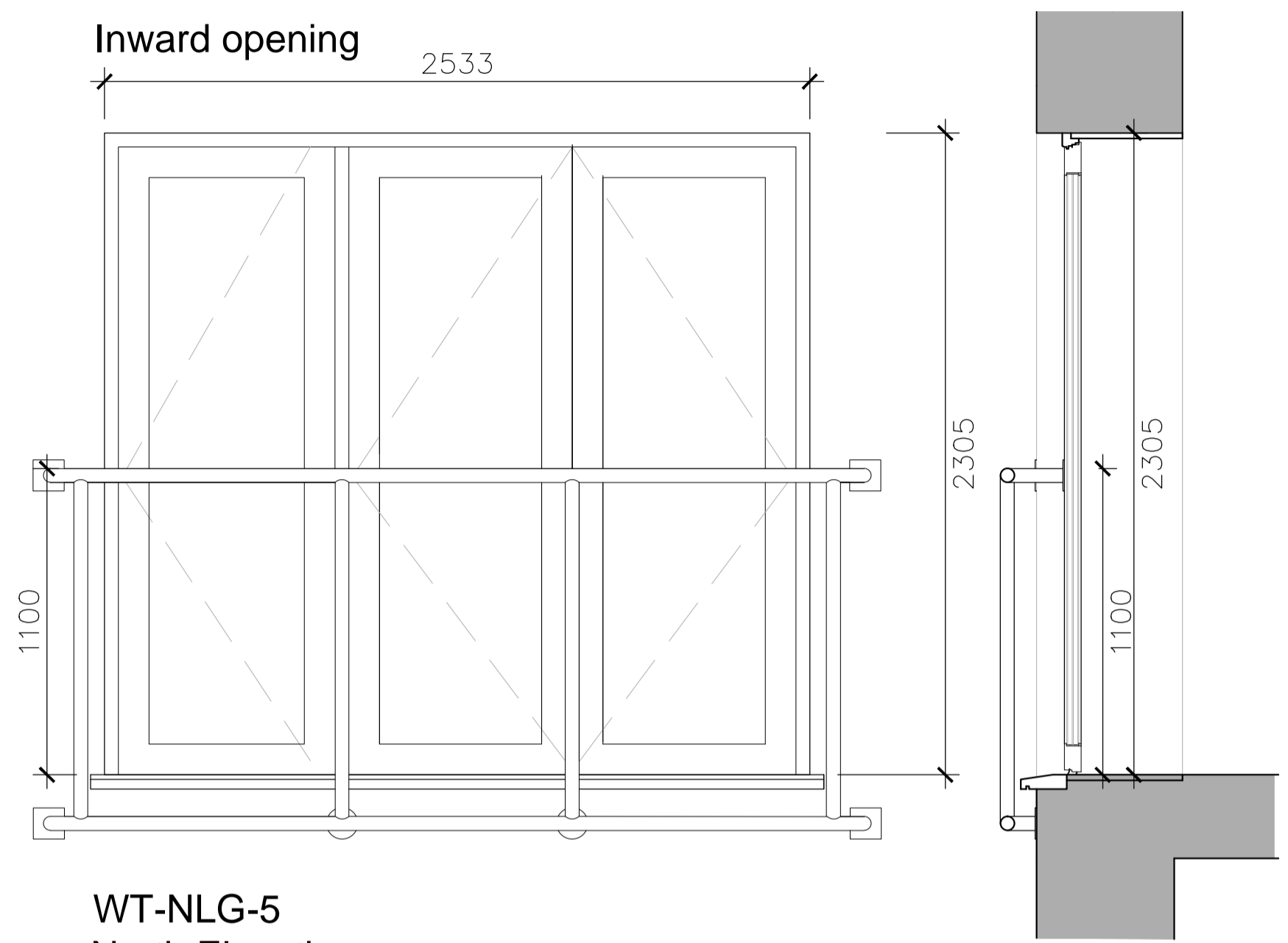


WT-NLG-4
 North Elevation
 Lower Ground Floor

- NEW WALL
 - NEW OPENING

- SEE DRAWING NO
 939 -303

31 Timber Frame casement juliet balcony doors and windows module bespoke arrangement- Triple Glazed

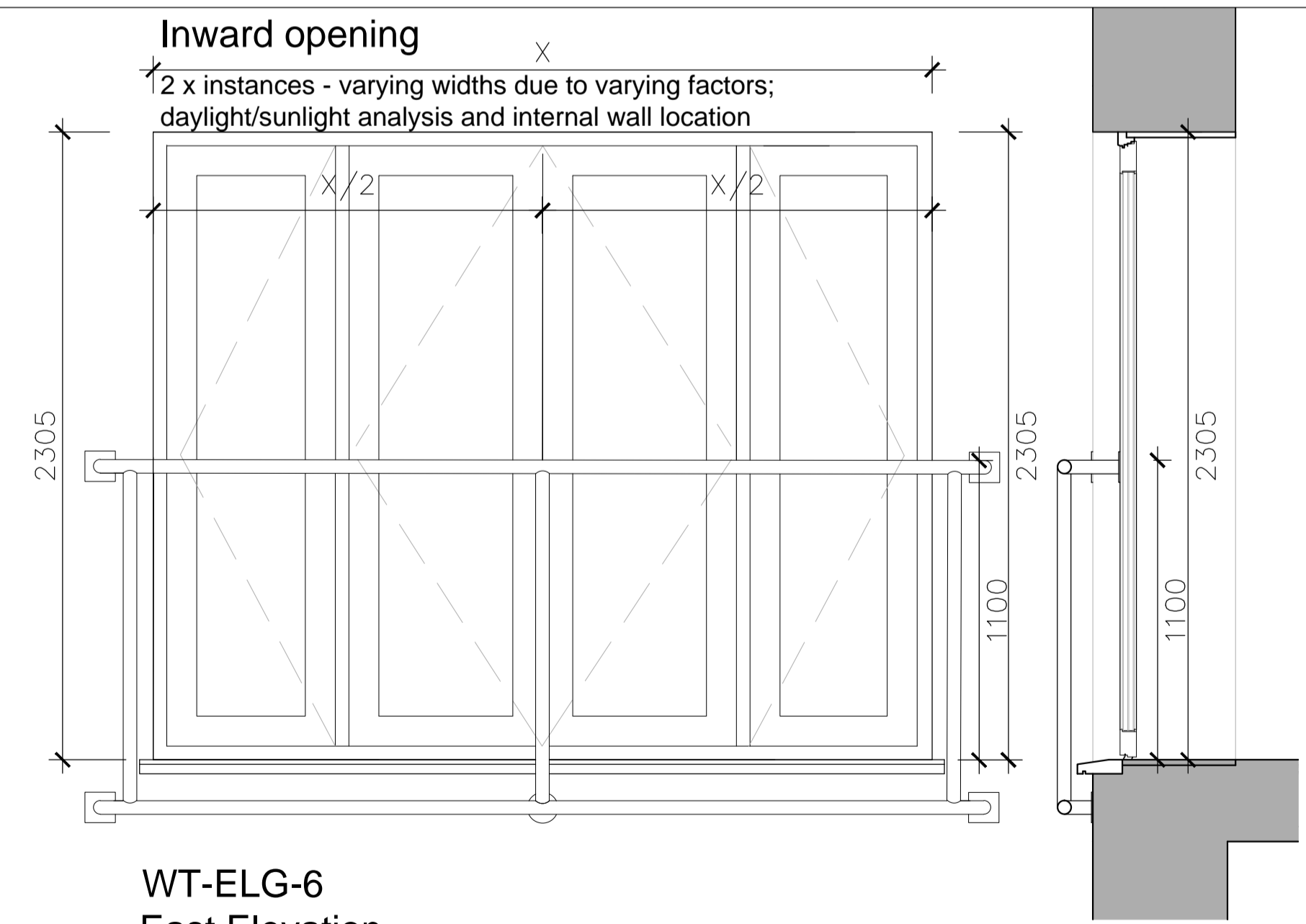


WT-NLG-5
 North Elevation
 Lower Ground Floor

- NEW WALL
 - NEW OPENING

- SEE DRAWING NO
 939 -303

32 Timber Frame casement juliet balcony doors and windows module bespoke arrangement- Triple Glazed

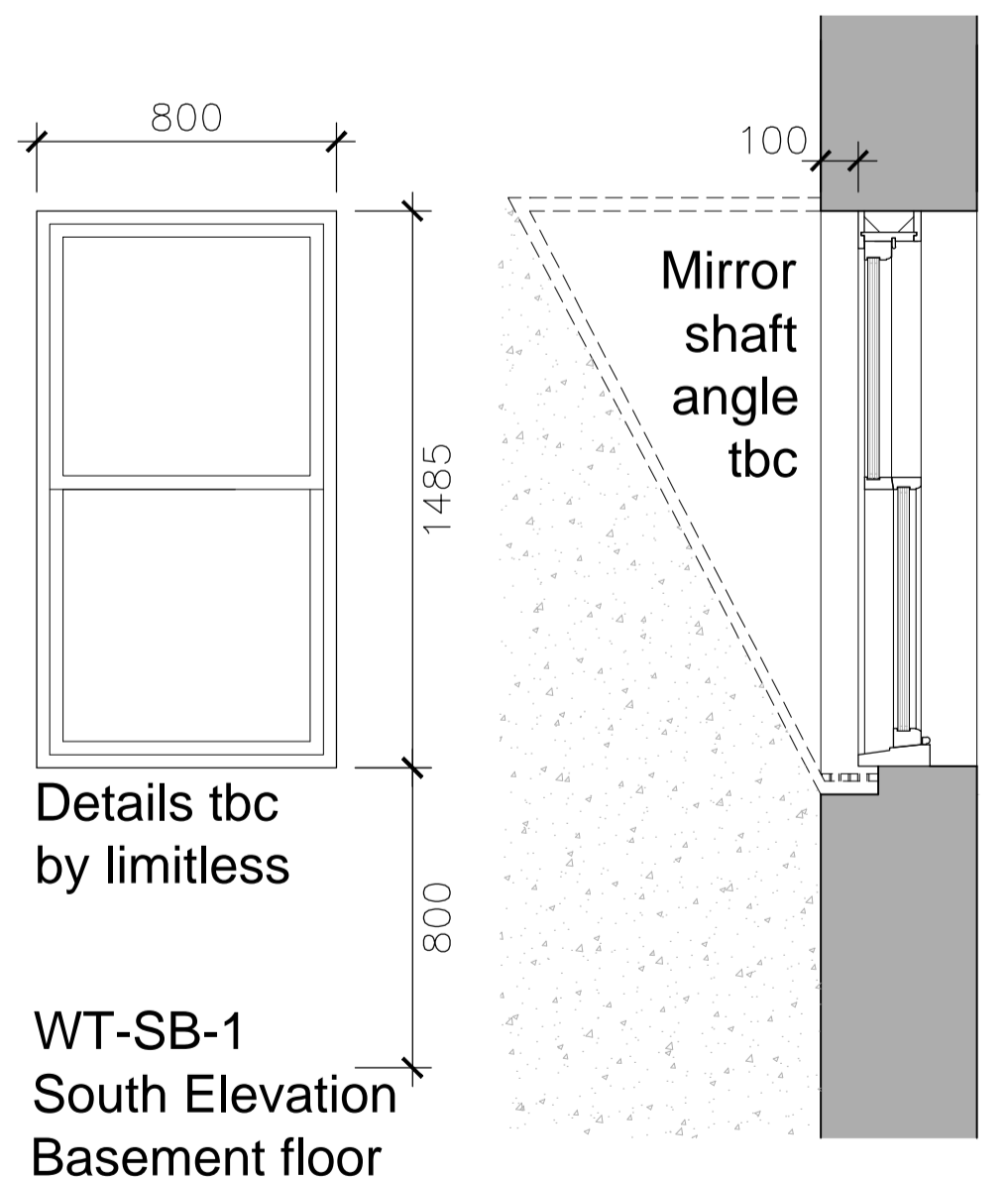


WT-ELG-6
 East Elevation
 Lower Ground Floor

- NEW WALL
 - NEW OPENING

- SEE DRAWING NO
 939 -302

33 Timber Frame Heritage style single hung non bar sash window - Triple Glazed

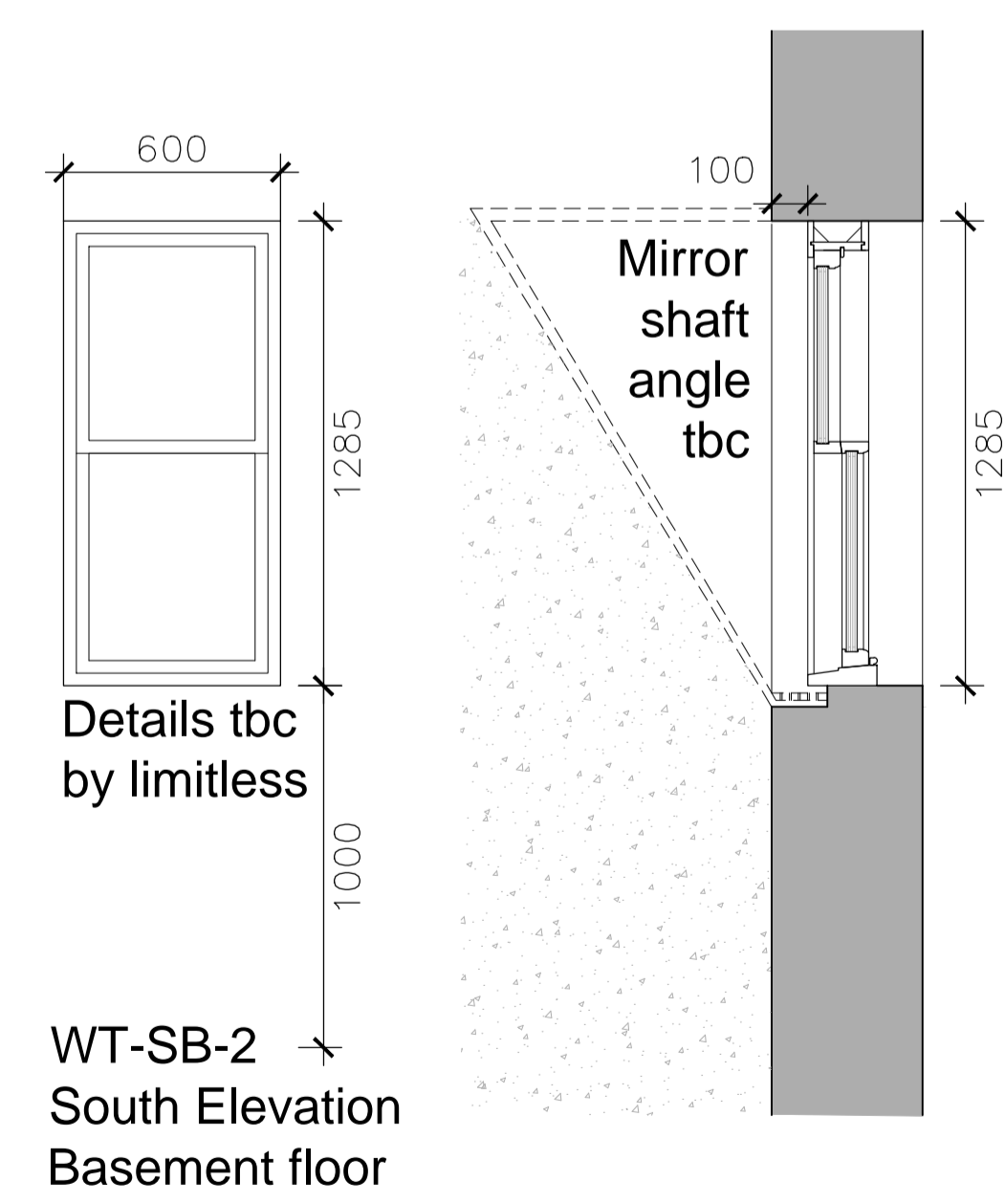


WT-SB-1
 South Elevation
 Basement floor

- NEW WALL
 - NEW OPENING

- SEE DRAWING NO
 939 -300

34 Timber Frame Heritage style single hung non bar sash window - Triple Glazed



WT-SB-2
 South Elevation
 Basement floor

- NEW WALL
 - NEW OPENING

- SEE DRAWING NO
 939 -300

BROOKS / MURRAY
 ARCHITECTS
 8-10 NEW NORTH PLACE
 LONDON EC2A 4JA
 TEL: 020 7739 9955
 FAX: 020 7739 9944
 architects@brooksmurray.com

CLIENT:
 Simon Firth

JOB:
 51 Calthorpe Street
 Camden
 London WC1X 0HH

DATE: Nov 2016 SCALE: 1:20@A1

DRAWING TITLE:
 Proposed Window Schedule
 Sheet 5 of 6

DRAWING NUMBER:
 939 - 505