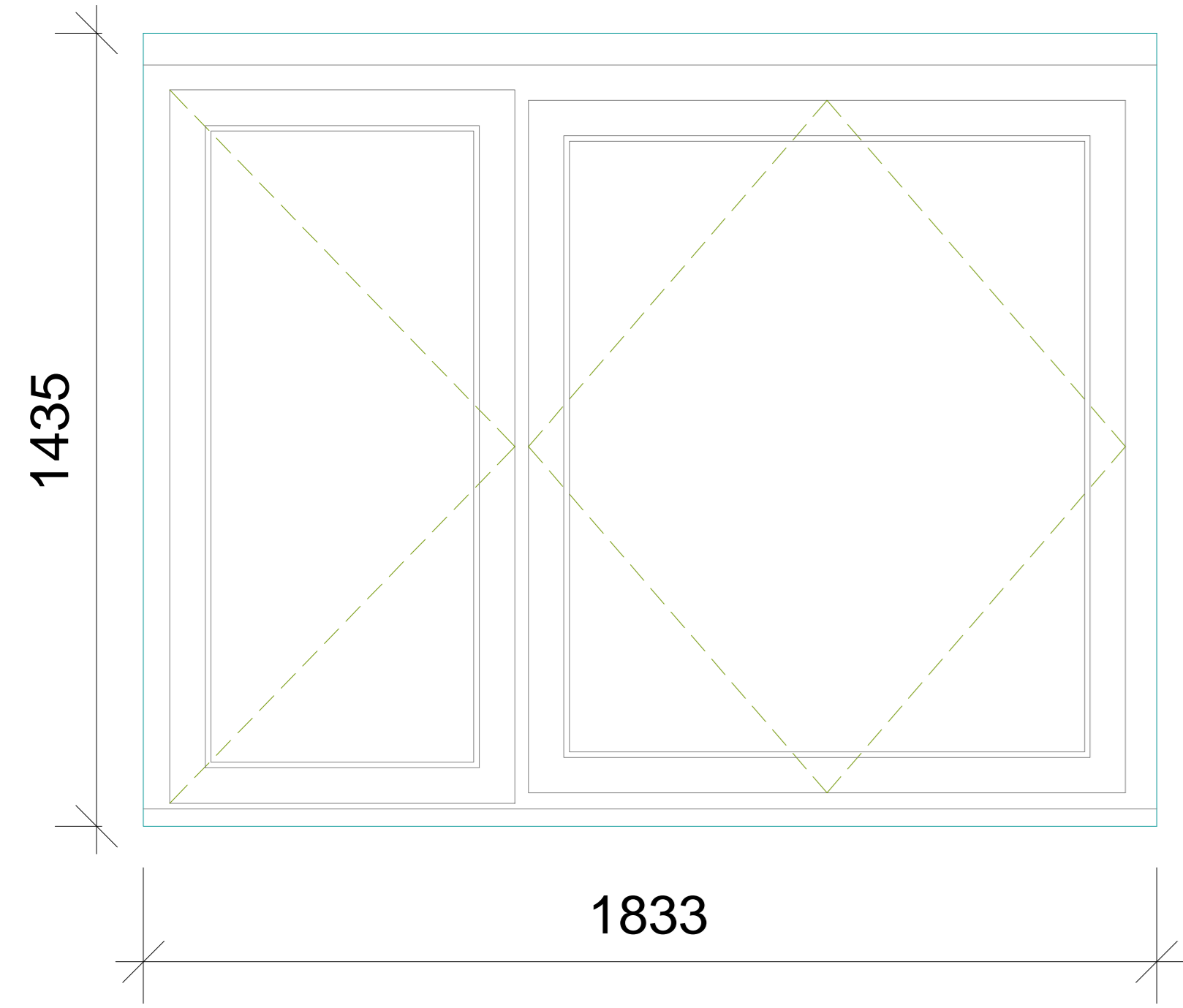
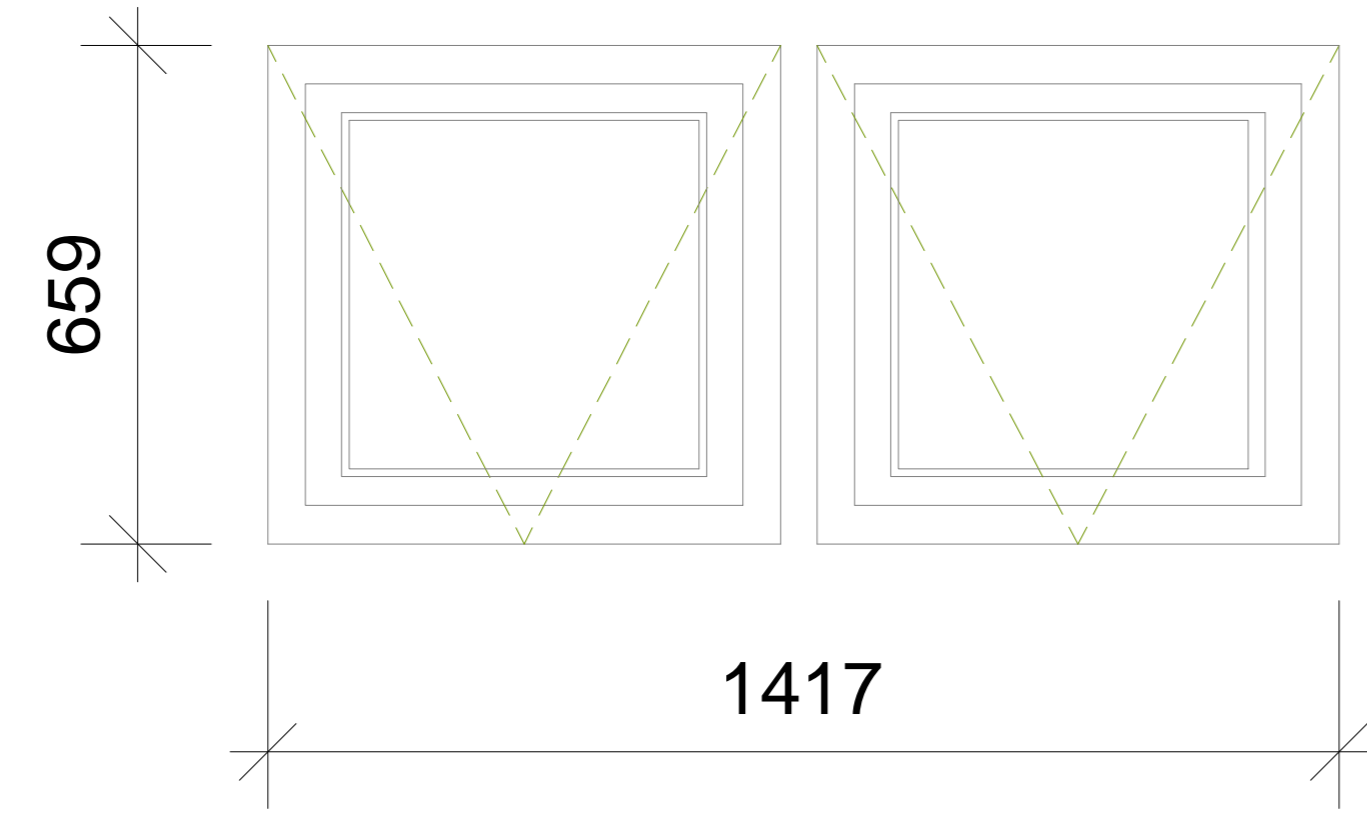


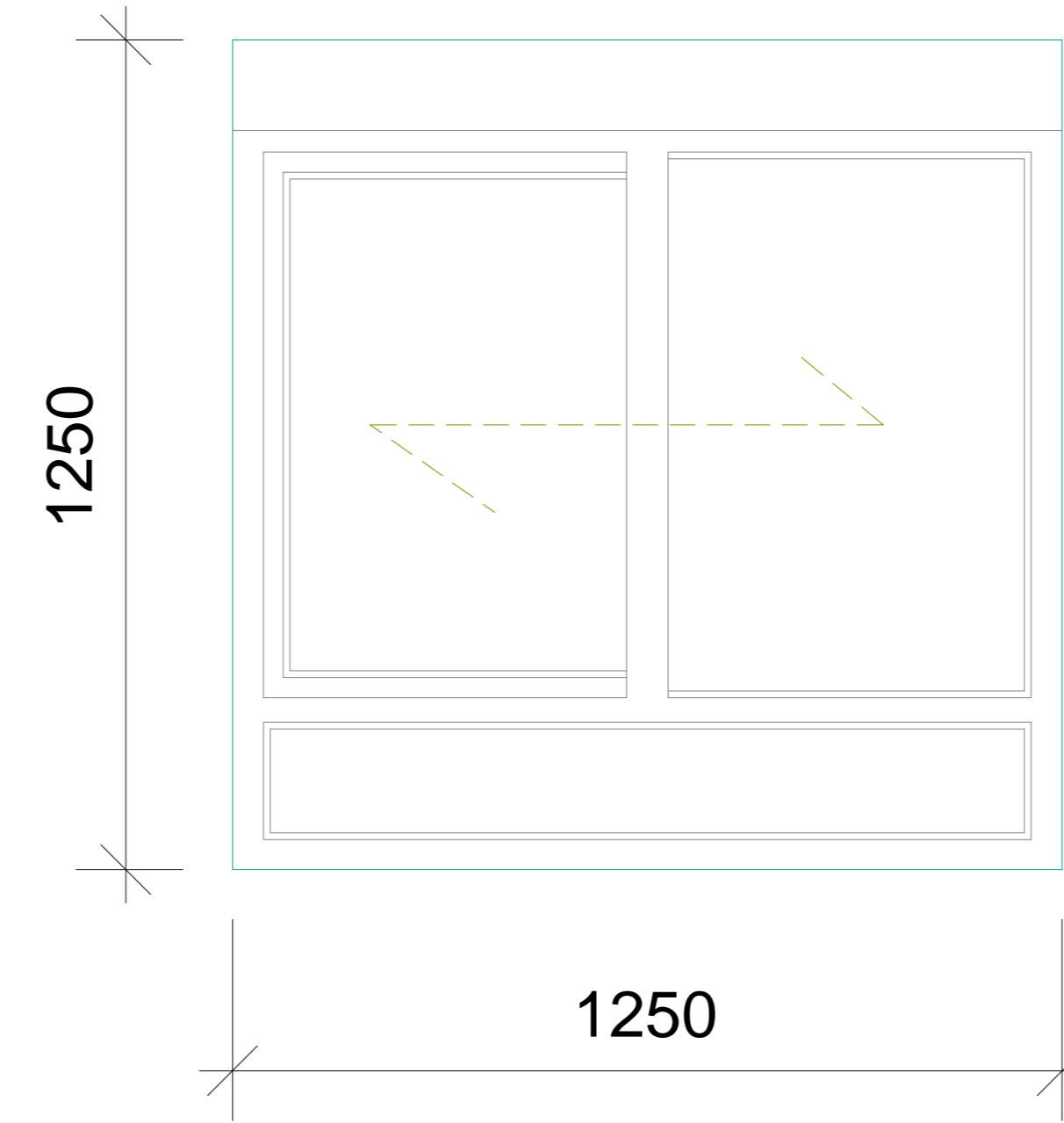
Type 1–Aluminium Casement



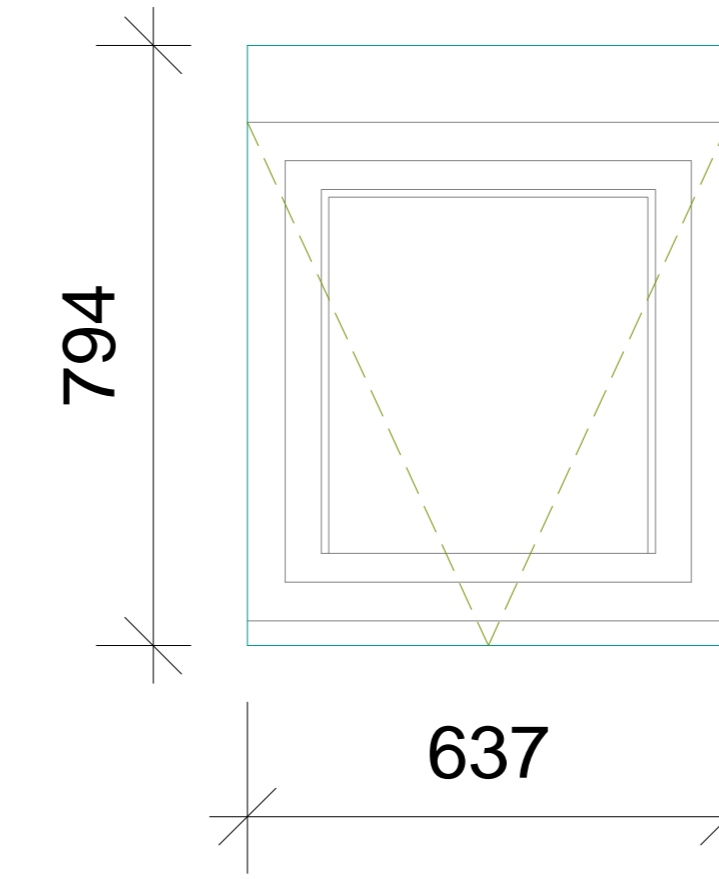
Type 2–Aluminium Casement (Bottom Hung)



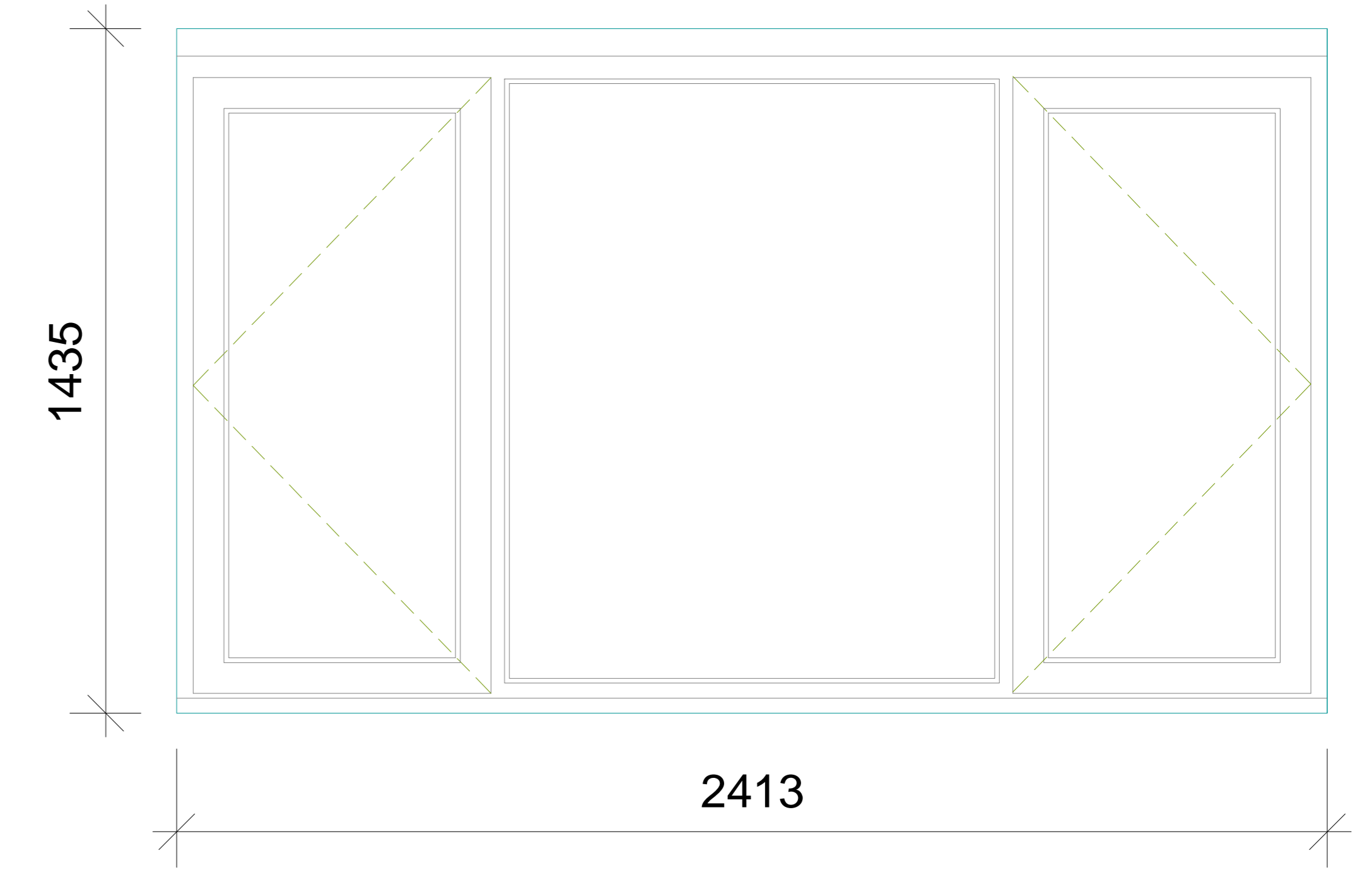
Type 3–Aluminium Casement



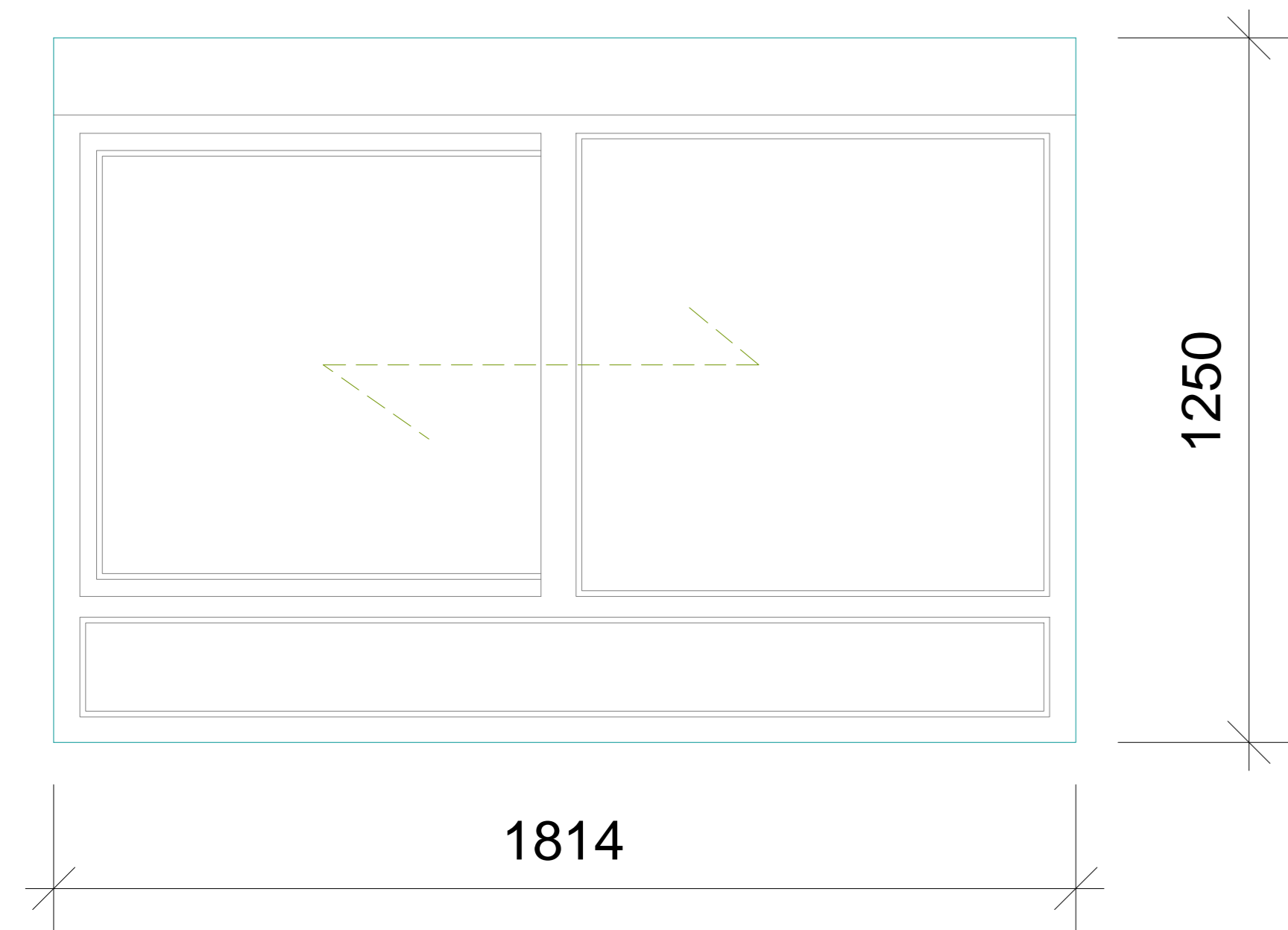
Type 4–Aluminium Casement (Bottom Hung)



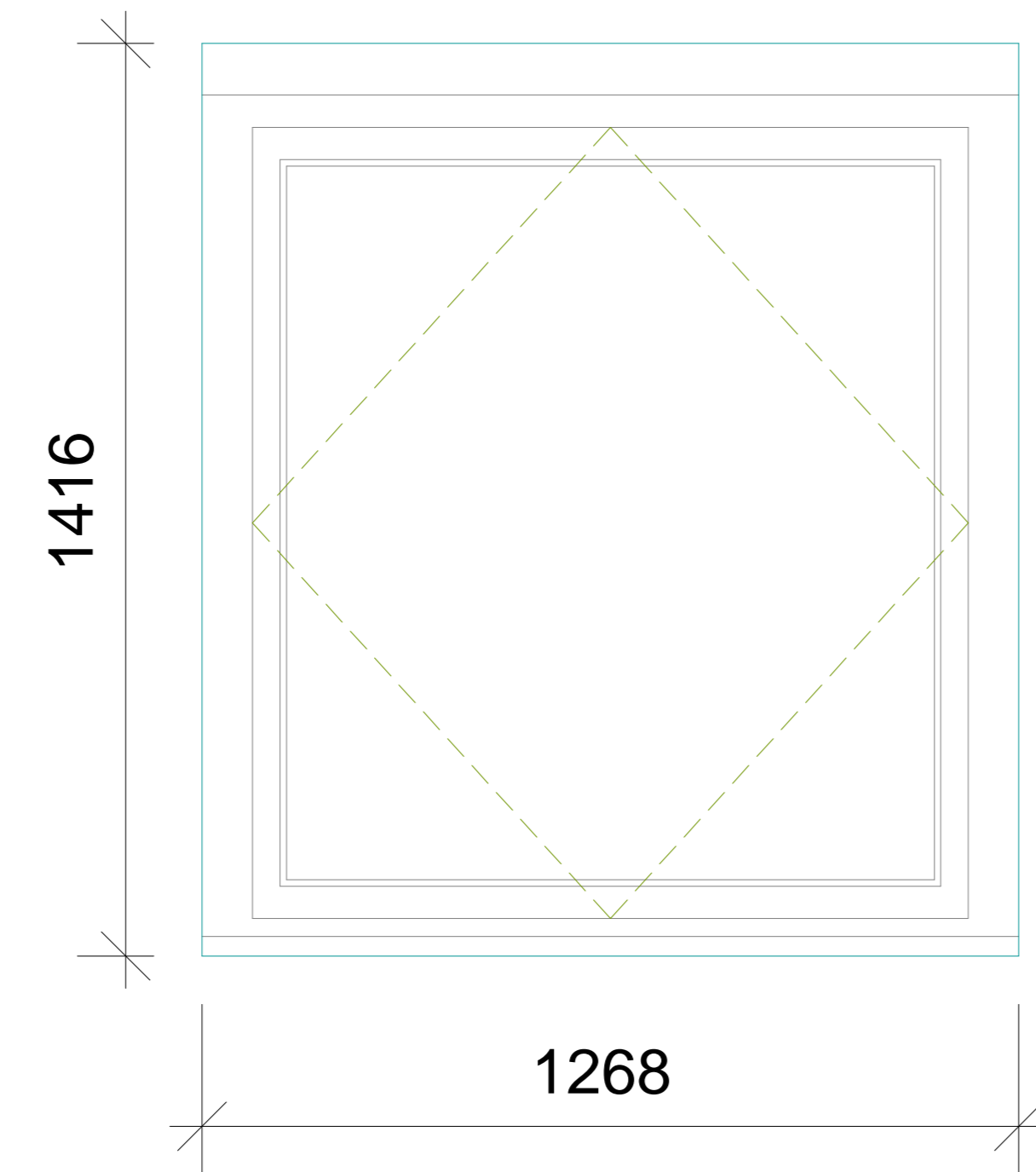
Type 5–Aluminium Casement



Type 6–Aluminium Casement



Type 7–Aluminium Casement



PROJECT: Camden Council
ADDRESS: Camden Housing London NW1 7EP
CLIENT: Boume Estate - Camden
TITLE: Proposed Gooch Window Schedule
REVISION OF ISSUE: Planning
SCALE: 1:10
DATE: 25/02/16
NO.: 26893
REVISION: P 42

BAILY - GARNER
 140-142 ELTHAM ROAD,
 LONDON SE8 5DY
 T: 020 8294 1900
 F: 020 8294 1901
 E: general@bailygarner.co.uk