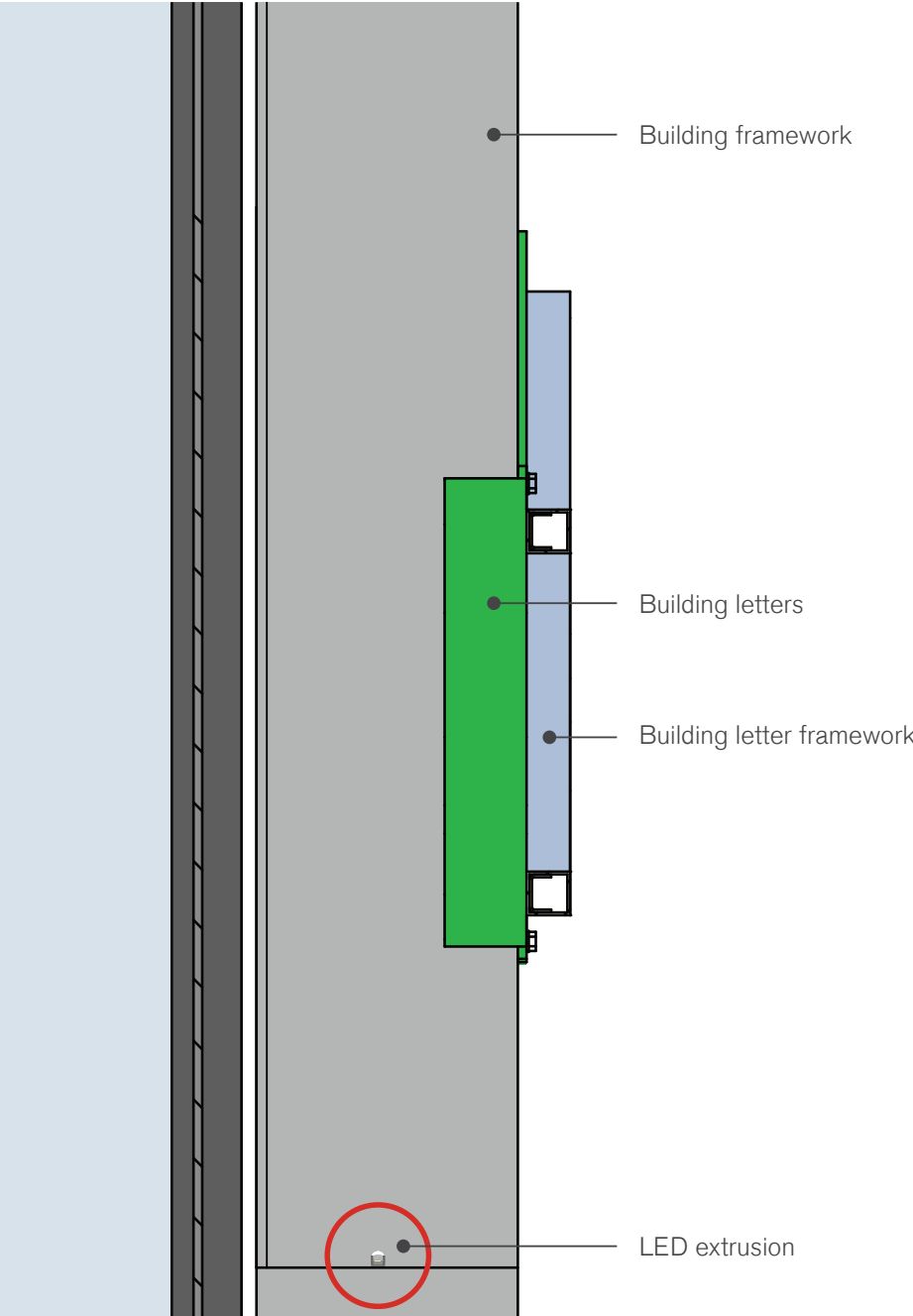
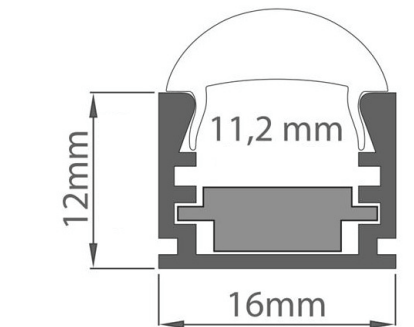


**b4** Sign ref.B4 (West elevation)



**b1** Sign ref.B1 (South elevation)



**LED extrusion**  
30 degree beam angle