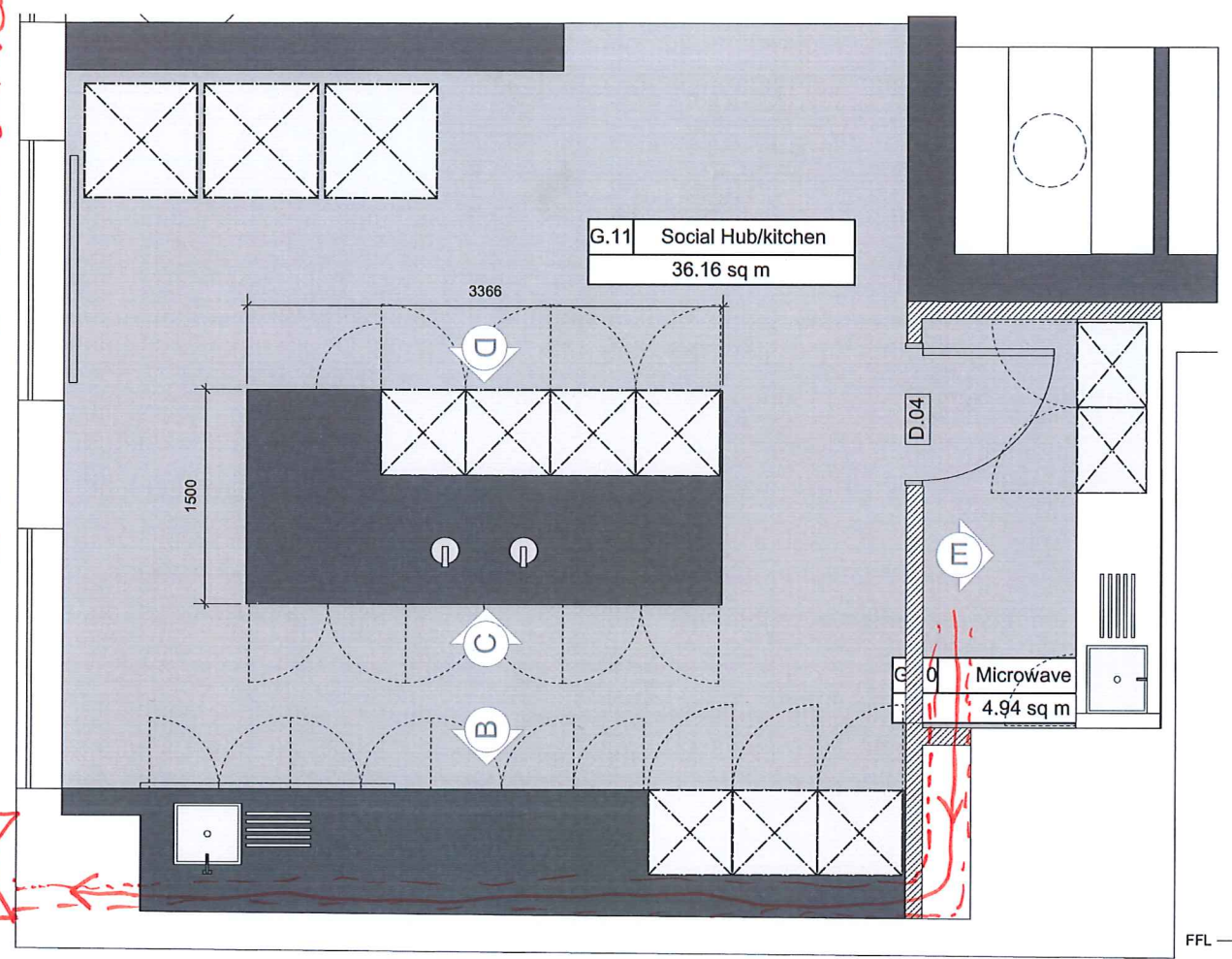


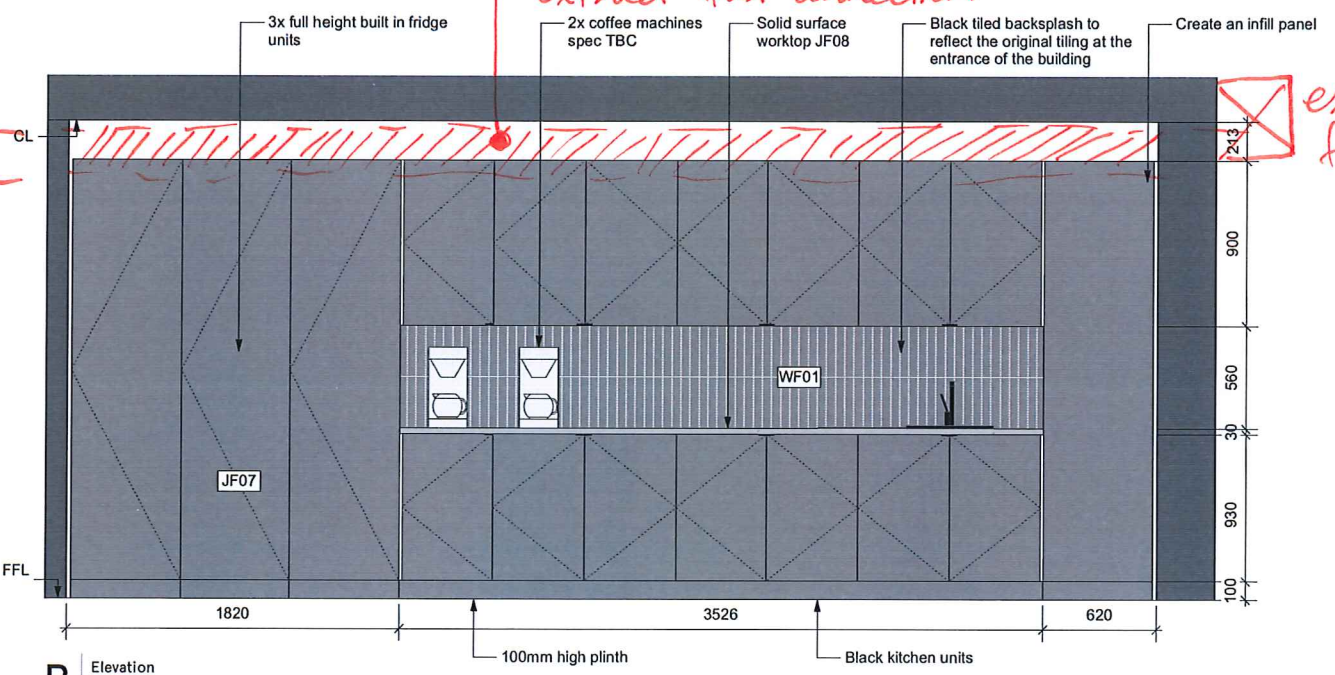


existing fan connection in lightwell.

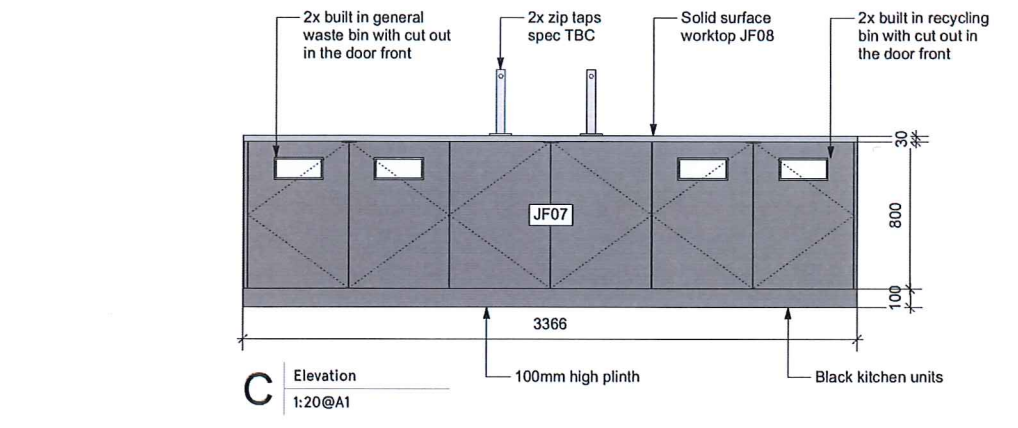


A G.10/G.11 Plan
1:25@A1

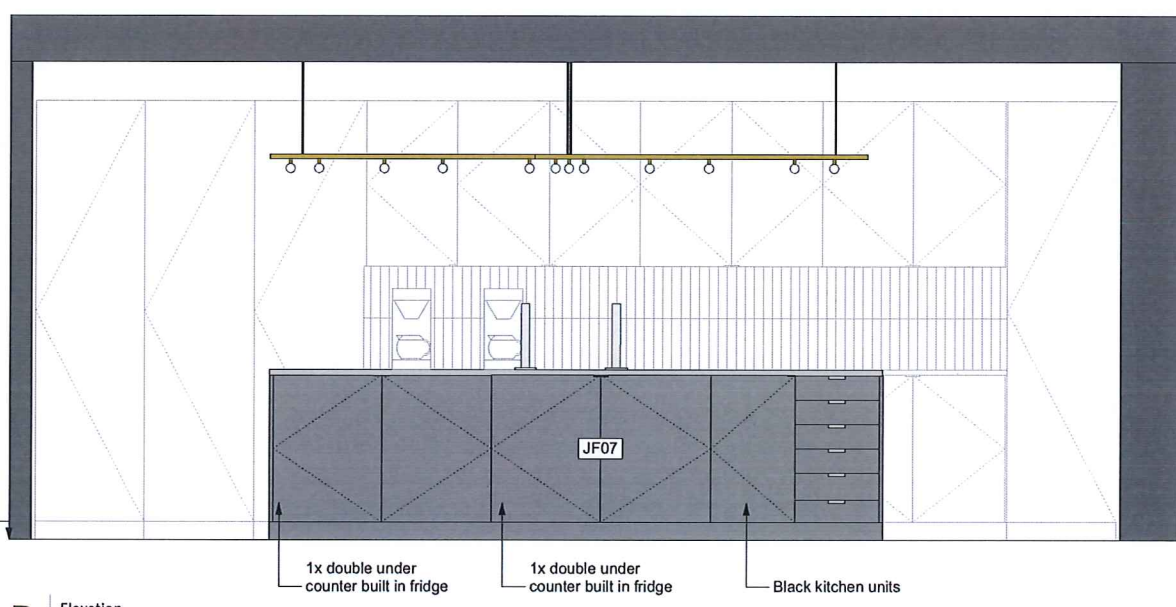
vent to run at high level behind joinery between microwave room + existing extract fan connection.



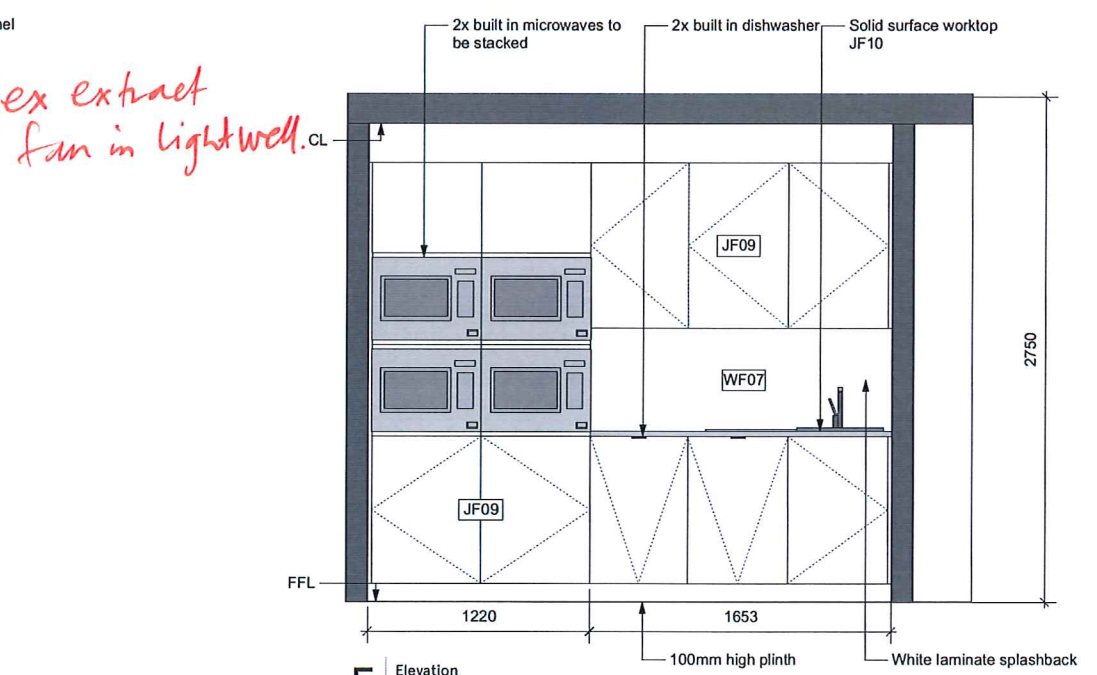
B Elevation
1:20@A1



C Elevation
1:20@A1



D Elevation
1:20@A1



E Elevation
1:20@A1

NOTE
This drawing is copyright. Do not scale off dimensions. All dimensions are to be checked on site by contractor. Contractor to report any dimensional discrepancies, errors or omissions prior to commencing on site.



→ extract fan markup
8a

I			
H			
G			
F			
E			
D			
C			
B			
A	29.09.16	Issue for tender	AB
REV	DATE	DETAILS	BY

CLIENT SIGNATURE			
CLIENT			
Bauer Media Group			
PROJECT			
Academic House Refurbishment			
DRAWING TITLE			
Social Hub Kitchen			
STATUS			
Tender			
DATE	SCALE		
29.09.16	1:20@A1		
JOB NO.	TYPE	DRAWING NO.	REVISION
1608	AA	208	A