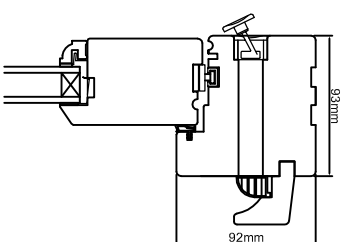


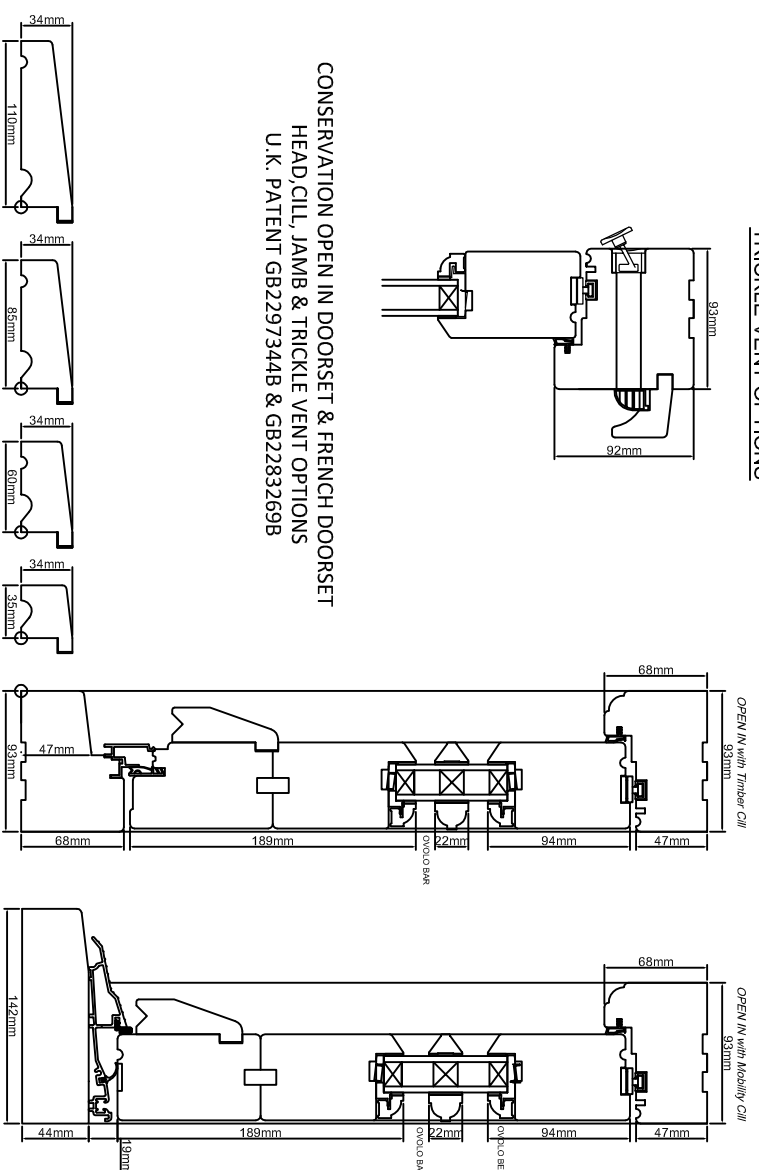
PROPOSED BALCONY DOOR ELEVATION

SCALE 1:10 @ A3

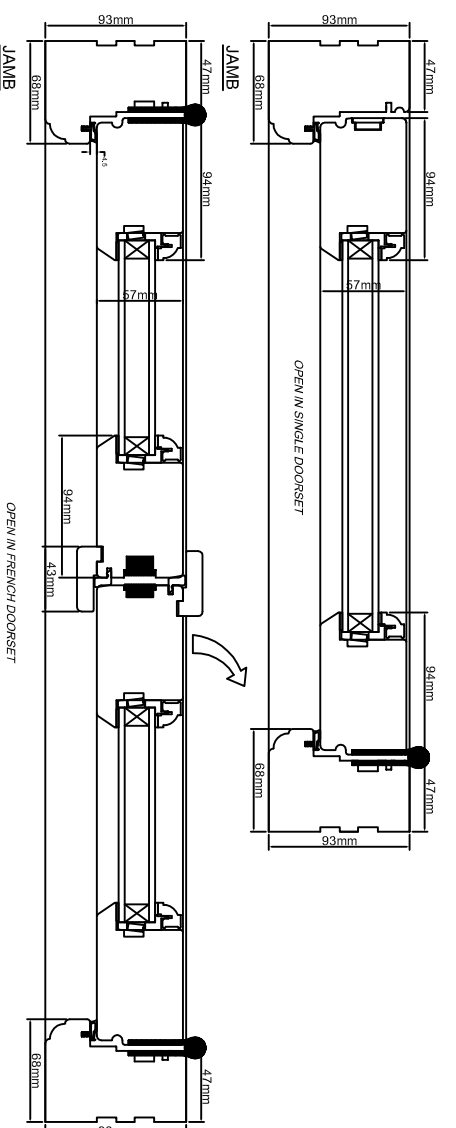
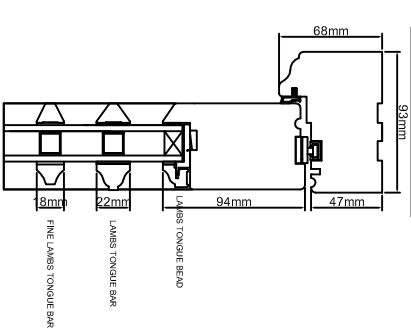
TRICKLE VENT OPTIONS



CONSERVATION OPEN IN DOORSET & FRENCH DOORSET
HEAD, CILL, JAMB & TRICKLE VENT OPTIONS
U.K. PATENT GB2297344B & GB2283269B

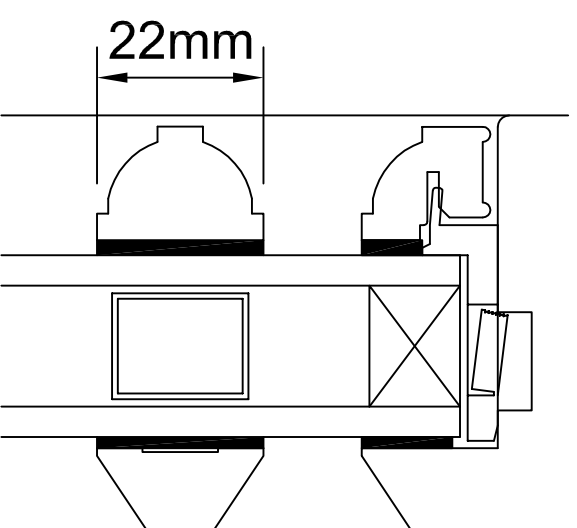


OPTIONAL DOOR LEAF PROFILES



PROPOSED BALCONY DOOR DETAILS

SCALE 1:5 @ A3



PROPOSED GLAZING BAR DETAIL

SCALE 1:1 @ A3

McGregor Associates
 Chartered Architects
 10 Remond Place,
 Maidstone Kent ME15 6LE
 Tel: 01622 769755
 Fax: 01622 768407
 email: info@mcgregor.co.uk



MGA McGregor Associates

REV	DATE	REVISION
A	Nov.16	Trickle vent confirmed

client		Haverstock Hill Ltd Wescott House 35 Portland Place, London. W1B 1AE	
project		New Residential Development 94 Haverstock Hill London NW3 2BD	
drawing			
PLANNING DRAWING			
Balcony Door Details			
date	scale	drawn	checked
Sept 2016	1:1.5, 1:10@A3	DM	DMG
job no	drawing no	rev	
2016_03	PL 52	A	