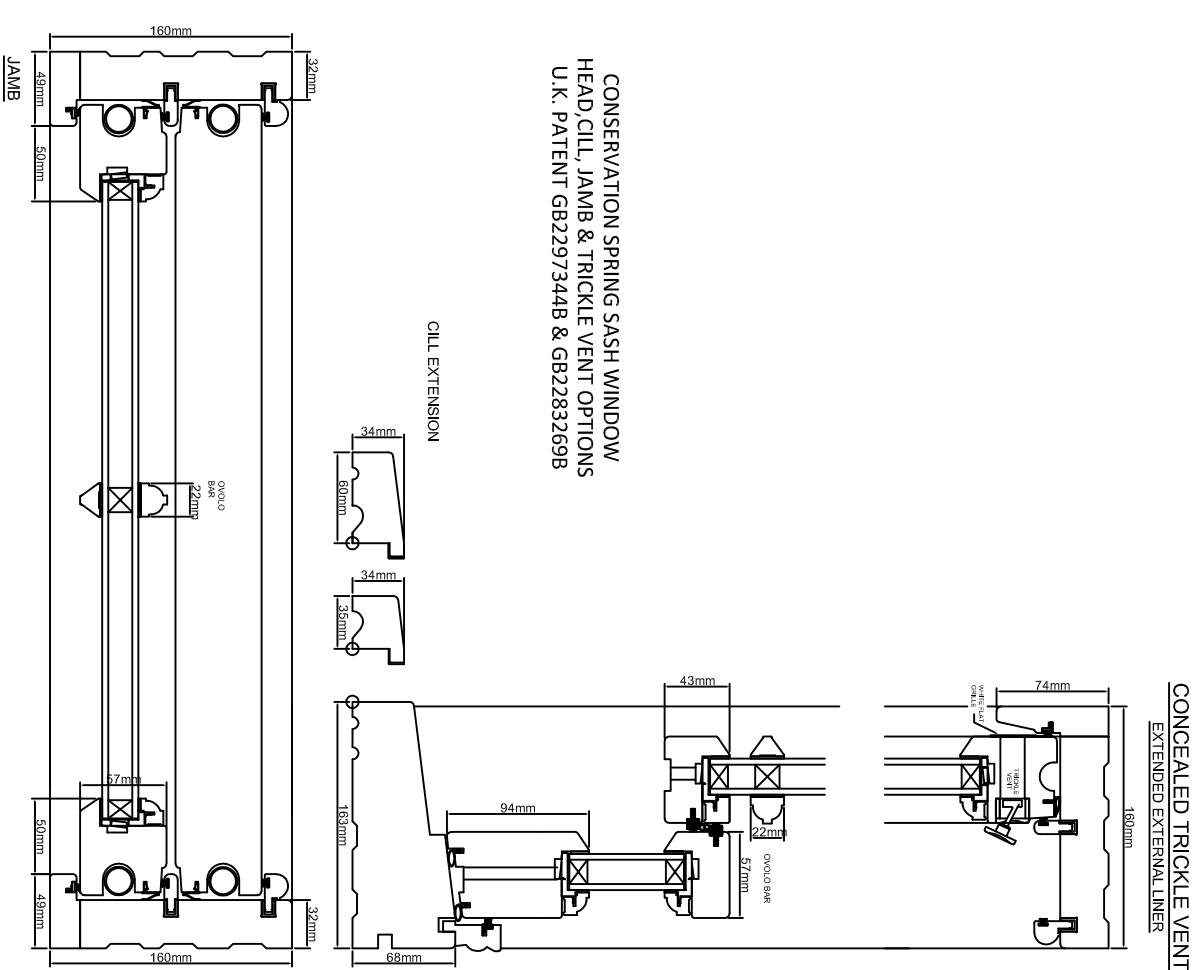
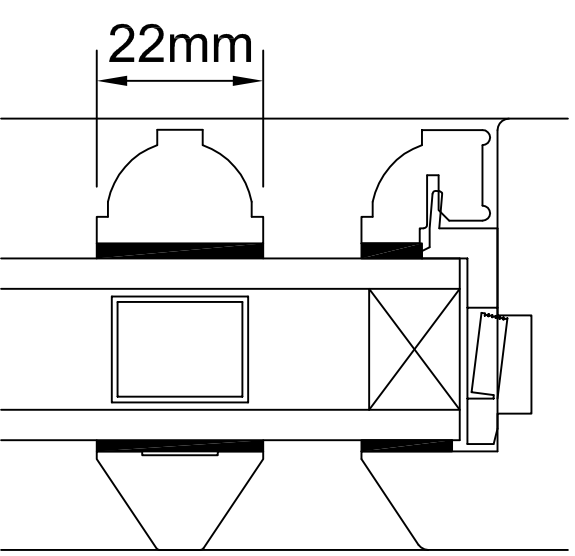


PROPOSED NEW WINDOW ELEVATION
 SCALE 1:10 @ A3



PROPOSED WINDOW DETAILS
 SCALE 1:5 @ A3



PROPOSED GLAZING BAR DETAIL
 SCALE 1:1 @ A3

MGA McGregor Associates

REV	DATE	REVISION
A	Nov.16	Trickle vent confirmed

client
 Haverstock Hill Ltd
 Wescott House
 35 Portland Place,
 London, W1B 1AE

project
 New Residential Development
 94 Haverstock Hill
 London
 NWS ZBD

drawing
 PLANNING DRAWING

Window Details	scale	drawn	checked
date	1:1, 5:10 @ A3	DM	DMG
job no	2016_03	drawing no	rev
		PL 51	A