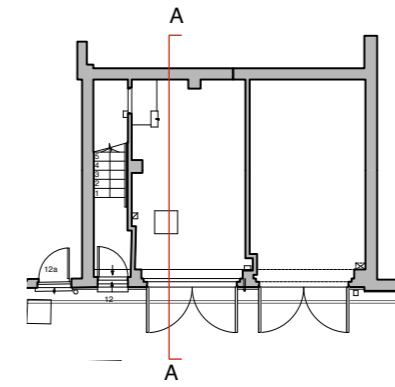


GENERAL NOTES:  
 DO NOT SCALE FROM THIS DRAWING.  
 ALL DIMENSIONS MUST BE CHECKED ON SITE AND ANY DISCREPANCIES VERIFIED WITH THE ARCHITECT.



KEY PLAN



Entrance into 12a Gower Mews    Residential access into 12 Gower Mews    Rear entrance of 23 Bedford Square

EXISTING ELEVATION



EXISTING SECTION AA

SCALE



CLIENT  
**THE BEDFORD ESTATES**

JOB TITLE  
**12 GOWER MEWS LONDON WC1E 6HP**

DRAWING TITLE  
**EXISTING ELEVATION & SECTION**

SCALE      DATE  
**1:100@A3    11.15**

**FT ARCHITECTS LTD**

Hamilton House  
 Mabledon Place  
 Bloomsbury  
 WC1H 9BB  
 020 7953 0388  
 www.ftarchitects.co.uk

DRAWING No.      REVISION  
**317\_00\_03**