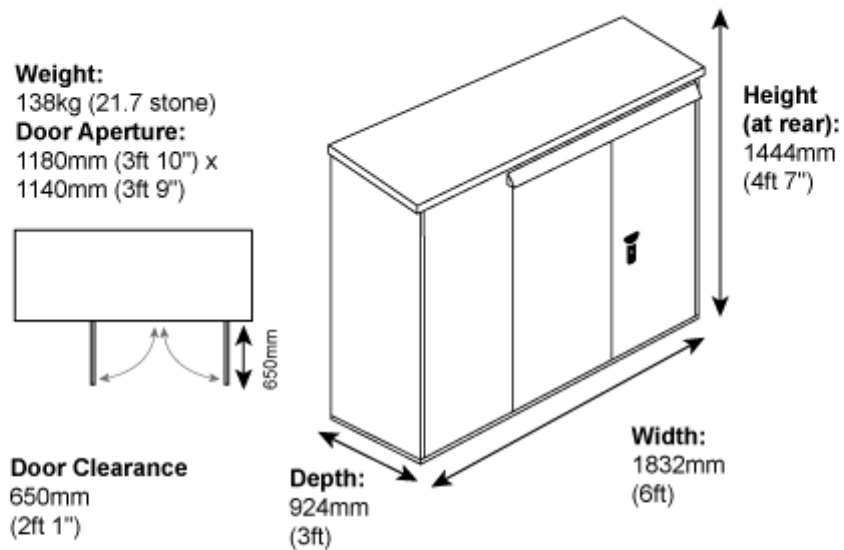


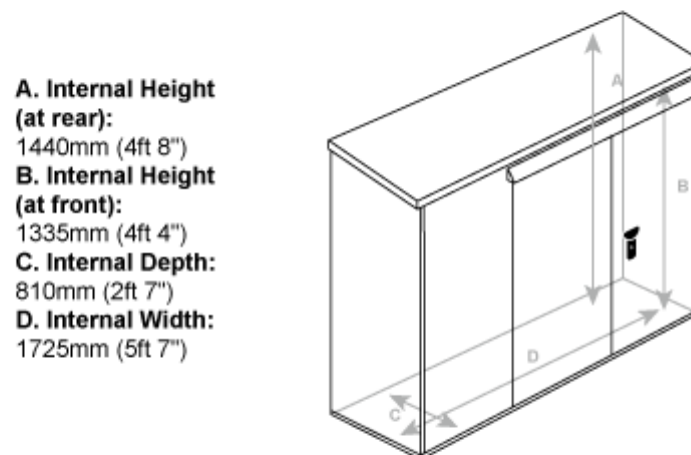


## Insurance Approved Bike Storage - Dimensions

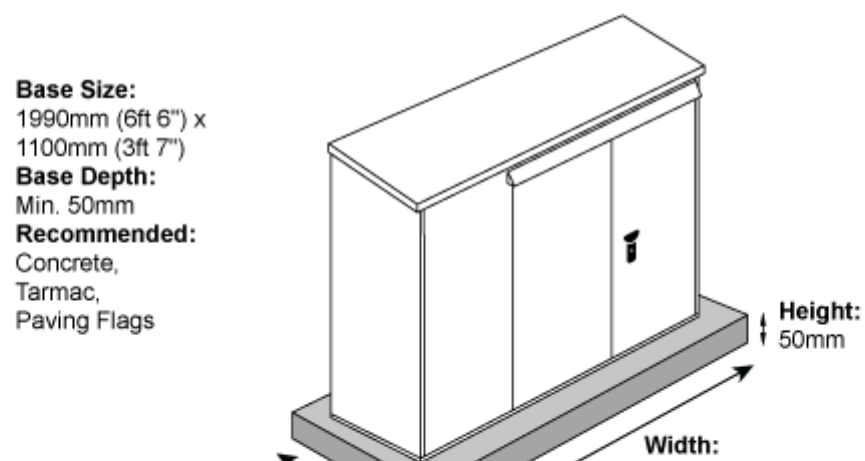
### EXTERNAL MEASUREMENTS

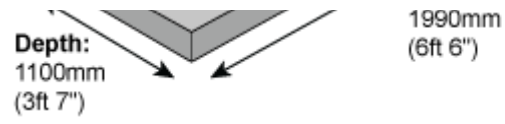


### INTERNAL MEASUREMENTS



### BASE SIZE





\*ALL MEASUREMENTS ARE APPROXIMATE