

GENERAL NOTES - IMPORTANT PLEASE READ

DO NOT SCALE DRAWINGS, USE FIGURED DIMENSIONS ONLY. ALL INFORMATION SUBJECT TO STATUTORY APPROVALS BEING OBTAINED

ALL DRAWINGS TO BE READ IN CONJUNCTION WITH THE SPECIFICATION. ANY DISCREPANCIES TO BE REPORTED IMMEDIATELY TO THE ARCHITECT.

INFORMATION NOT TO BE USED OTHER THAN AS DEFINED BY THE DRAWING STATUS

ALL DIMENSIONS TO BE CHECKED ON SITE DISCREPANCIES TO BE REPORTED IMMEDIATELY TO THE ARCHITECT

ALL DRAWINGS TO BE READ IN CONJUNCTION WITH THE STRUCTURAL ENGINEERS DRAWINGS. ANY DISCREPANCIES TO BE REPORTED IMMEDIATELY TO THE ARCHITECT.

FOR STRUCTURAL DIMENSIONS AND SETTING OUT SEE STRUCTURAL ENGINEERS DRAWINGS

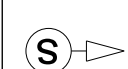
SPECIFIC NOTES:-

C	22.01.09	Issued For Construction	JJL	JJL	JJL
B	03.11.08	Issued For Tender	SS	JJL	JJL
A	14.08.08	Issued For Information	SS	JJL	JJL
-	11.08.08	Issued For Information	SS	JJL	JJL
Rev	Date	Description	By	Chk	App



12 GREAT CASTLE STREET, LONDON, W1W 8LR  
 Tel. 020 7580 8813 Fax. 020 7637 3328  
 email info@jja.com web www.jja.com  
 J-J Lorraine Associates Ltd Registered in England No: 05605744

Key

 SETTING OUT POINT AND DIRECTION

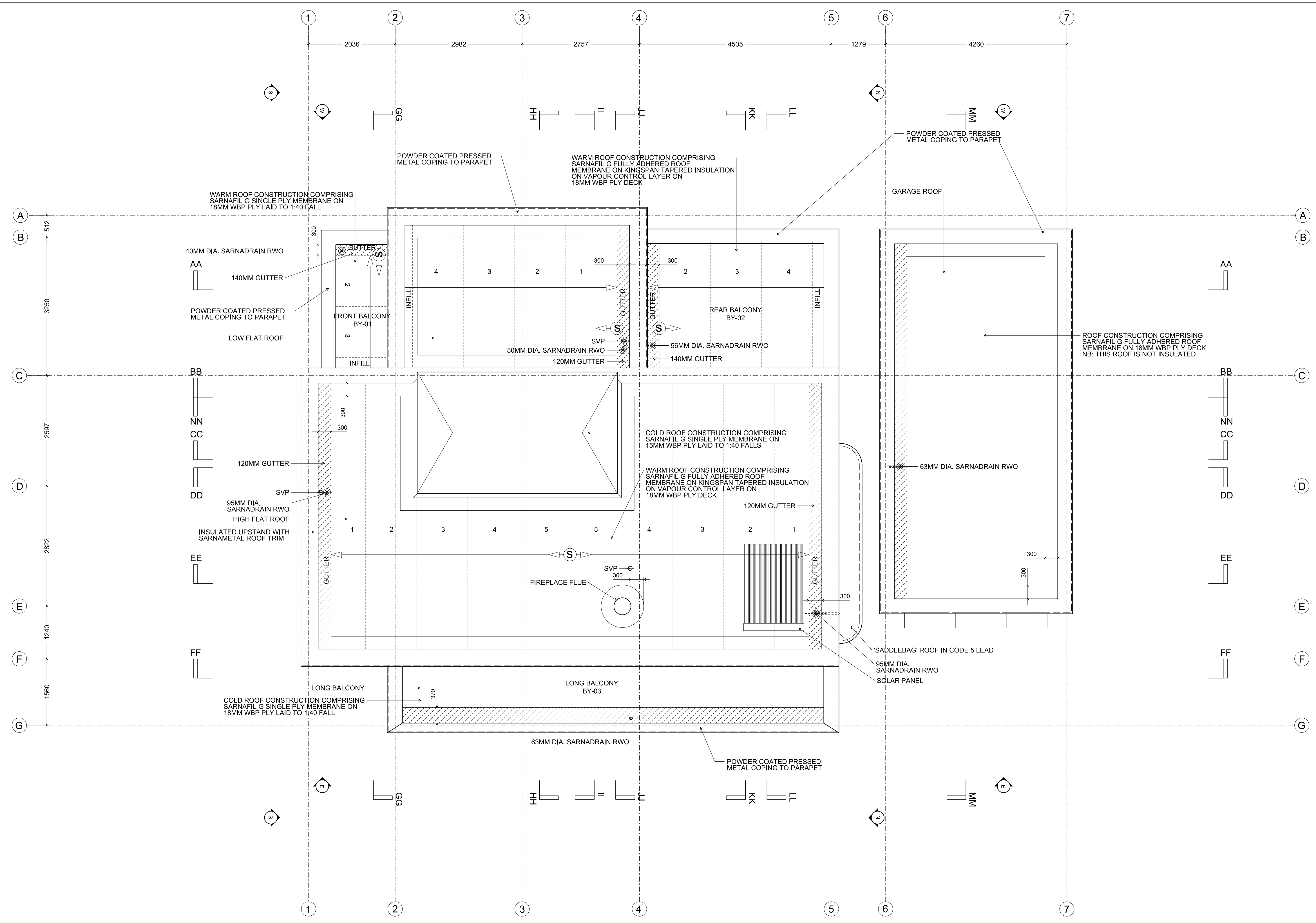
Client  
 Mr. and Mrs J-J. Lorraine  
 12 Great Castle Street  
 London  
 W1W 8LR

Project  
 The Heath House, Lissenden Gardens  
 London, NW5 1ND

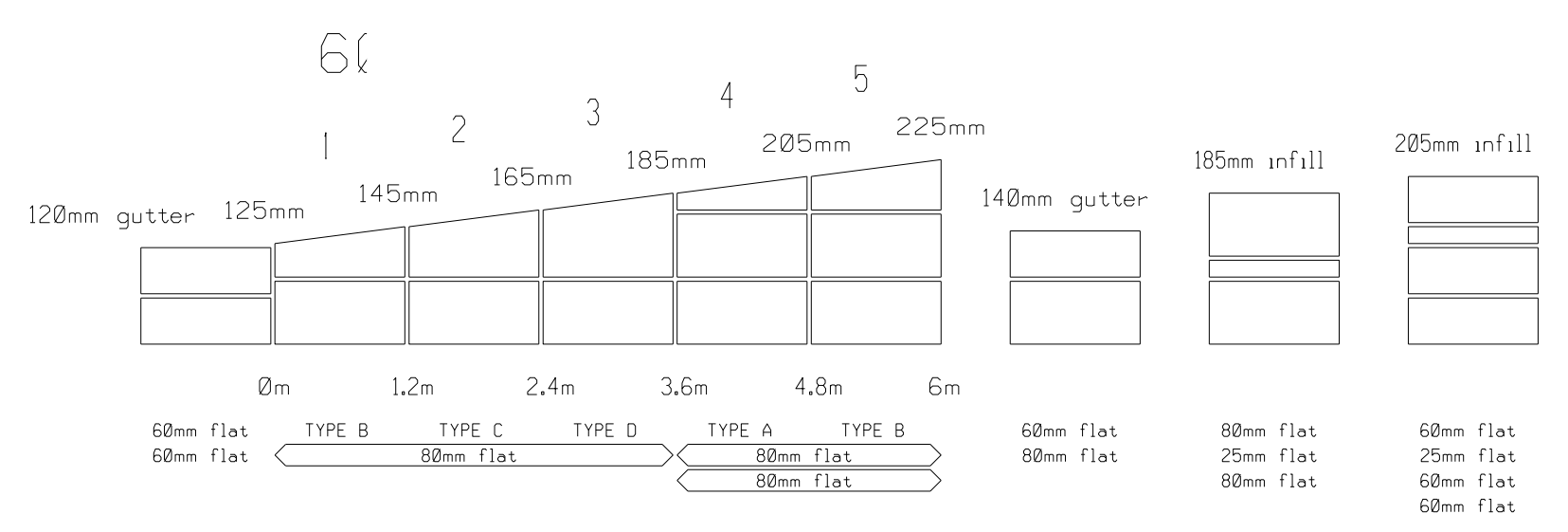
Title  
 General Arrangement Plans  
 Roof Plan

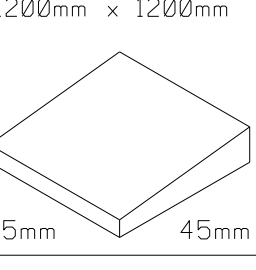
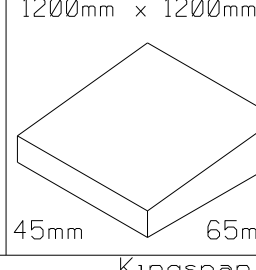
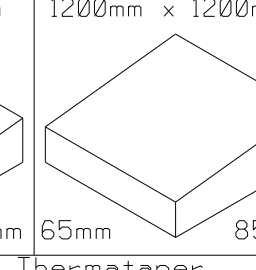
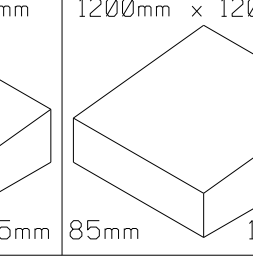
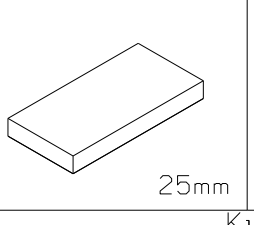
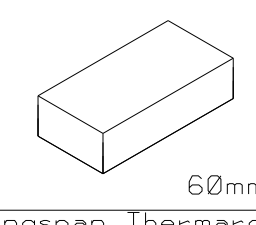
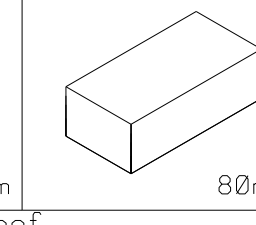
JobNo. 0510 Scale 1:50 @ A1 Date 14.10.08  
 Issue Status FOR CONSTRUCTION

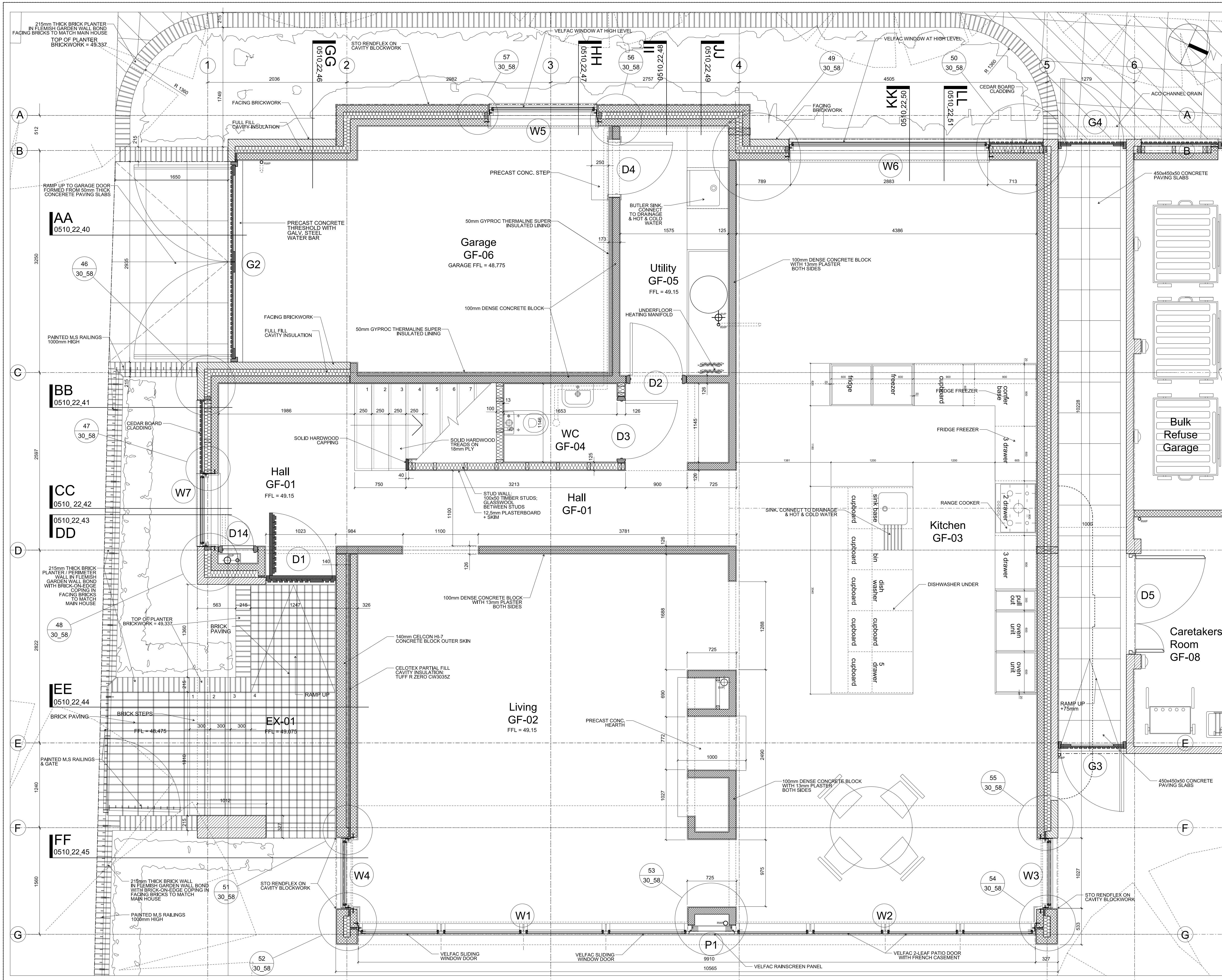
ProjectNo.	Drawing No	Rev
0510	0510_20_23	C



- Contractor to be responsible for checking these details against architects drawings / site requirements and to advise Kingspan Insulation immediately of any discrepancies.
- This drawing includes sufficient material including any wastage to complete this contract. Any additional material requested, over and above the quantities shown, will be charged at the going rate + VAT at time of delivery, and may also be subject to additional transport charges.
- A flat and level roof deck without substantial depression is assumed. Levelling compounds should be used to bring any substantial depressions which affect the laying of the scheme, up to level
- A suitable sized timber (or similar) edge support to be provided by the contractor should be fixed to all exposed edges of the Kingspan Thermataper board Layout.
- Setting out from edges indicated.
- Infills and gutters are cut from whole boards on site by contractor.
- Ponding will occur within areas of flat gutters.



TAPERED BOARDS				FLAT BOARDS		
TYPE A	TYPE B	TYPE C	TYPE D	25mm flat board	60mm flat board	80mm flat board
1200mm x 1200mm	1200mm x 1200mm	1200mm x 1200mm	1200mm x 1200mm	1200mm x 600mm	1200mm x 600mm	1200mm x 600mm
						
25mm	45mm	45mm	65mm	25mm	60mm	80mm
Kingspan Thermataper TT47				Kingspan Thermaflat TR27		



**GENERAL NOTES - IMPORTANT PLEASE READ**

DO NOT SCALE DRAWINGS, USE FIGURED DIMENSIONS ONLY. ALL INFORMATION SUBJECT TO STATUTORY APPROVALS BEING OBTAINED

ALL DRAWINGS TO BE READ IN CONJUNCTION WITH THE SPECIFICATION. ANY DISCREPANCIES TO BE REPORTED IMMEDIATELY TO THE ARCHITECT.

INFORMATION NOT TO BE USED OTHER THAN AS DEFINED BY THE DRAWING STATUS

ALL DIMENSIONS TO BE CHECKED ON SITE DISCREPANCIES TO BE REPORTED IMMEDIATELY TO THE ARCHITECT

ALL DRAWINGS TO BE READ IN CONJUNCTION WITH THE STRUCTURAL ENGINEERS DRAWINGS. ANY DISCREPANCIES TO BE REPORTED IMMEDIATELY TO THE ARCHITECT.

FOR STRUCTURAL DIMENSIONS AND SETTING OUT SEE STRUCTURAL ENGINEERS DRAWINGS

**SPECIFIC NOTES:-**

Rev	Date	Description	By	Chk	App
B	22.01.09	Issued For Construction	JUL	JUL	JUL
A	03.11.08	Issue For Tender	JJ	JM	JJ
-	14.10.08	Issue For Information	JJ	JM	JJ

**JJA**

12 GREAT CASTLE STREET, LONDON, W1W 8LR

Tel. 020 7580 8813 Fax. 020 7637 3328  
email info@jja.com web www.jja.com

J-J Lorraine Associates Ltd Registered in England No: 05605744

**Key**

Client

Mr. and Mrs. J-J. Lorraine  
12 Great Castle Street  
London  
W1W 8LR

Project

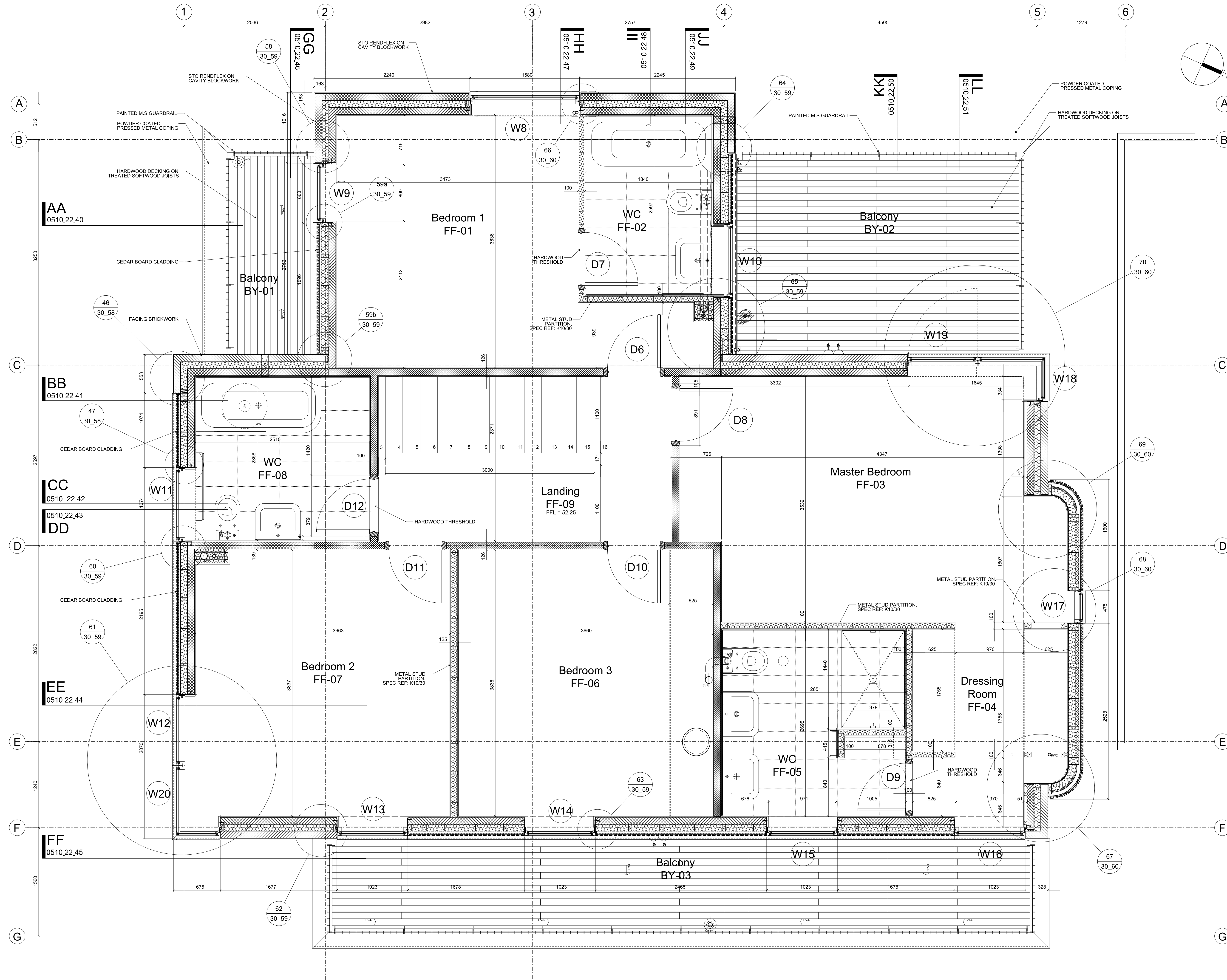
The Heath House, Lissenden Gardens  
London, NW5 1ND

Title

General Arrangement Plans  
Ground Floor

JobNo. 0510	Scale 1:25@ A1	Date 14.10.08
Issue Status FOR CONSTRUCTION	ProjectNo. 0510	Drawing No 0510_25
		Rev B





**GENERAL NOTES - IMPORTANT PLEASE READ**

DO NOT SCALE DRAWINGS, USE FIGURED DIMENSIONS ONLY. ALL INFORMATION SUBJECT TO STATUTORY APPROVALS BEING OBTAINED

ALL DRAWINGS TO BE READ IN CONJUNCTION WITH THE SPECIFICATION. ANY DISCREPANCIES TO BE REPORTED IMMEDIATELY TO THE ARCHITECT.

INFORMATION NOT TO BE USED OTHER THAN AS DEFINED BY THE DRAWING STATUS

ALL DIMENSIONS TO BE CHECKED ON SITE DISCREPANCIES TO BE REPORTED IMMEDIATELY TO THE ARCHITECT

ALL DRAWINGS TO BE READ IN CONJUNCTION WITH THE STRUCTURAL ENGINEERS DRAWINGS. ANY DISCREPANCIES TO BE REPORTED IMMEDIATELY TO THE ARCHITECT.

FOR STRUCTURAL DIMENSIONS AND SETTING OUT SEE STRUCTURAL ENGINEERS DRAWINGS

**SPECIFIC NOTES:-**

Rev	Date	Description	By	Chk	App
B	22.01.09	Issued For Construction	JJL	JJL	JJL
A	03.11.08	Issued for Tender	SS	JM	JJ
-	14.10.08	Issued for Information	SS	JM	JJ



12 GREAT CASTLE STREET, LONDON, W1W 8LR

Tel. 020 7580 8813 Fax. 020 7637 3328  
email info@jja.com web www.jja.com

J-J Lorraine Associates Ltd Registered in England No: 05605744

**Key**

**Client**

Mr. and Mrs. J-J Lorraine  
12 Great Castle Street  
London  
W1W 8LR

**Project**

The Heath House, Lissenden Gardens  
London, NW5 1ND

**Title**

General Arrangement Plans  
First Floor

JobNo. 0510	Scale 1:25@A1; 1:50@A3	Date 14.10.08
Issue Status <b>FOR CONSTRUCTION</b>		

ProjectNo. 0510	Drawing No. 0510_20_26	Rev B
--------------------	---------------------------	----------