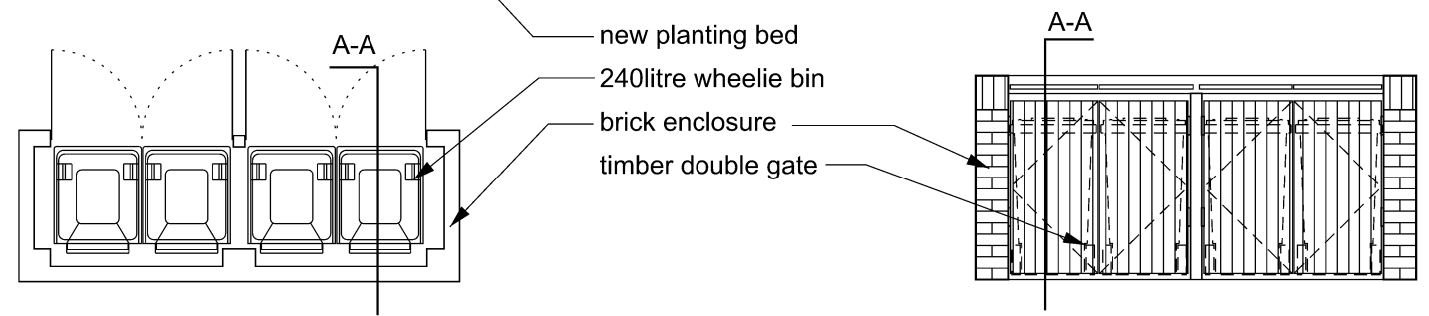
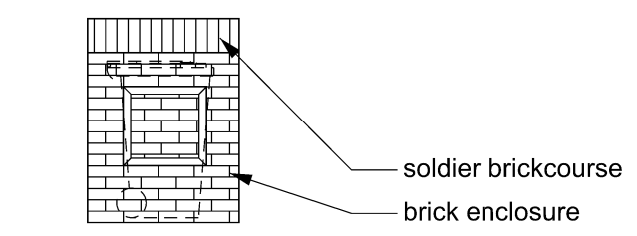


PLAN VIEW - 4 BINS ENCLOSURE

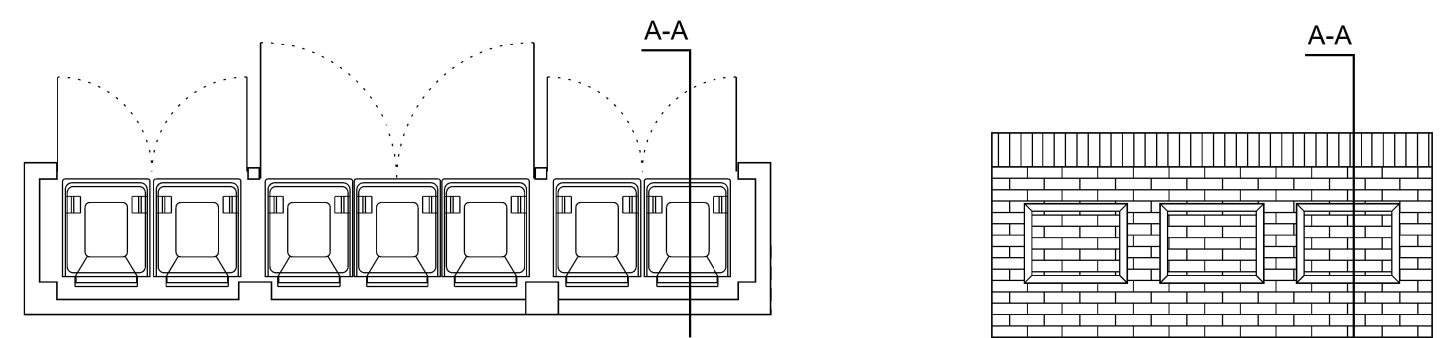


PLAN VIEW - 4 BINS ENCLOSURE

TYPICAL FRONT ELEVATION

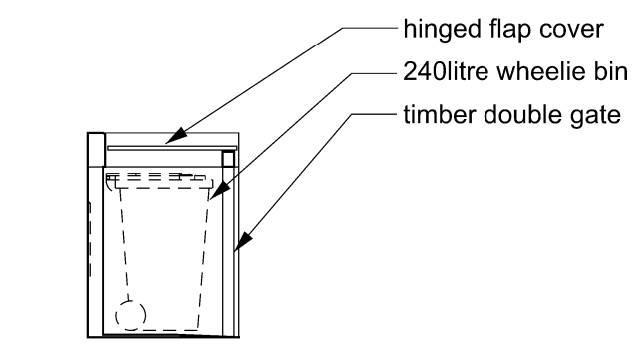


TYPICAL SIDE ELEVATION



PLAN VIEW - 4 BINS ENCLOSURE

TYPICAL REAR ELEVATION



SECTION A-A

Rev	Date	Revision
A	27.10.16	Designs revised, notes and landscaping added
Partner	Drawn	Date
CW	JKB	Dec 2015

Scale
1:100 @ A3 and 1:50 @ A3

Project
86 Fellows Road

Title
Proposed Bin Storage

Drawing No
15160-OA-B1-300-D-00

Status	Revision
PRELIMINARY	A

