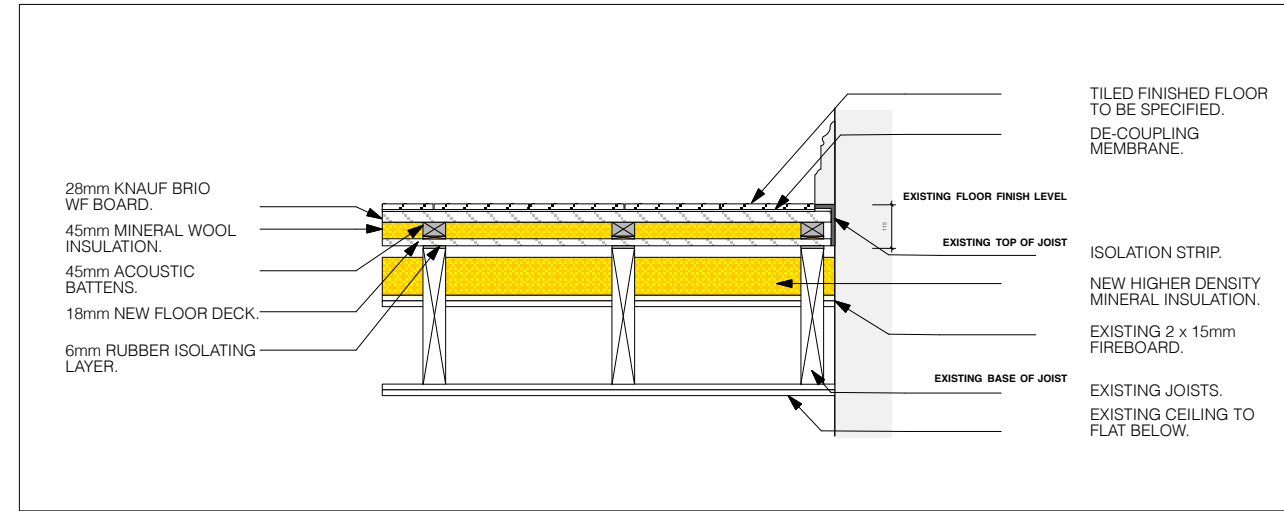


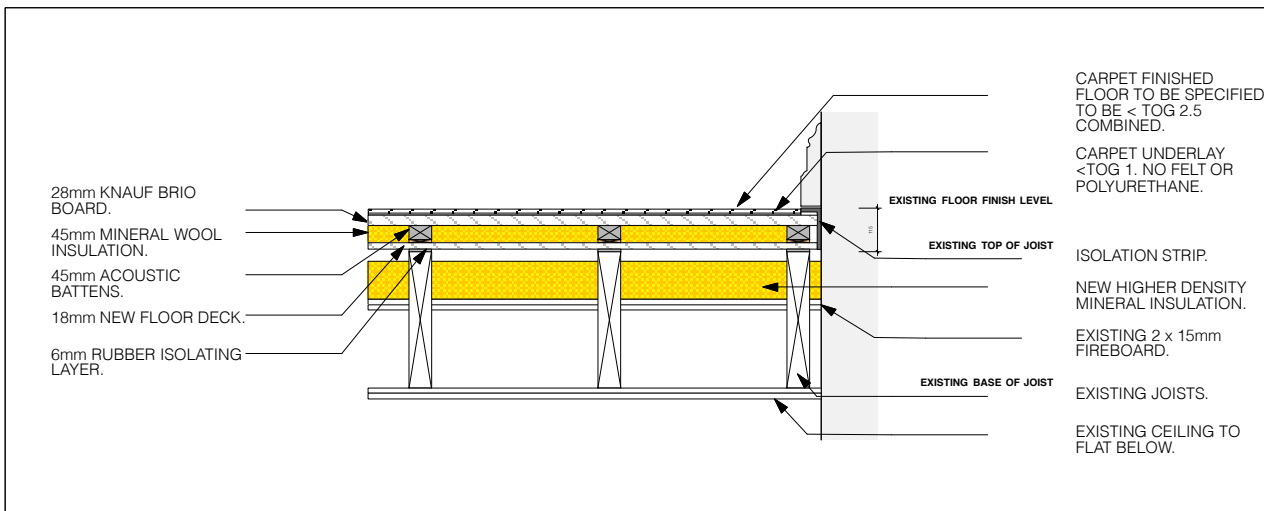
FLOOR BUILD UP: TYPE 1. (FF1)

EXISTING TIMBER JOISTS + MINERAL INSULATION WITHIN, NEW RUBBER ISOLATION STRIPS, NEW FLOOR DECK, NEW ACOUSTIC BATTENS WITH 45mm MINERAL WOOL WINTIN, NEW SECONDARY FLOOR DECK OF KNAUF BRIO WF, NEW WELDON HERRINGBONE TIMBER FLOOR.



FLOOR BUILD UP: TYPE 2. (FF2)

EXISTING TIMBER JOISTS + MINERAL INSULATION WITHIN, NEW RUBBER ISOLATION STRIPS, NEW FLOOR DECK, NEW ACOUSTIC BATTENS WITH 45mm MINERAL WOOL WINTIN, NEW SECONDARY FLOOR DECK OF KNAUF BRIO WF, NEW DE-COUPLING MEMBRANE, NEW TILED FLOOR FINISH TO BE SPECIFIED.



FLOOR BUILD UP: TYPE 3. (FF3)

EXISTING TIMBER JOISTS + MINERAL INSULATION WITHIN, NEW RUBBER ISOLATION STRIPS, NEW FLOOR DECK, NEW ACOUSTIC BATTENS WITH 45mm MINERAL WOOL WINTIN, NEW SECONDARY FLOOR DECK OF KNAUF BRIO WF, NEW CARPET + UNDERLAY TO BE SPECIFIED. MUST BE < 2.5 TOG COMBINED.



Charlton  
Brown  
Architects

Flat 8, Inverforth House, London

Proposed Floor Details

1316 / SK 03 / R 02

The Belvedere 2 Back Lane Hampstead London NW3 1HL  
T 020 7794 1234 E office@charltonbrown.com

Scale: 1: 20 @A3  
This drawing is copyright

Please follow the drawings exactly. If you find errors or omissions ask for clarification. Do not proceed without revised instructions. No dimensions to be scaled