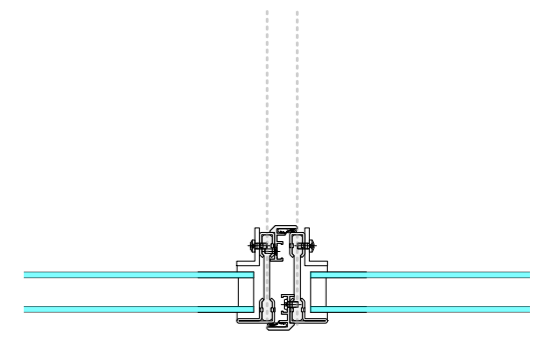
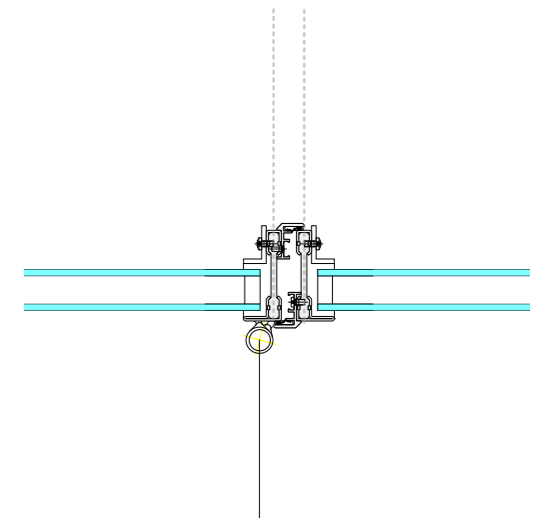


DETAIL D 01 OF GLAZING JOIN WITH EXISTING BLOCKWORK WALL.  
1:5



DETAIL D 02 OF GLAZING TO GLAZING JOIN.  
1:5



DETAIL D 03 OF GLAZING TO OUTWARD SWING DOOR.  
1:5



Charlton  
Brown  
Architects

Flat 8, Inverforth House, London

Proposed Glazed Partition Details

1316 / SK 09

GLAZED PARTITION: [D 07]

JANISOL ARTE D108 GLAZED PARTITION OR SIMILAR TO BE INSTALLED. JAMENSON SYSTEMS SUPPLIED BY SCHUCO IN THE UK.

1:20

The Belvedere 2 Back Lane Hampstead London NW3 1HL  
T 020 7794 1234 E office@charltonbrown.com

Scale: 1: 20 @A3  
This drawing is copyright

Please follow the drawings exactly. If you find errors or omissions ask for clarification. Do not proceed without revised instructions. No dimensions to be scaled