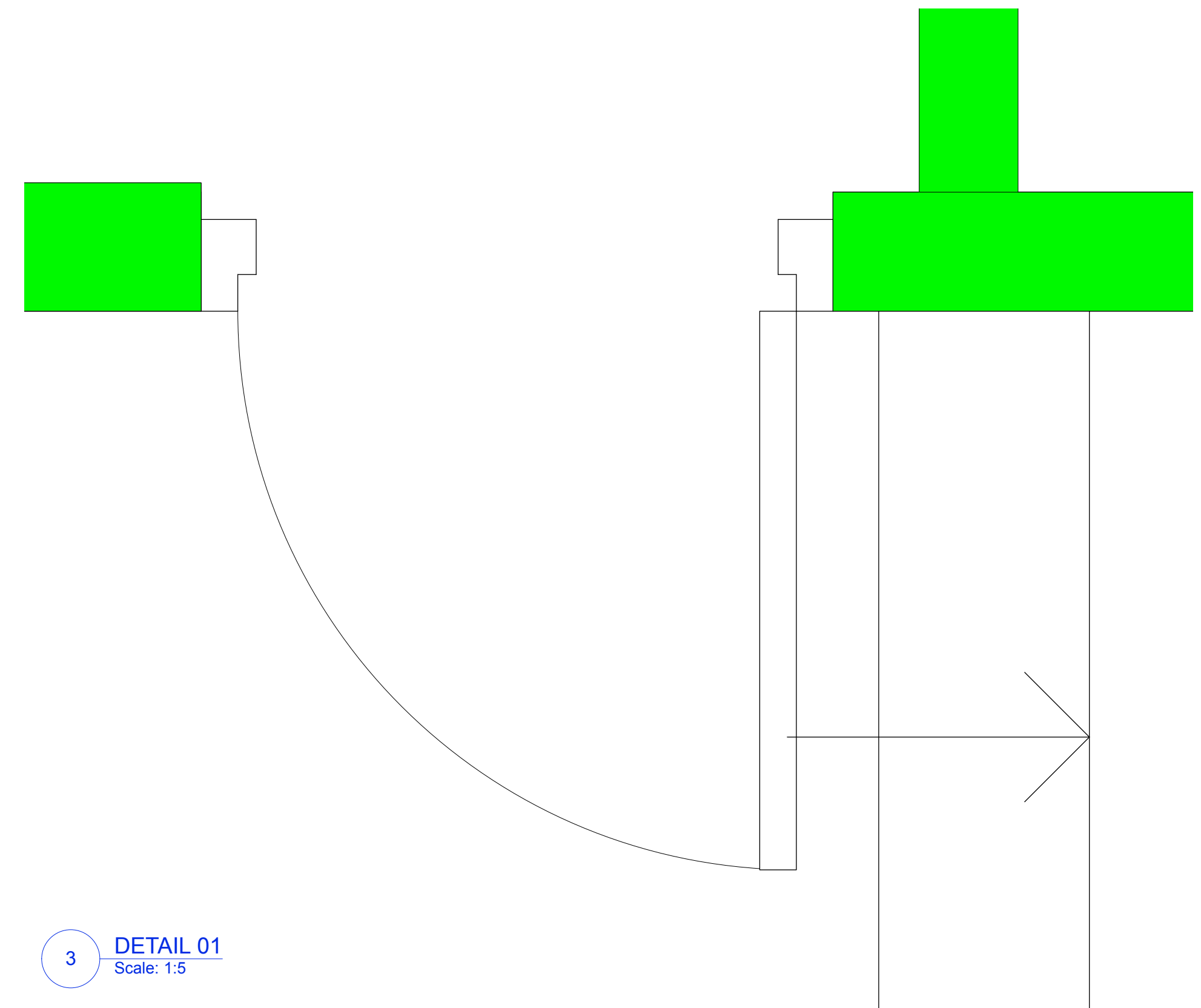
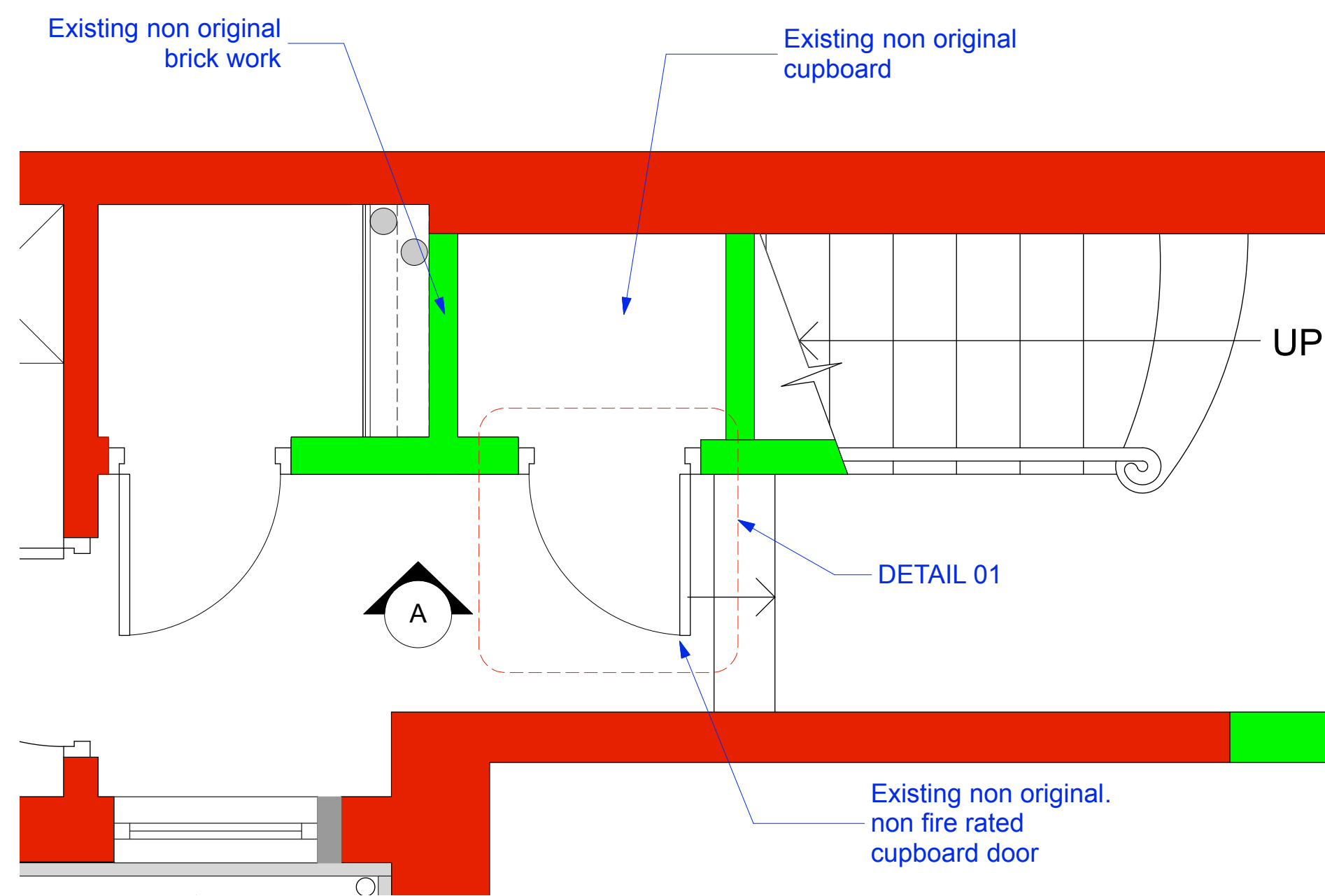
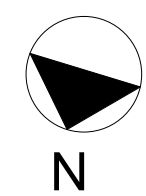


1 EXISTING ELEVATION A
Scale: 1:20



3 DETAIL 01
Scale: 1:5



2 EXISTING GROUND FLOOR PLAN
Scale: 1:20



LEGEND	
█	Existing Walls
	Existing Non Historic Walls (Post 1973) to be demolished
	New walls
	Existing Originals Historic Wall (C 1835) to be demolished
█	Existing Non Historic Walls (Post 1973)

ISSUE:	DATE:	COMMENT:
	OCT 16	Issue for planning and listed building consent
Job no.	1198	
Job title	4 OVAL ROAD	
Drawing no.	118	
Drawing title	EXISTING GROUND FLOOR HALL DOOR	
Scale	1:20	1:10
Size	A1	ML
Drawn	ML	
Revised		