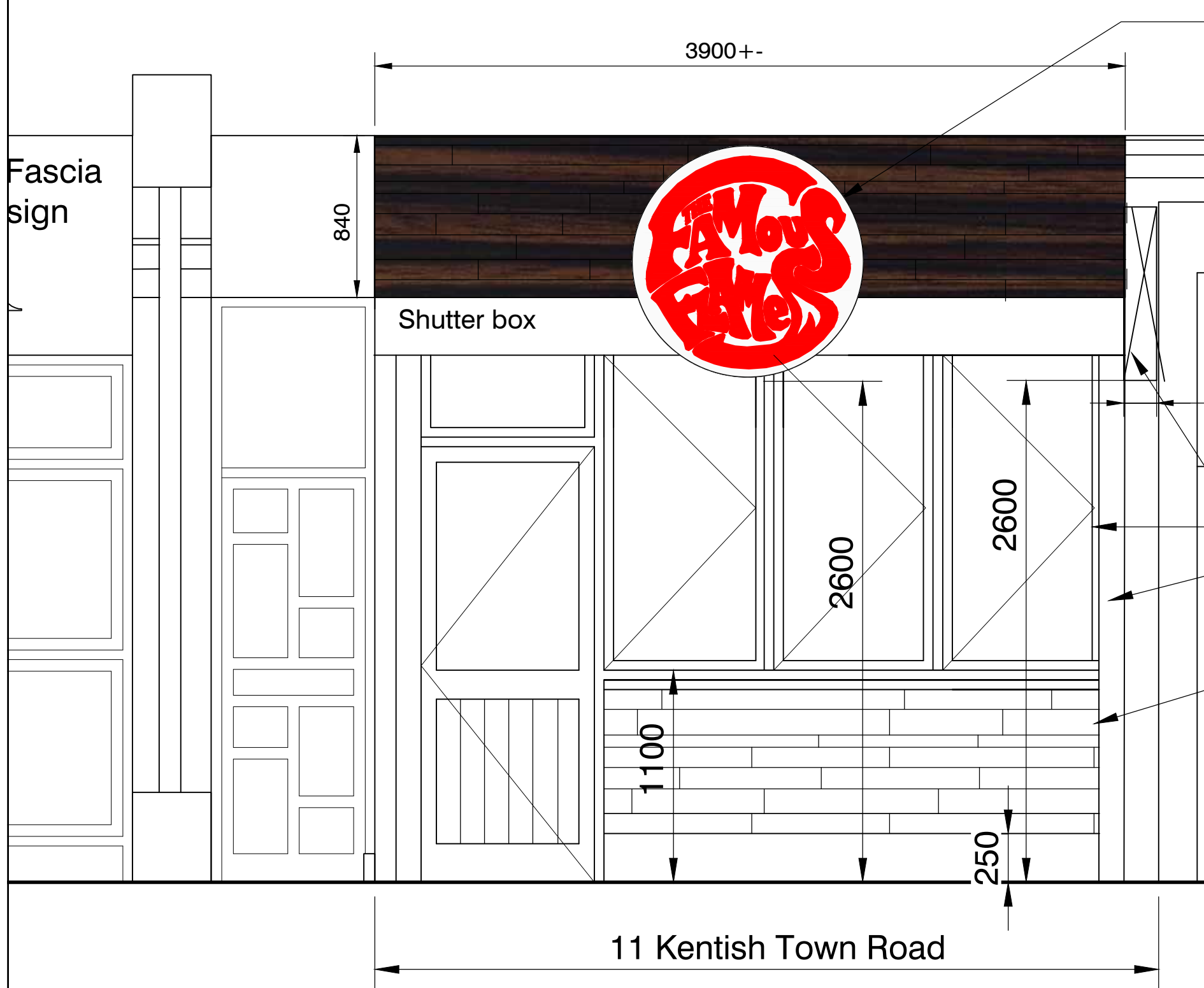


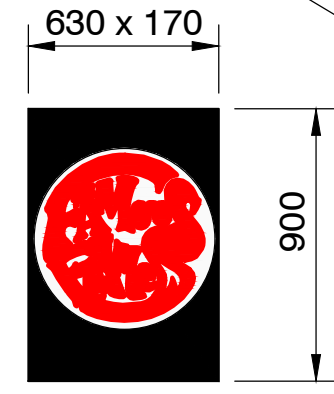
PROPOSED ELEVATIONS

Contractors are not to scale from this print or use as a template. All dimensions must be verified on site before any work is put in hand and any discrepancies must be reported to the Designer immediately. Where any variations occur between small scale and detailed drawings the detailed drawings should take precedence. Copyright of this drawing is reserved by British Design and is issued on condition that it is not copied or disclosed to any third party either wholly or in part without the consent of British Design in writing.



Elevation

1200 dia internally illuminated logo sign on dark stained timber plank fascia (250Cdm2)



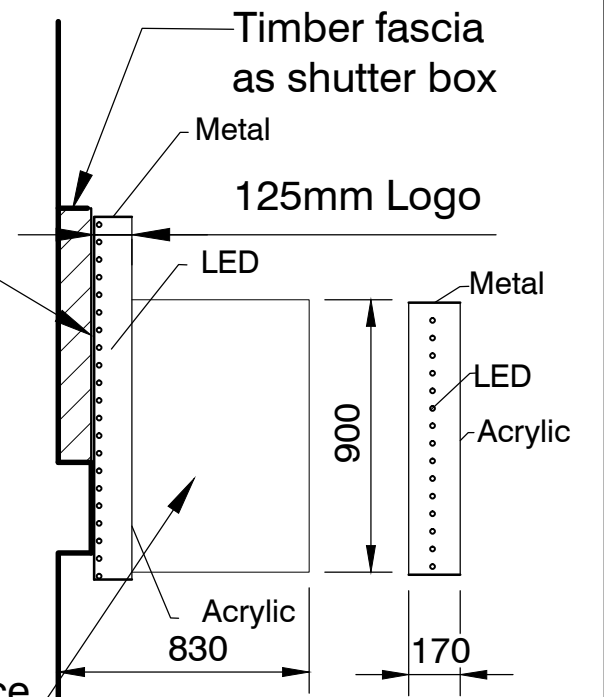
Internally illuminated projecting sign to replace existing (250 Cdm2)

Folding windows

Existing shutter box and guides painted satin black

Dark stained timber plank stallriser

Dark stained door and farmes



Section

REV. A SECTION AND ADDITIONAL NOTES bd 03-11-16

Client
SOUL FOOD ENTERPRISES

Project
**THE FAMOUS FLAMES
11 KENTISH TOWN ROAD, NW1 8NH**

Drawing Title
**PROPOSED ELEVATIONS
& SIGNAGE**

Proj. No.	Dwg. No.	Revision
BD/ 1514/16	A3/200	A
Drawn by	Scale	Date
bd	1/25 @ A3	Oct16

britsch design
Architecture/Interior Design/Project Management

Web Site: www.britsch.co.uk | Email: info@britsch.co.uk

The Annex / 33 Dillingburgh Road | 01323 419660/ Phone
Old Town/ Eastbourne/ BN20 8LU | 01323 419660/ Fax

Note: Signage the be LED illuminated

SOUL FOOD ENTERPRISES - 11 KENTISH TOWN ROAD, NW1 8NH

DESIGN