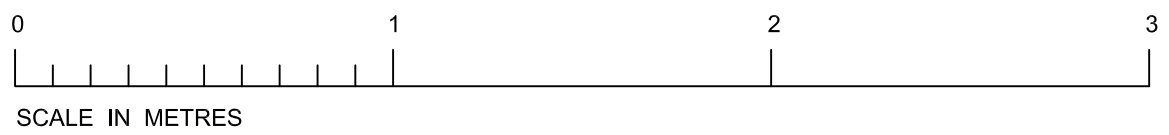


58 RUSSELL SQUARE
TOILET 1 AS EXISTING - DISABLED / LOWER GROUND FLOOR



SCALE IN METRES

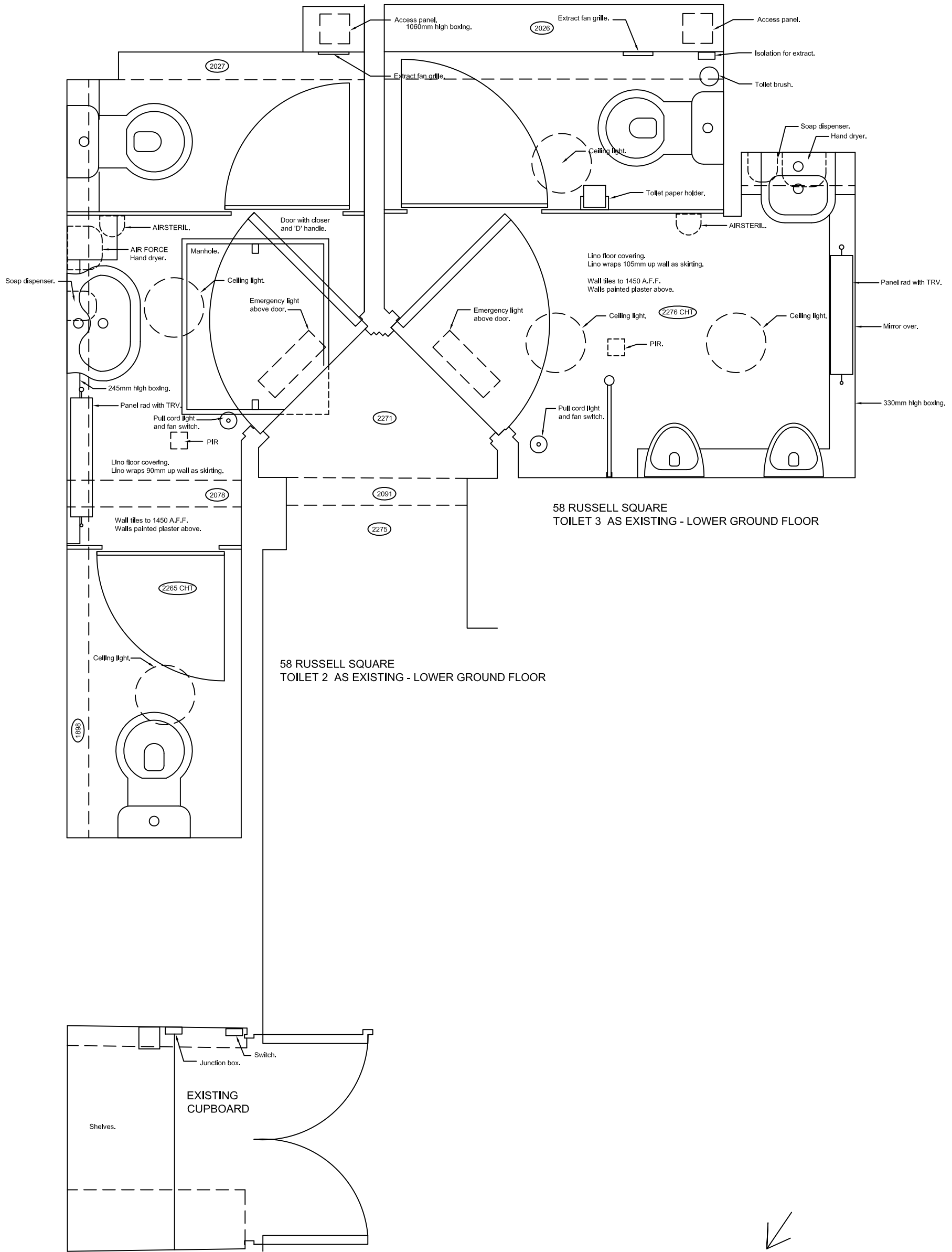
NOTES
Do not scale from this drawing.
All dimensions must be checked on site prior to commencement of construction.

STATUS
LISTED BUILDING CONSENT

PROJECT
LMS WC RENOVATION
DRAWING TITLE
TOILET 1 AS EXISTING - DISABLED / LOWER GROUND FLOOR
DATE
OCT 2016
SCALE
1:20 @A-3

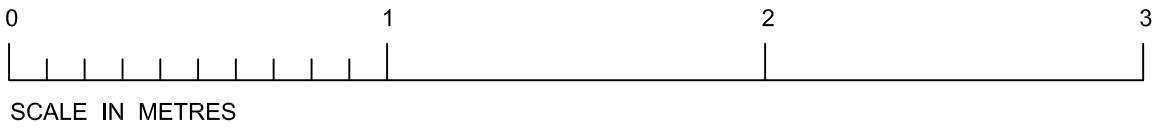
THE LONDON MATHEMATICAL SOCIETY, DE MORGAN HOUSE, 57-58 RUSSELL SQUARE, LONDON WC1B 4HS

DRAWING NO.	REVISION
01	.



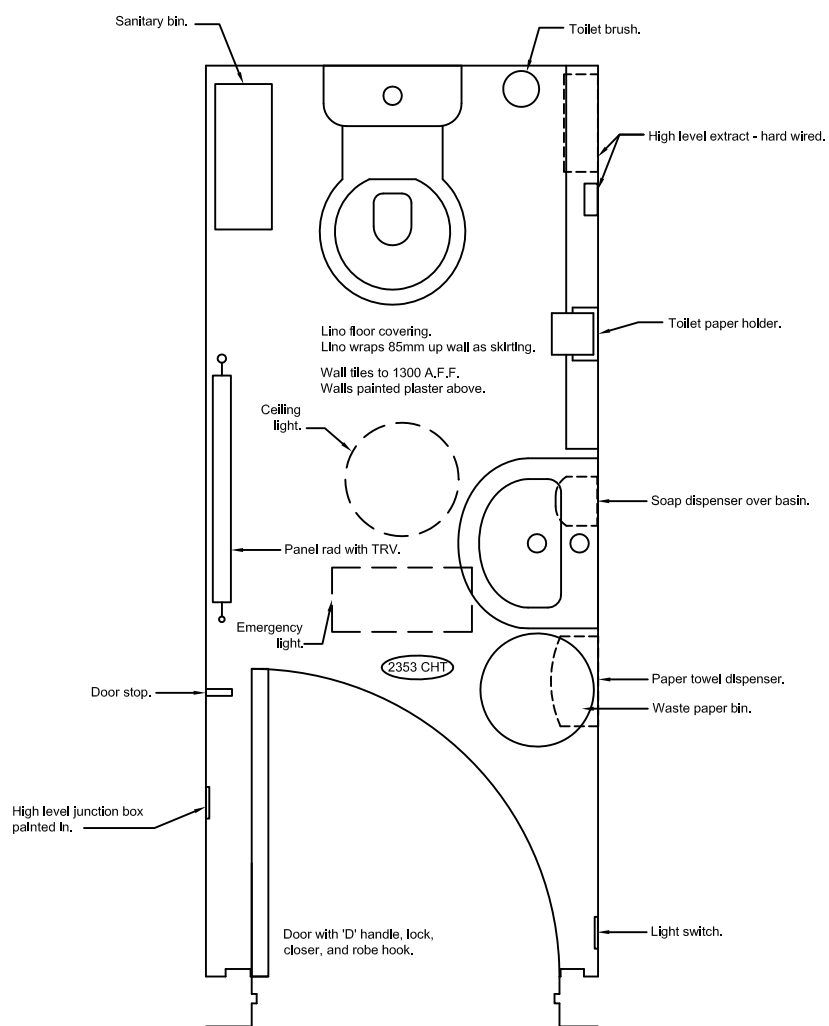
58 RUSSELL SQUARE
TOILET 3 AS EXISTING - LOWER GROUND FLOOR

58 RUSSELL SQUARE
TOILET 2 AS EXISTING - LOWER GROUND FLOOR

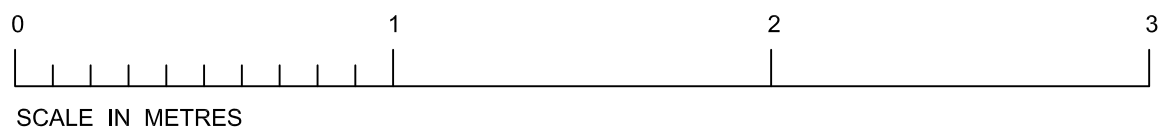


SCALE IN METRES

<p>NOTES</p> <p>Do not scale from this drawing.</p> <p>All dimensions must be checked on site prior to commencement of construction.</p>	<p>PROJECT</p> <p>LMS WC RENOVATION</p> <p>DRAWING TITLE</p> <p>TOILETS 2 + 3 AS EXISTING - LOWER GROUND FLOOR</p> <p>DATE</p> <p>OCT 2016</p> <p>SCALE</p> <p>1:20 @A-3</p>	<p>THE LONDON MATHEMATICAL SOCIETY, DE MORGAN HOUSE, 57-58 RUSSELL SQUARE, LONDON WC1B 4HS</p>
	<p>STATUS</p> <p>LISTED BUILDING CONSENT</p>	<p>DRAWING NO.</p> <p>02</p>



58 RUSSELL SQUARE
TOILET 4 AS EXISTING - GROUND FLOOR



SCALE IN METRES

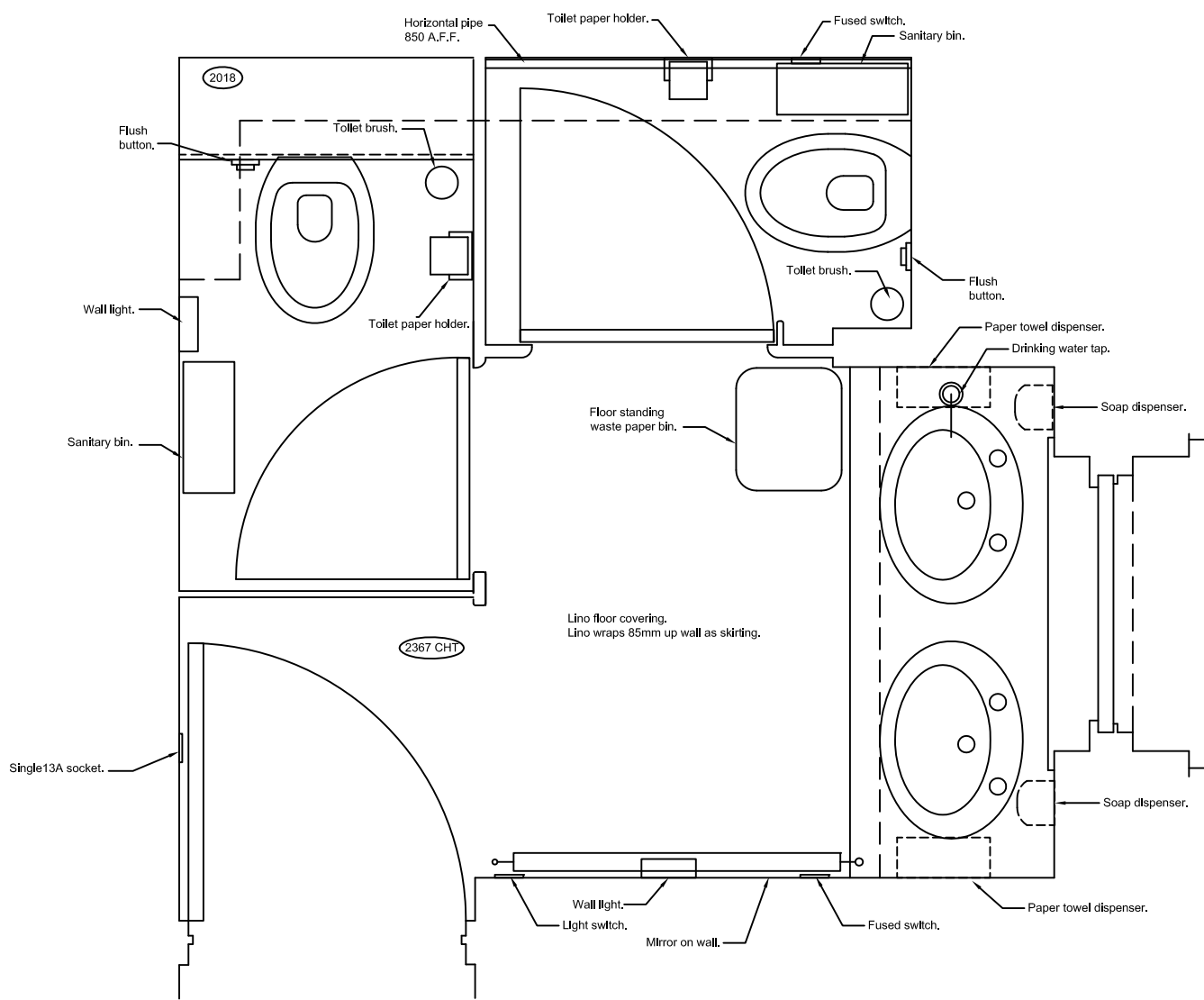
NOTES
Do not scale from this drawing.
All dimensions must be checked on site prior to commencement of construction.

STATUS
LISTED BUILDING CONSENT

PROJECT
LMS WC RENOVATION
DRAWING TITLE
TOILET 4 AS EXISTING - GROUND FLOOR
DATE
OCT 2016
SCALE
1:20 @A-3

THE LONDON MATHEMATICAL
SOCIETY, DE MORGAN HOUSE, 57-58
RUSSELL SQUARE, LONDON WC1B 4HS

DRAWING NO.	REVISION
03	.



58 RUSSELL SQUARE
TOILET 5 AS EXISTING - GROUND FLOOR



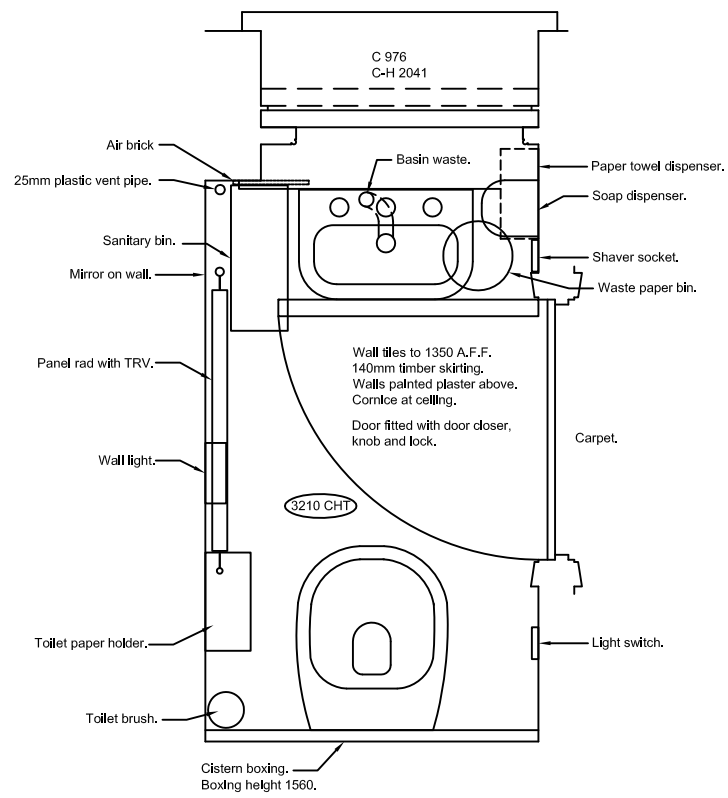
NOTES
Do not scale from this drawing.
All dimensions must be checked on site prior to commencement of construction.

STATUS
LISTED BUILDING CONSENT

PROJECT
LMS WC RENOVATION
DRAWING TITLE
TOILET 5 AS EXISTING - GROUND FLOOR
DATE
OCT 2016
SCALE
1:20 @A-3

THE LONDON MATHEMATICAL
SOCIETY, DE MORGAN HOUSE, 57-58
RUSSELL SQUARE, LONDON WC1B 4HS

DRAWING NO. 04 REVISION .



58 RUSSELL SQUARE
TOILET 6 AS EXISTING - HALF LANDING ABOVE GROUND FLOOR



SCALE IN METRES

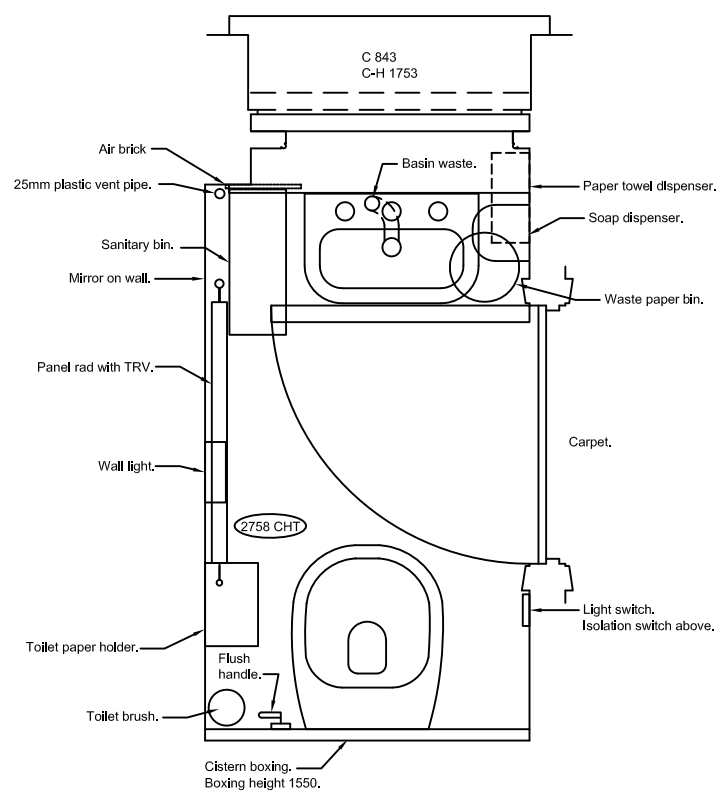
NOTES
Do not scale from this drawing.
All dimensions must be checked on site prior to commencement of construction.

STATUS
LISTED BUILDING CONSENT

PROJECT
LMS WC RENOVATION
DRAWING TITLE
TOILET 6 AS EXISTING - HALF LANDING ABOVE GROUND FLOOR
DATE
OCT 2016
SCALE
1:20 @A-3

THE LONDON MATHEMATICAL
SOCIETY, DE MORGAN HOUSE, 57-58
RUSSELL SQUARE, LONDON WC1B 4HS

DRAWING NO. 05 REVISION



58 RUSSELL SQUARE
TOILET 7 AS EXISTING - HALF LANDING ABOVE FIRST FLOOR



SCALE IN METRES

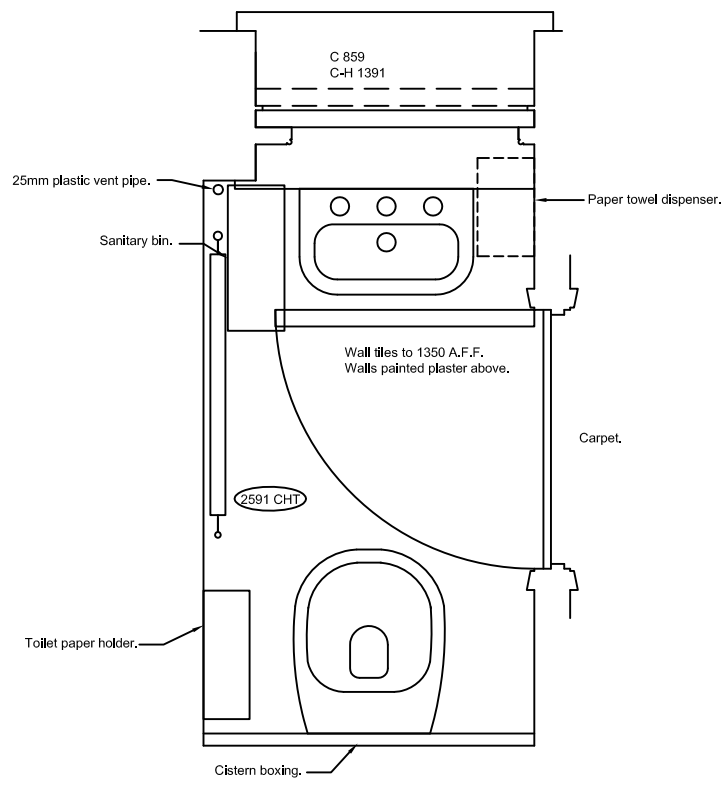
NOTES
Do not scale from this drawing.
All dimensions must be checked on site prior to commencement of construction.

STATUS
LISTED BUILDING CONSENT

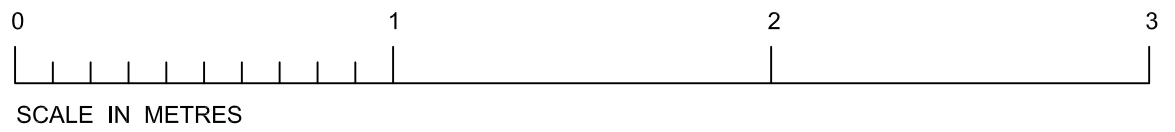
PROJECT
LMS WC RENOVATION
DRAWING TITLE
TOILET 7 AS EXISTING - HALF LANDING ABOVE FIRST FLOOR
DATE
OCT 2016
SCALE
1:20 @A-3

THE LONDON MATHEMATICAL
SOCIETY, DE MORGAN HOUSE, 57-58
RUSSELL SQUARE, LONDON WC1B 4HS

DRAWING NO.	REVISION
06	.



58 RUSSELL SQUARE
TOILET 8 AS EXISTING - HALF LANDING ABOVE SECOND FLOOR



SCALE IN METRES

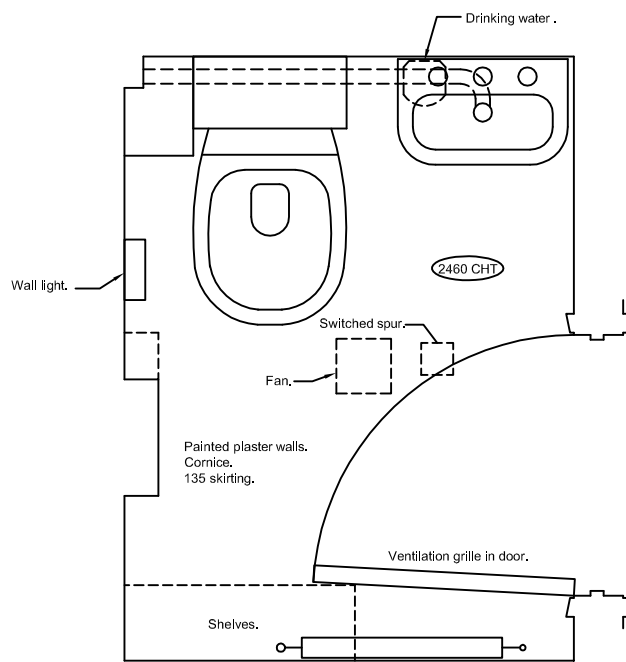
NOTES
Do not scale from this drawing.
All dimensions must be checked on site prior to commencement of construction.

STATUS
LISTED BUILDING CONSENT

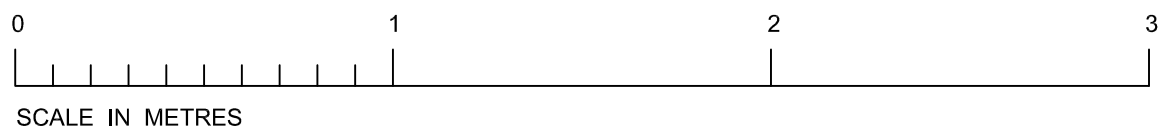
PROJECT
LMS WC RENOVATION
DRAWING TITLE
TOILET 8 AS EXISTING - HALF LANDING ABOVE SECOND FLOOR
DATE
OCT 2016
SCALE
1:20 @A-3

THE LONDON MATHEMATICAL
SOCIETY, DE MORGAN HOUSE, 57-58
RUSSELL SQUARE, LONDON WC1B 4HS

DRAWING NO.	REVISION
07	.



57 RUSSELL SQUARE
TOILET 9 AS EXISTING - FOURTH FLOOR



NOTES
Do not scale from this drawing.
All dimensions must be checked on site prior to commencement of construction.

STATUS
LISTED BUILDING CONSENT

PROJECT
LMS WC RENOVATION
DRAWING TITLE
TOILET 9 AS EXISTING - FOURTH FLOOR
DATE
OCT 2016
SCALE
1:20 @A-3

THE LONDON MATHEMATICAL
SOCIETY, DE MORGAN HOUSE, 57-58
RUSSELL SQUARE, LONDON WC1B 4HS

DRAWING NO.	REVISION
08	.