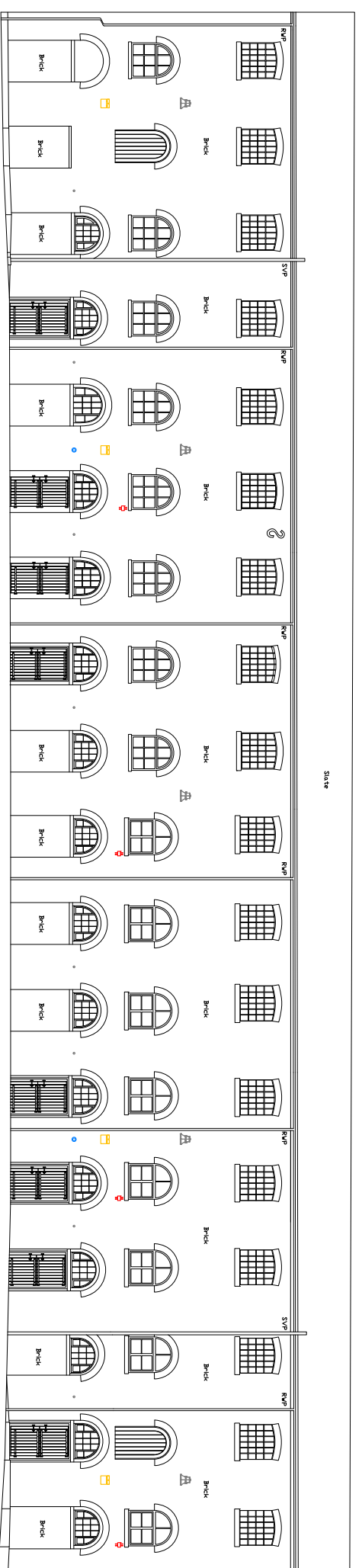
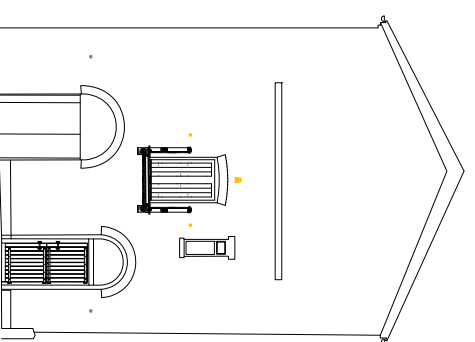


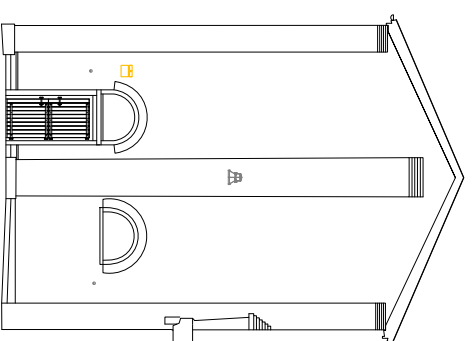
NORTH ELEVATION



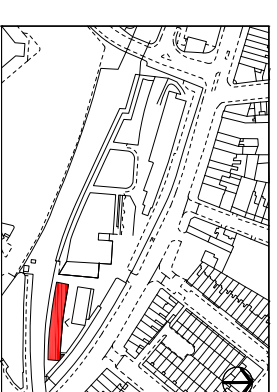
SOUTH ELEVATION



WEST ELEVATION



EAST ELEVATION



Please note that information used to produce these drawings is based on measured survey supplied by others; Stanley Sidings Ltd can not be held responsible for any inaccuracies that may exist. Please do not scale drawings. All dimensions should be verified on site.



5 CHSCO MERAKI MR72
WIFI ACCESS POINTS



4 AXIS P-3225 LVE
CCTV CAMERA



4 IGLUZZINI WOODY 1400
EXTERNAL WALL-MOUNTED FLOODLIGHT



3 IGLUZZINI TRICK 680
EXTERNAL WALL-MOUNTED WASHER

PRODUCTS TO BE SPECIFIED

**Camden Stable Market
PROVENDER STORE (BLOCK B)**

**PROPOSED ELEVATIONS SHOWING
POSITIONS OF ADDITIONAL SERVICES**

Rev A

1:200 @ A3

0m 1m 3m 5m

May 2015 SM-Additional Services-B02-A

Camden Stables Market
London
NW1
United Kingdom

STANLEY SIDINGS